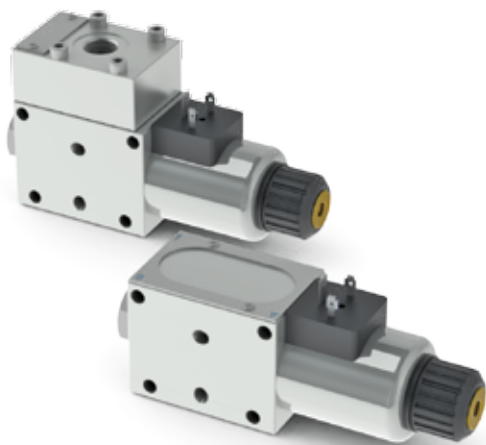


## OPEN LOOP PROPORTIONAL PRESSURE COMPENSATED BANKABLE FLOW REGULATORS



Connector to be ordered separately, see page 105.

### ORDERING CODE

<b>CXQ</b>	Open loop 3 way proportional compensated flow regulator for module units and bankable valves
<b>3</b>	Size
<b>C</b>	3 way compensation
<b>*</b>	<b>P</b> = 3 way (external excedence Line/ priority function) <b>T</b> = 3 way (internal excedence to T)
<b>*</b>	Nominal flow rates <b>H</b> = 15 l/min <b>I</b> = 25 l/min
<b>D</b>	With decompression
<b>*</b>	Max. current at solenoid (1): <b>E</b> = 2.35 A - Special coil (9 VDC) <b>F</b> = 1.76 A (12 VDC) <b>G</b> = 0.88 A (24 VDC)
<b>**</b>	Variants (1-2): <b>S1</b> = No variant <b>L7</b> = emergency lever (3) <b>P2</b> = Rotary emergency (3) <b>R5</b> = Rotary emergency 180° (3) <b>AJ</b> = Coil with AMP Junior connection (1) <b>CZ</b> = Coil with Deutsch connection DT04-2P (1)
<b>2</b>	Serial No.

- Open loop proportional flow regulator 3 way compensated with priority function.
- Regulate the flow in proportion to an applied electrical current (REM, MAV or CEPS power amplifier).
  - Flow regulation is independent both from load – POUT port – and pump flow variations. Load compensation is achieved by a spool compensator, which holds the pressure drop constant across the proportional spool.
  - Emergency control.
  - Coils protection IP66
  - Standard connectors DIN 43650 ISO 4400, AMP Junior, and Deutsch
  - Regulated flow rate 15 / 20 l/min
  - Cast iron zinc plated body.

### FEATURES

Max. operating pressure ports P <sub>in</sub> / P <sub>out</sub> / E	250 bar
Max. operating pressure ports T (Pressure dynamic allowed for 2 millions of cycles)	250 bar
Regulated flow rate	15 / 25 l/min
Decompression drain flow	max 0.7 l/min
Relative duty cycle	Continuous 100% ED
Type of protection (Hirschmann coil)	IP 66
Flow rate gain	See diagram "Input signal flow"
Fluid viscosity	10 ÷ 500 mm <sup>2</sup> /s
Fluid temperature	-20°C ÷ 75°C
Ambient temperature	-20°C ÷ 60°C
Max. contamination level (filter β <sub>10</sub> ≥ 75)	ISO 4406:1999: class 19/17/14 NAS 1638: class 8
Weight version CXQ3CP..	2.25 kg
Weight version CXQ3CT..	1.75 kg

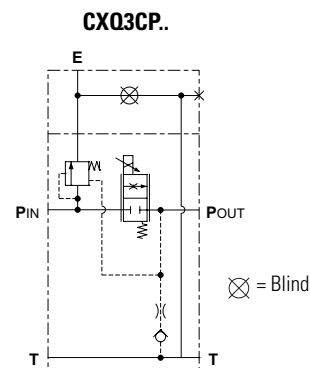
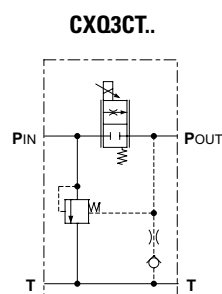
Solenoid	@ 9Vdc	@ 12Vdc	@ 24Vdc
Current supply	PWM (pulse width modulation)		
Max. current solenoid	2.35 A	1.76 A	0.88 A
Solenoid coil resistance at 25°C (77°F)	2.25 Ohm	4.0 Ohm	16.0 Ohm
PWM or superimposed dither frequency	100 ÷ 150 Hz		

Operating specifications are valid for fluid with 46 mm<sup>2</sup>/s viscosity at 40°C, using the specified Dana Brevini electronic control units.

### Accessories

REMSRA..	Card type control for single solenoid
CEPS...	Electronic amplifier plug version for single solenoid
MAV	Electronic module for integrate control of proportional valves and ON/OFF
JMPEIOM700101	Joystick with standard handle
JMPIUOM700138	Joystick Person present handle

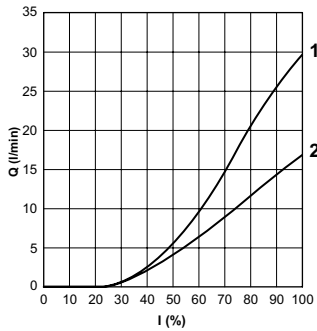
### HYDRAULIC SYMBOLS



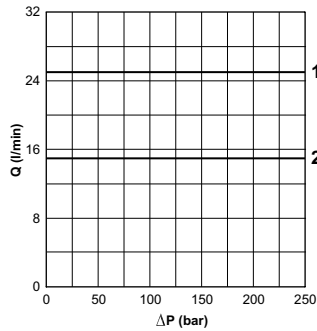
(1) Coils technical data, see page 111.  
Voltage codes are not stamped on the plate, their are readable on the coils  
(2) Connector to be ordered separately, see page 105;  
(3) Emergency (see page 46)

## DIAGRAMS

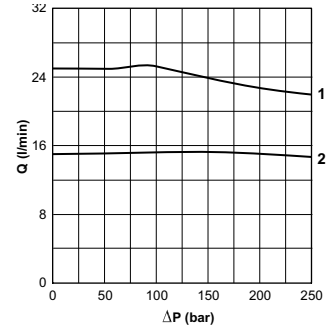
**INPUT SIGNAL FLOW**



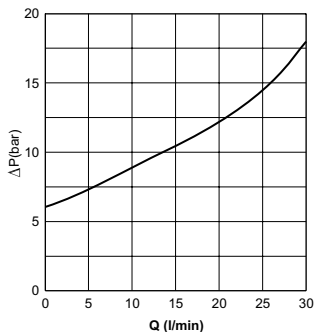
**FLOW RATE BACK PRESSURE ON PRIORITY LINE**



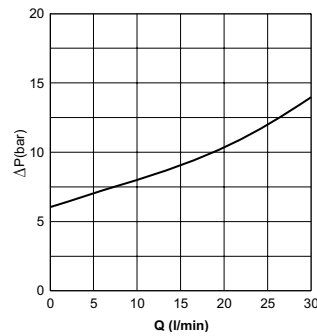
**FLOW RATE BACK PRESSURE ON SECONDARY LINE**



**ΔP PUMP FLOW P<sub>IN</sub> → T  
CXQ3CT ...**



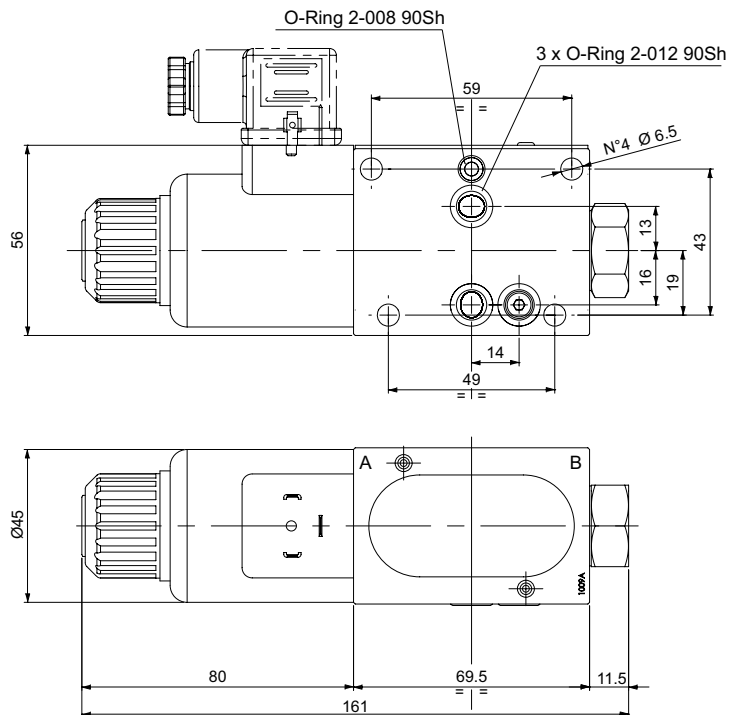
**ΔP PUMP FLOW P<sub>IN</sub> → T  
CXQ3CP ...**



1= CXQ3C\*I...  
2= CXQ3C\*H..

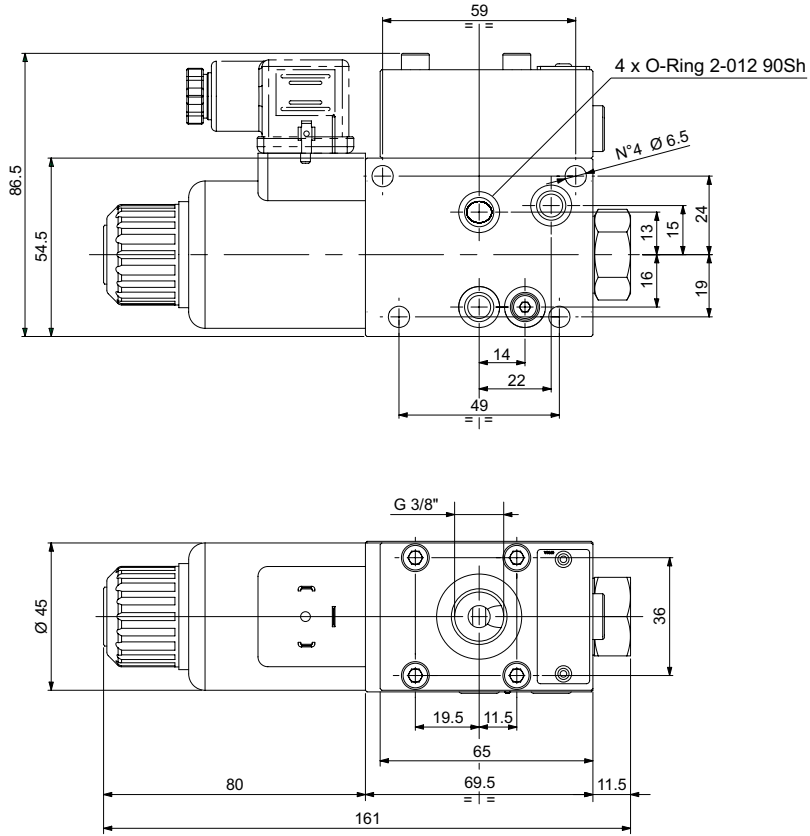
The fluid used is a mineral based oil with a viscosity of 46 mm<sup>2</sup>/s at 40°C.  
The tests have been carried out at with a fluid of a 40°C.

## OVERALL DIMENSIONS CXQ3CT ...



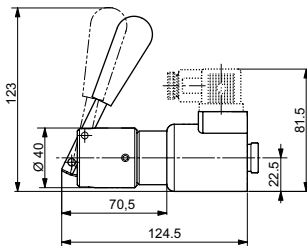
## OVERALL DIMENSIONS CXQ3CP ...

1

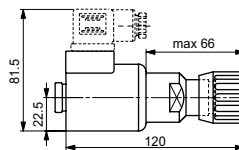


## VARIANTS

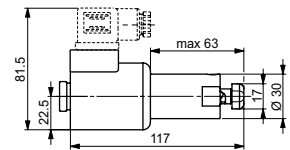
**"L7"**  
Emergency lever



**"P2"**  
Rotary emergency



**"R5"**  
Rotary emergency 180°



Emergency P2 and P5, tightening torque max. 6÷9 Nm (CH n. 22)