

500A-GKF EXCELLENT SERIES



Volume reduction of
glass bottles by 80%

The 550A-GKF facilitates the heavy handling and collection of empty bottles and other glass containers by grinding them into small particles such as gravel and sand. Many kitchens, bars and galleys experience problems with large volumes of empty bottles taking up valuable space and time consuming, expensive collection. Cutting the initial volume by as much as 80% means a significant reduction of storage space and less frequent collections.

The grinding unit is mounted in a stainless steel EN 1.4301 (AISI304) cabinet, complying with the requirements for hygiene in kitchen areas. The long life expectancy and operational reliability are due to the choice of high-quality components: grinder of specially alloyed steel, motor of protection class IP55, unique and well-proven sealing design between grinder and motor to name a few.

The ground particles have no sharp edges and are collected in a plastic bag in front of the crusher

under the inlet tube. Bottles are fed one by one continuously; any number of bottles can be ground as long as the collection bag is replaced when filled. With a motor power of 1,25kW the machine handles approximately 10-20 bottles per minute, depending upon size.

An automatic dust collector collects all glass dust that may result when grinding.

The 550A-GKF is easy to install and delivered ready for connection to existing incoming electricity. Its flexibility also allows for installation on a lower floor level, close to the point of waste collection area, and fed with empty bottles by a tube from the bar, kitchen or galley above.

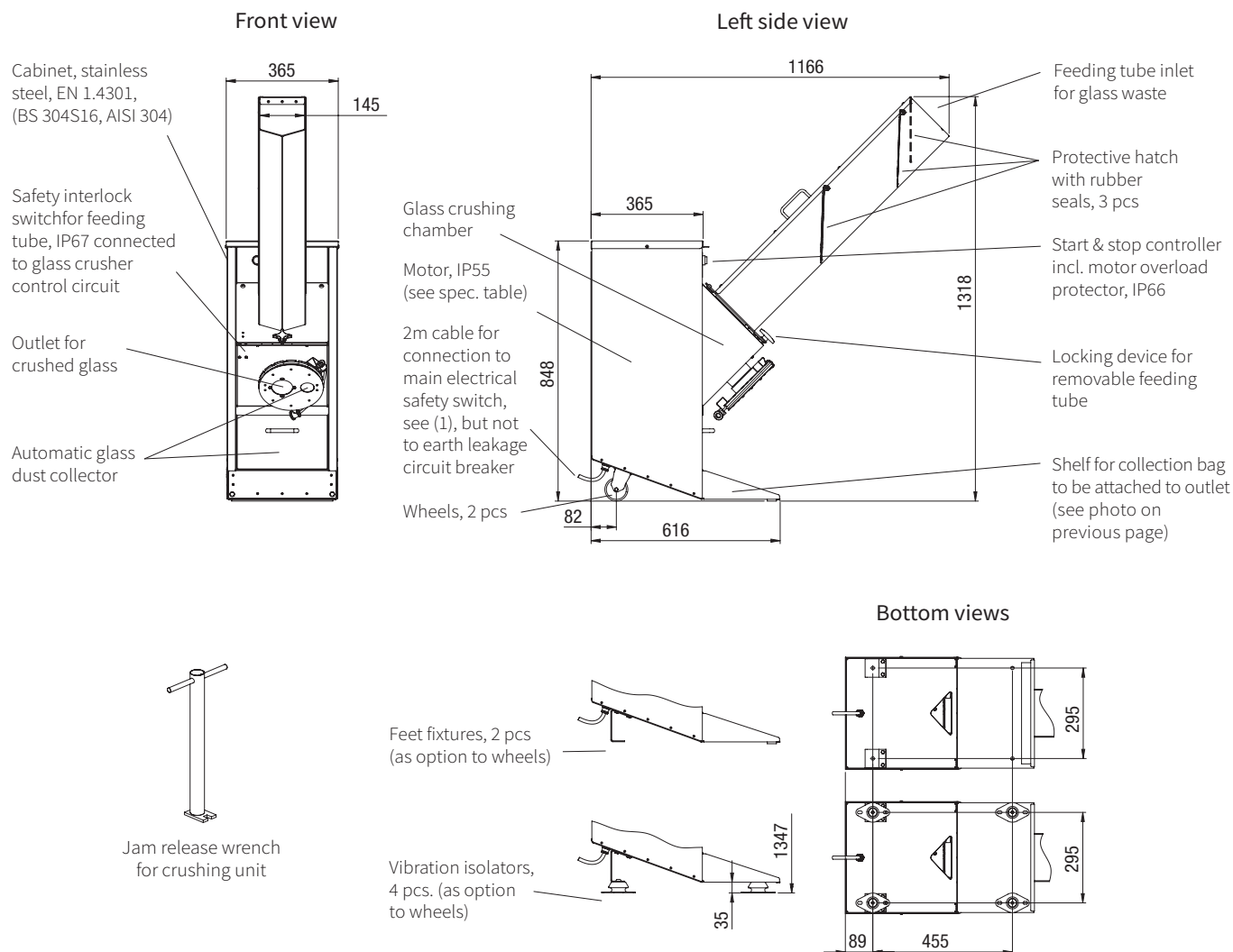
The machine fulfills all the relevant provisions of the Machinery Directive 2006/42/EC, Low voltage Directive 2014/35/EU and the EMC Directive 2014/30/EU, and is CE-marked accordingly.

Disperator AB

Mälärvägen 9, SE-141 71 Segeltorp, Sweden
Tel +46-8-724 01 60
info@disperator.se, www.disperator.se



500A-GKF EXCELLENT SERIES



All measurements in mm

Technical specification	550A-GKF
Normal capacity	10-20 bottles per minute depending on bottle size
Electrical power, kW	1,25
Rated current, A to be set on the glass crusher motor protector for the following voltages:	
230V / 3ph. / 50Hz	6,4
400V / 3ph. / 50Hz	3,7
415V / 3ph. / 50Hz	3,7
440V / 3ph. / 60Hz	3,2
Other voltages available	
Control voltage	Marine installation the same as motor voltage. Land installation 230V / 50Hz
Fuse rating, slow	16 A
Characteristic for automatic fuse	D (slow)
Gross / net weight, kg	138 / 102
Transport volume, m ³	0,9

- (1) Installation material needed but not incl. in standard delivery is main electrical safety switch for incoming electricity. Can be ordered from DISPERATOR.
- (2) 10 pcs. collection bags, 1 pc. elastic fixing cord and 1pc. dust collector bag included in delivery.
- (3) User manual with installation and service instructions, electrical wiring diagram, laminated operating instructions and laminated safety instructions included in delivery.

Disperator AB

Mälärvägen 9, SE-141 71 Segeltorp, Sweden
 Tel +46-8-724 01 60
 info@disperator.se, www.disperator.se