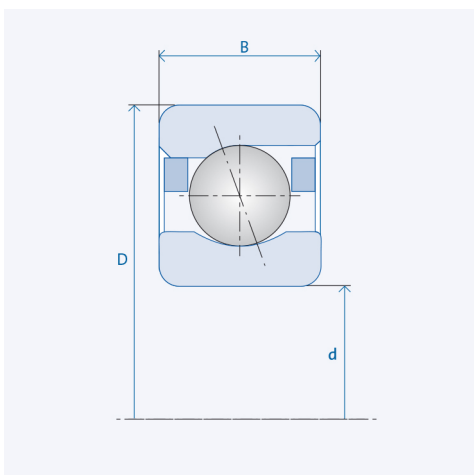


Spindle ball bearings (HY)* SM 61907 C



Precision class P4 / ABEC7

Components

Bearing designation:	(HY)* SM 61907 C
Bearing design:	SM
Series / size:	61907
Ball material:	Steel 100Cr6
Ball material HY :	Ceramic Si3N4
Cage:	TA (TXM available upon request)
Precision:	P4 (HG, UP, P2 upon request)
Main dimensions [d x D x B]:	35 x 55 x 10 mm

Technical data (Standard bearings)

Static load capacity C_0 :	4750
Dynamic load capacity C:	8000
Speed limit n_{Fett} :	33000
Speed limit n_{Oj} :	44000

Technical data (Hybrid bearings)*

Static load capacity C_{0HY} :	3350
Dynamic load capacity C_{HY} :	8000
Speed limit n_{Fett} :	41250
Speed limit n_{Oj} :	55000

Pre-tension

Light (L):	40 N
Axial rigidity (C_{ax}):	34 N/ μ m
Medium (M):	120 N
Axial rigidity (C_{ax}):	52 N/ μ m
Heavy (S):	240 N
Axial rigidity (C_{ax}):	69 N/ μ m
Spring preload (Ff):	275 N

The given speed limits apply to individual bearings with spring preload. Correction factors must be considered for all properties which deviate from this.

* All ball bearings are also available as hybrid ball bearings (HY).