



Product name

Double-edged mechanic nut splitter

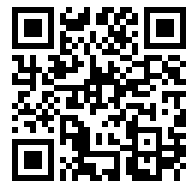
Double-edged models exerting twice the normal splitting force on irretrievable nuts in quality classes 5, 6 and 8.










Art. No. 54-2

Series 54

EAN 4021176170614



	Technical attribute	Metric	Imperial
	Nut size	10 - 27 mm	3/8 - 1 1/16 inch
	Cutting width of chisel	14 mm	
	Length without spindle	109 mm	
	Hexagon drive (male)	17 mm	
	Weight	0.48 kg	
	Cutting width of chisel (inch)		5/8 inch
	Length without spindle (inch)		4 5/16 inch



Technologies



PULLBACK

Automatic retraction of the splitting chisel via actuator bolt.



Spare part

Art. No.	Product name
54-2-M	New splitting chisels for nut splitter

Part of

Art. No.	Product name
WT-005	Puller product range - automotive
K-54-B	Mechanical nut splitter set
EVLW-2-KFZ	Merchandiser, automotiv pullers
EVLW-2-NFZ	Merchandiser, automotive pullers / commercial vehicle / agricultural machinery

Spare part of

Art. No.	Product name
WT-005	Puller product range - automotive



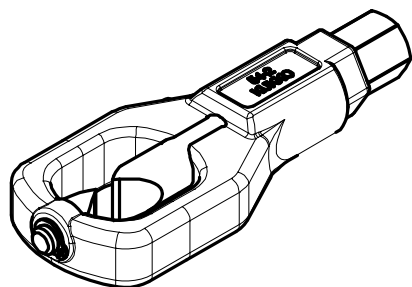
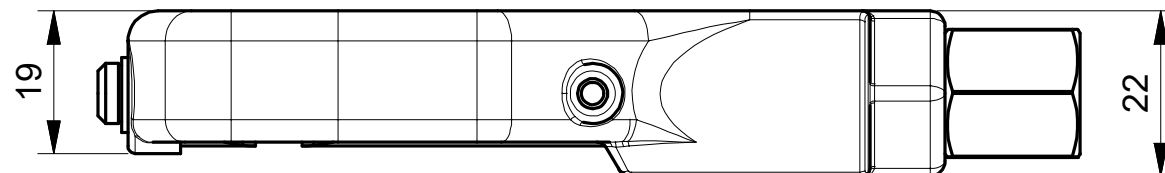
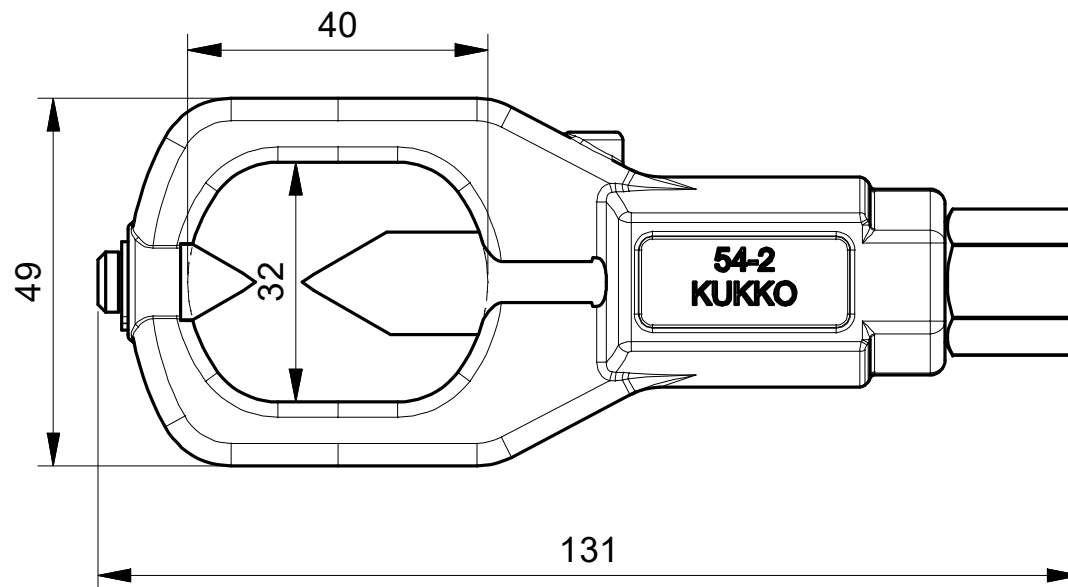
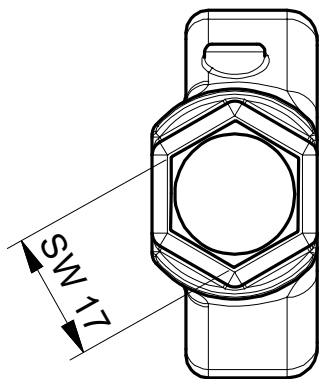
Also included in

Art. No.

Product name

WT-005

Puller product range - automotive



 Kleinbongartz & Kaiser oHG Werkzeugfabrik Hilden - Germany	Dokumentname:		Toleranz: DIN ISO 2768-m	
	Dokumentbeschreibung:		Material:	
	Erstellt von: Schultes	Erstellungsdatum: 04/10/2019	Maßstab: 1:1	
Teilbeschreibung: Zweischneidiger mechanischer Mutternsprenger			Wärmebehandlung / Härte:	
			Oberflächenbehandlung:	
Artikelnummer / ZNR.: 54-2	Dokumentversion: -		Schutzvermerk ISO 16016 beachten	