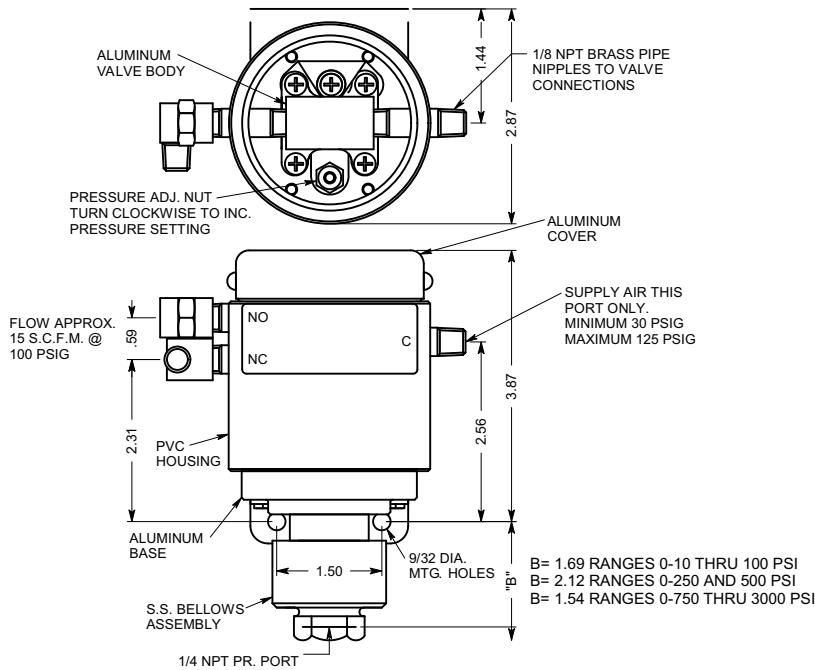




# MODEL SERIES 2PV-MVB Pneumatic Valve Actuator Bellows Sensing Element

- Range 10-3000 psi
- Snap-acting 3-way valve
- High max. pressure available
- Various wetted materials available



SHOWN WITHOUT HOUSING

## SPECIFICATIONS

### PHYSICAL DATA (Standard)

-see page 2 for special features

**Maximum Ambient Temperature:** 180°F

**Minimum Ambient Temperature:** 0°F

**Pressure Connection:** 1/4 NPT

**Housing:** PVC housing with aluminum components

**Deadband:** Fixed

**Weight:** Approx. 1.5 lbs.

**Port Material:** All Welded 316SS

**Bellows Material:** All Welded 316SS

**Set Point Adjustment:** Screw type, field adjustable

**Valve:** Model LTV-5 Three Way Block-and-Bleed

**Valve Connections:** 1/8 NPT

**Valve Flow Capacity:** 15 SCFM at 100 PSI

**Valve Pilot Pressure:** 30 to 125 PSIG

## GENERAL DESCRIPTION

- PVC housing with aluminum components
- Employs a 3-way block-and-bleed valve that is actuated by increase/decrease of pressure at the sensing element
- Vacuum-sensing element with Buna-N elastomer diaphragm
- Flexible and compact footprint accommodates a variety of sensing-element arrangements: diaphragm, bellows, and piston models can be configured for pressure, vacuum, and differential applications
- All-welded 316 S/S bellows

**SOLON MANUFACTURING COMPANY**

425 Center St. | Chardon, OH 44024

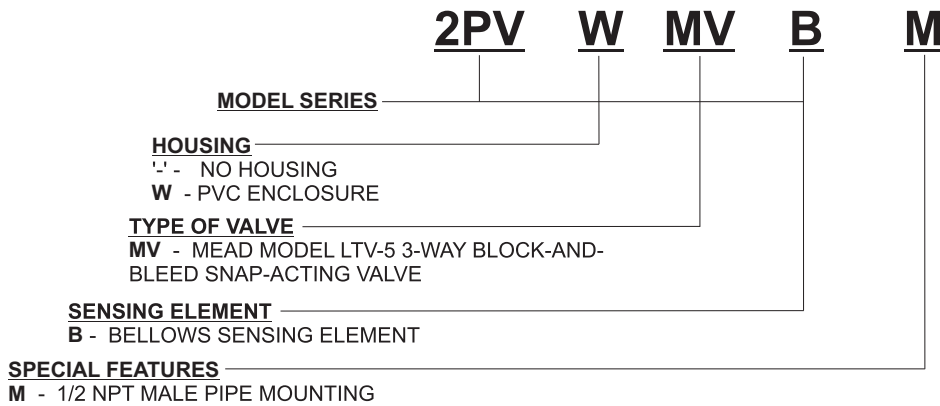
440.286.7149 | 800.323.9717 | Fax 440.286.9047

solon@solonmfg.com | www.solonmfg.com

# ORDERING A SWITCH

# MODEL SERIES 2PV-MVB Pneumatic Valve Actuator Bellows Sensing Element

## 1. SPECIFY A MODEL NUMBER



## 2. SPECIFY A RANGE

ADJUST. PRESSURE RANGE	VALVE DEADBAND	MAXIMUM WORKING PRESSURE
0-10 PSI	.80 PSI	300 PSI
0-20 PSI	.90 PSI	300 PSI
0-50 PSI	1.0 PSI	300 PSI
0-100 PSI	1.5 PSI	300 PSI
0-250 PSI	6 PSI	1500 PSI
0-500 PSI	8 PSI	1500 PSI
0-750 PSI	16 PSI	2500 PSI
0-1000 PSI	19 PSI	2500 PSI
0-2000 PS	60 PSI	5000 PSI
0-3000 PSI	66 PSI	5000 PSI

## DEADBAND NOTES

The deadbands listed in the tables are the nominal valve differentials when the valve is operated at 100 PSIG. Deadbands are decreased as pilot pressure is reduced. Contact factory for more detailed information on deadbands.

## INSTALLATION NOTES

**Orientation** - The 2PV-MVB will operate satisfactorily in any position, however, mounting the device vertically will allow the easiest adjustability and reduce sediment in the pressure chamber.

**Valve Connections** - Valve port connections are 1/8 NPT and are marked C, NO, NC. Pilot pressure should be supplied at the common (C) port. Minimum 30 PSI is required to operate valve.

**Pressure Connection** - 1/4 NPT female is standard. 1/2 NPT male is available ("M" option).

**Adjustment** - Turn pressure adjustment nut(s) clockwise to increase setpoint. Installation & calibration instructions are provided. Factory setting is available at no charge.

## Valve Schematic

