

STUART

Aquastor Sigma

The Aquastor Sigma range of unvented indirect hot water cylinders are ideal for high demand applications and offer an all stainless steel construction to the highest standards, with a maximum operating pressure of 4.5 bar.

The Sigma range has been designed with higher demand flow rates in mind and features 1" BSP connections.

Available in a range of cylinder sizes with an ErP B classification.



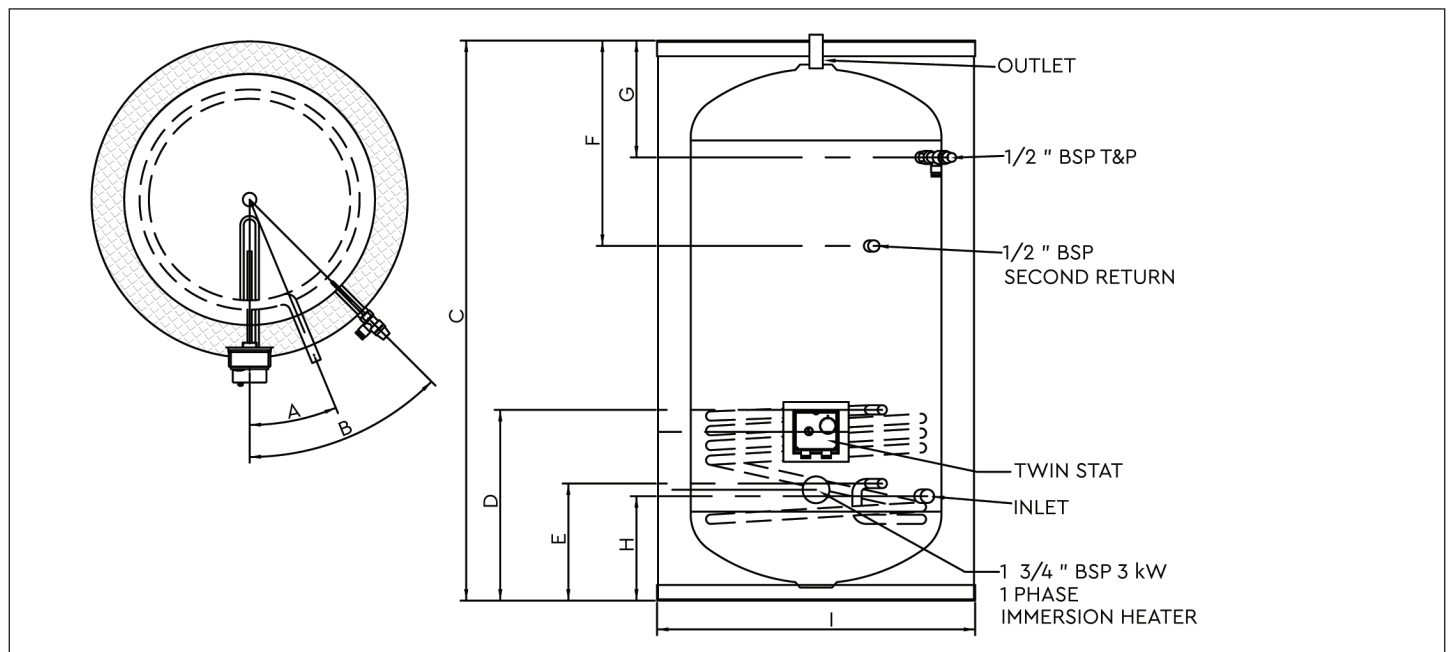
Features

- Unvented 305 – 500 litre indirect cylinder with external expansion
- 20.0 kW – 27.0 kW high performance finned coil
- Duplex stainless steel inner cylinder
- Minimal heat loss
- 3 kW immersion heater with thermostat and cut-out
- Inlet diffuser
- High flow rates
- Balanced hot and cold water
- Factory fitted with 7 bar/90 °C pressure and temperature relief valve
- Approvals: BBA, CE, KIWA, ISO, WRAS, WRC
- Internal cylinder 25 years, all other components 2 years

Application

- Domestic applications requiring a high performance unvented hot water cylinder with capacities up to 500 litres
- 1" hot and cold water connections
- ½" temperature and pressure relief valve
- 4.5 bar maximum operating pressure
- 3 kW immersion heater
- 22 mm high performance heating coil

Model		SAS 305 44789	SAS 400 44856	SAS 500 44790
General	Guarantee	2 years, (internal cylinder 25 years)		
	WRAS approval	1410052		
	Approvals	BBA, CE, WRAS, KIWA, ISO, WRC		
Features	Capacity - total	305 litres	400 litres	500 litres
	Coils	Single		
	Coil Rating	20.0 kW	27.0 kW	
	ErP class	C	B	
	External expansion vessel size	50 litres	80 litres	100 litres
Performance	Standing heat loss @ 65 °C	1.77 kW/24h	1.73 kW/24h	1.95 kW/24h
	Reheat time after 70% draw off	34 mins	40 mins	55 mins
	Time to heat from cold to 65 °C	46 mins	57 mins	71 mins
	Maximum operating pressure	4.5 bar		
Materials	Inner cylinder	Duplex stainless steel		
	Outer casing	P200 Plastisol		
Connections	Connection - cold water feed	1 " BSP M		
	Connection - DHW	1 " BSP M		
	Connection - primary	22 mm		
Electrical	Power supply (Vac/Ph/Hz)	230 V a.c. / 1 / 50 Hz		
	Power consumption - P1	3 kW		
Physical	Width	576 mm	755 mm	
	Depth	576 mm	755 mm	
	Height	2028 mm	1640 mm	2000 mm
	Weight - including fittings	60 Kg	68 Kg	78 Kg
	Weight - filled	365 Kg	468 Kg	578 Kg



Model	Dim. 'A' (deg)	Dim. 'B' (deg)	Dim. 'C'	Dim. 'D'	Dim. 'E'	Dim. 'F'	Dim. 'G'	Dim. 'H'	Dim. 'I' (dia)
SAS 305	37	62	2028 mm	476 mm	213 mm	610 mm	222 mm	182 mm	576 mm
SAS 400	22.5	45	1640 mm	523 mm	278 mm	487 mm	277 mm	248 mm	755 mm
SAS 500	22.5	45	2000 mm	523 mm	278 mm	558 mm	277 mm	248 mm	755 mm

Stuart Turner Limited reserves the right to amend specifications without notice.

Stuart Turner Ltd, Henley-on-Thames, Oxfordshire RG9 2AD Tel: +44 (0) 1491 572655 Fax: +44 (0) 1491 573704
 TechAssist Helpline +44 (0) 800 31 969 80
www.stuart-turner.co.uk

Pt. No. 20843 Issue 1320/1-03