

M4

Analog Meter

**Montalvo M4 Analog Meter**

The Montalvo M4 is a remote readout offering the stability, precision and high visibility indication of an analog meter. It works in conjunction with our NEW S4 Digital controller or our NEW A4 load cell amplifier to indicate web tension. It also works with our M series load cell amplifier modules, HD series controllers and other devices as indication feedback to a machine operator. The M4 is available with a standard scale or custom scale at no charge and is supplied with a connecting cable.

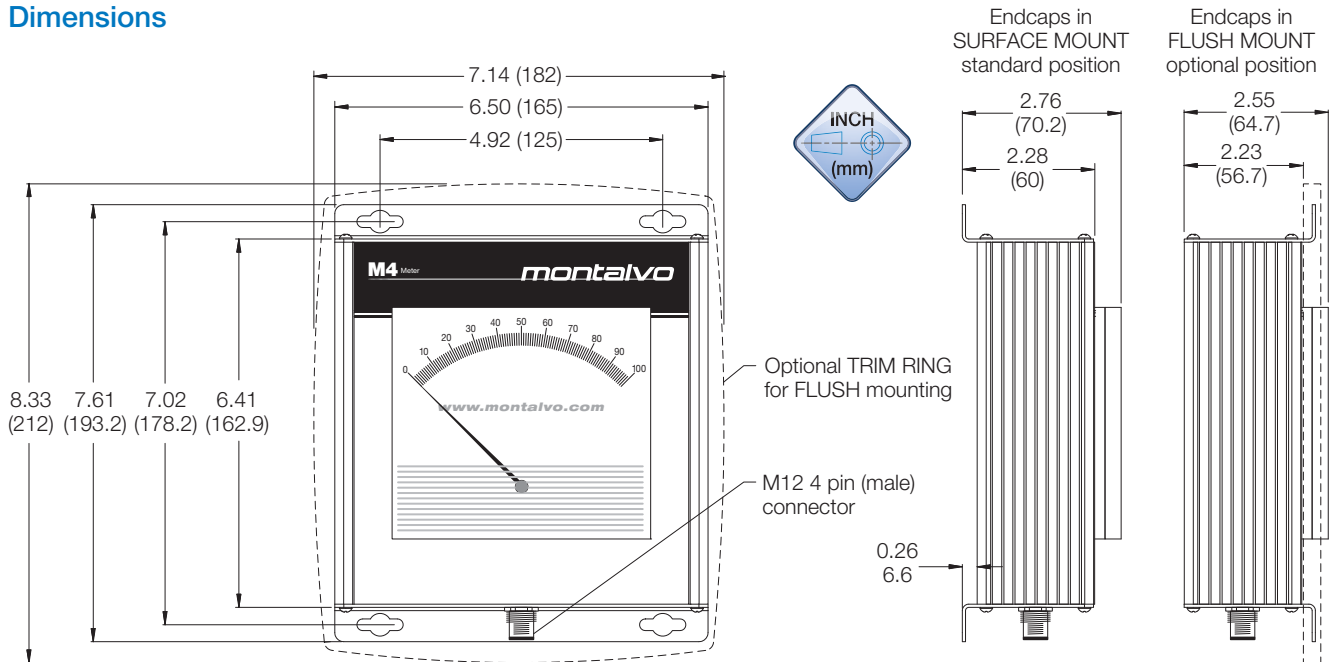
**Features & Benefits**

- ▶ **The Pointer** - Long, flat arc scale and knife edge pointer for excellent readability.
- ▶ **The Movement** - Spring loaded pivot and jewel movement that assures maximum torque and readability.
- ▶ **The Range** - Accepts a 0-100 μ A DC or 0-10 VDC signal.
- ▶ **The Enclosure** - An IP54 aluminum case with multiple mounting options.
- ▶ **The Connection** - An M12, 4 pin connector on the enclosure and a supplied cable.

Specifications




M4 (including 6m cable) part #	11000616
Signal (standard) (works with HD series and CB64 controllers and M series load cell amplifiers)	0-100 μ A DC
Signal (specified option) (works with S4 controllers and A4 load cell amplifiers)	0-10 VDC
Mounting (standard)	SURFACE mount
Mounting (specified option) includes trim ring (see drawing)	FLUSH mount
Accuracy	\pm 2% full scale value
Movement	spring loaded pivot / jewel
Connector	M12 4 pin Male
Weight	2.0 lb (0.9 kg)
Enclosure	IP54
Input - voltage	0 to 10 VDC, 100 k Ω input impedance
Standard scale	0-100
Scale options	By request
Cable	
Connector	M12 4 pin Female
Length	20ft (6m)
Replacement (6m) part#	11000584
Optional lengths available (with meter or as replacement) ft(m)	10 (3) / 16.5 (5) / 32.5(10)

Dimensions



Related Montalvo Products

- The **NEW** S4 Digital Tension Controller
- The **NEW** A4 Digital Load Cell Amplifier
- The M Series Load Cell Amplifiers

	207-856-2501 / 800-226-8710
	+86-21-61401822
	+45 75 57 27 11