



# FAN SPEED CONTROL MODULE

VAC2-2E-RFI

X10522

## INTRODUCTION

The compact VAC control module is designed for control of fan speed in a wide range of heating and ventilation applications. Installation is simplified, with just two connections for in-line wiring to the mains supply.

The fan speed is set by an adjustable cermet. An internal RC snubber network makes the unit ideal for inductive fan loads up to 2A.

## APPLICATIONS

Most mains ac fans and other inductive loads.

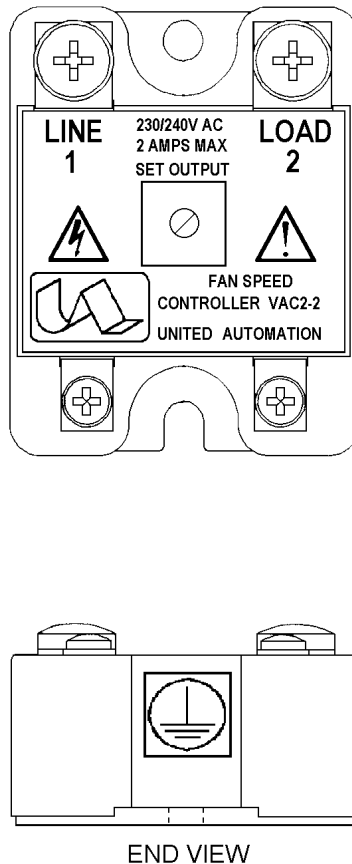
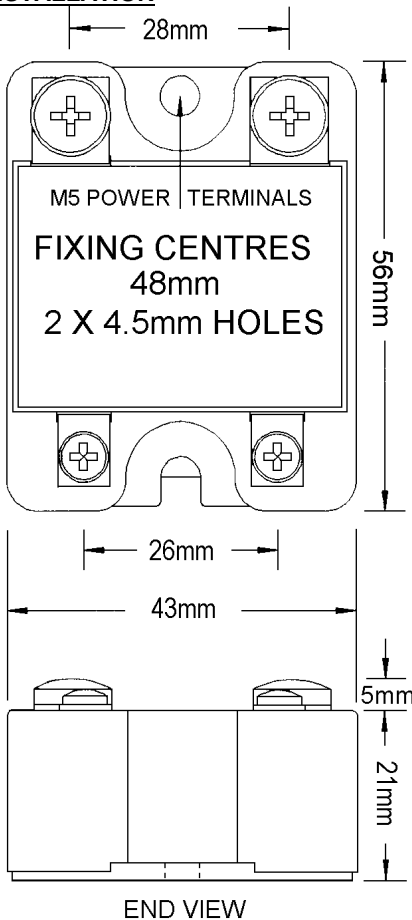
RoHS Compliant

## FEATURES

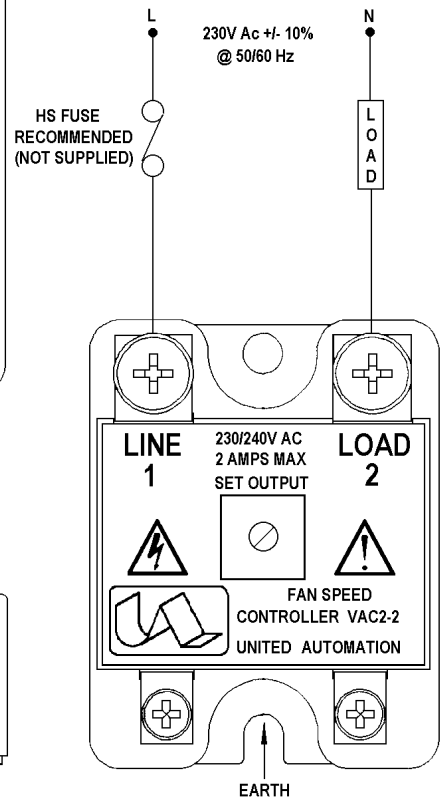
- Compact.
- Solid state reliability.
- Adjustable speed output.
- Simple wiring required.
- Internal RFI Filter.



## INSTALLATION



NOTE: SWITCH OFF SUPPLY BEFORE COMMENCING ANY SERVICING WORK  
THIS UNIT MUST BE EARTHED



## **SPECIFICATIONS**

ac line voltage	230V +/- 10% @ 50/60 Hz
Unit limiting rms current	2A
Max peak voltage	600V ac
Peak one cycle surge (10ms)	10A
Minimum operating current	200mA
Isolation voltage	2kV
Leakage current	10mA
Max. operating temperature	65°C
Storage temperature	0 to 65°C

## **FUSING**

It is recommended to use semiconductor fast acting type fuses or circuit breakers (semiconductor-MCB) for unit/device protection. On initial 'switch on' some loads may need an increased Factor of Safety (F of S) for unit and/or device protection. See SRA Datasheet for further information.

## **CE MARKING**

This product family carries a "CE marking". For information see recommendation section and contact our sales desk, see Declaration of Conformity.

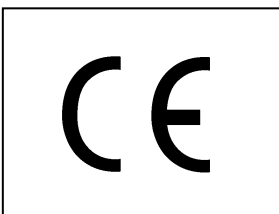
## **RECOMMENDATIONS**

Other documents available on request, which may be appropriate for your application:-

<b>CODE</b>	<b>IDENTITY</b>	<b>DESCRIPTION</b>
X10229	RFI	Single Phase Filtering recommendations - addressing EMC Directive
X10213	ITA	Interaction, uses for phase angle and for burst fire control.
X10255	SRA (LVD)	Safety requirements - addressing the Low Voltage Directive including: thermal data/cooling, "Live" parts warning & Earth requirements; Fusing recommendations.
P01.1	COS	UAL Conditions of sale.

**NOTE:** It is recommended that installation and maintenance of this equipment should be done with reference to the current edition of the I.E.T. (formally I.E.E.) regulations (BS7671) by suitably qualified/trained personnel. The regulations contain important requirements regarding installation and safety of electrical equipment. Specific installers should refer to local and national regulations.

**ORDER CODE:** State part number: VAC2-2E- RFI 2A, 230v



<b>UNITED AUTOMATION LIMITED</b>	
Southport Business Park Wight Moss Way Southport, PR8 4HQ ENGLAND	Tel: 0044 (0) 1704 – 516500 Fax: 0044 (0) 1704 – 516501 enquiries@united-automation.com www.united-automation.com
Page No. 2 of 2	Issue 2
	Date 31/07/12

