



VARIABLE AC REGULATOR UP TO 17A WITH RFI SUPPRESSION

QVR/RFI 17A-E
QVRS/RFI 17A-E

X10504

INTRODUCTION

These variable phase angle power regulators are robust and compact units for 230V, up to 17A, which are ideal for controlling single phase mains driven loads. They give fully adjustable voltage output from 0-98% and the large triac enables the unit to handle high inrush currents with ample safety margin on industrial installations. These units incorporate their own RFI filter network to comply with EMC Regulations (Class A).

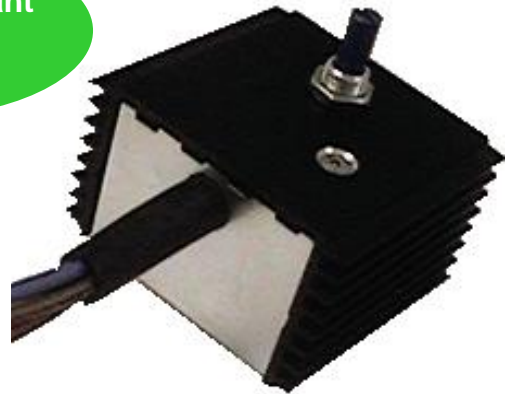
APPLICATIONS

Suitable for quartz lamps, conventional resistive heating elements in series or parallel configurations. Applications including ovens, moulders, dryers and some inductive loads, for example transformers and motors.

FEATURES

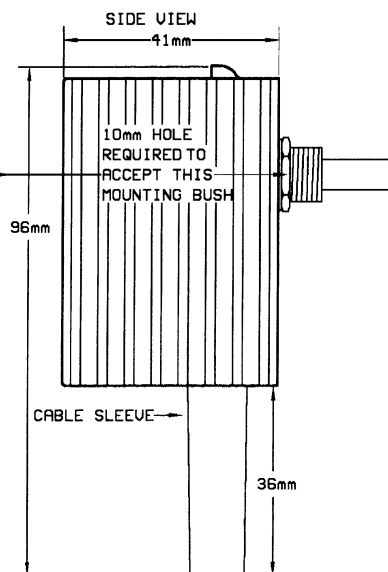
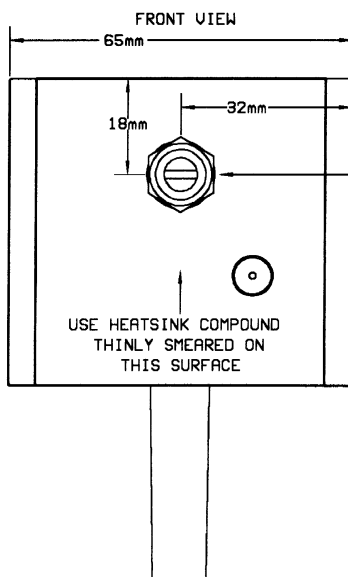
- Integral RFI network.
- ON/OFF switched version (QVRS)
- Infinitely variable 0-98% output.
- Single hole fixing.
- Rugged and compact
- Designed to maximise thermal dissipation
- Knob and Dial included

RoHS Compliant
Directive
2002/95/EC

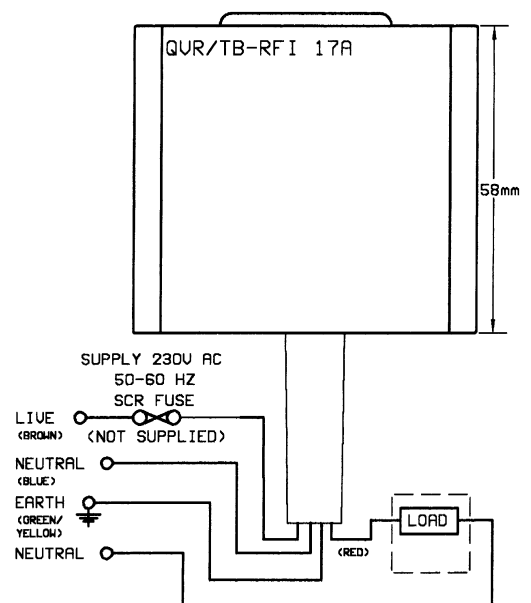


INSTALLATION

CONNECTIONS AND DIMENSIONS



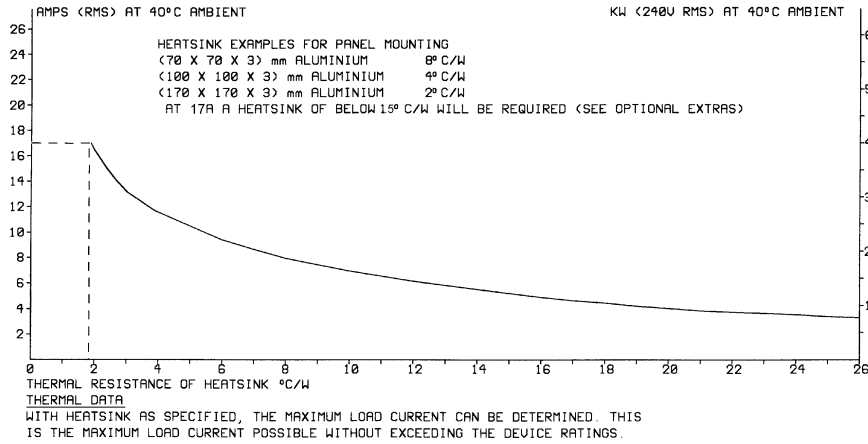
REAR VIEW



WARNING
LIVE TERMINALS - SWITCH OFF SUPPLY BEFORE COMMENCING ANY SERVICE WORK

NOTE
FOR HEATSINK PANEL MOUNTING A 10MM HOLE IS REQUIRED TO ACCEPT MOUNTING BUSH.
HEATSINK COMPOUND MUST BE USED FOR EFFECTIVE THERMAL COUPLING.

INSTALLATION



SPECIFICATIONS

Triac limiting RMS. On state cycle	25A	Isolation voltage	2500V rms
Peak one cycle surge @ (10mS)	320A	I ² t limiting value for fusing	112A ² s
Max forward volts drop at 10A	1.5V	Mains supply tolerance, within 10%	230V/110V ac
Max load at 20°C ambient (without extra heatsink)	10A	Max recommended unit temperature	65°C
Mains frequency	50/60Hz	Max recommended unit temperature	-20 TO +85°C
FURTHER DIMENSION			
Shaft diameter	6.3mm	Shaft projection from bush	13mm/SW 8mm
Bush length	5mm	Fixing hole diameter	10mm

FUSING

It is recommended to use semiconductor (fast acting) type fuses or circuit breakers (Semiconductor-MCB) for protection. On initial 'switch on' some loads may need an increased Factor of Safety (F of S) for Unit and/or Device protection. See SRA Data sheet for further information.

CE MARKING

This product family carries a "CE" marking and incorporates a filter. (Standard type to emission levels BS EN 55022 Class A – Industrial) to address the EMC directive. For more information see recommendations section and contact our sales desk. (See Declaration of Conformity)

RECOMMENDATIONS

Other documents available on request, which may be appropriate for your application: -

CODE	IDENTITY	DESCRIPTION
X10229	RFI	Single Phase Filtering recommendations - addressing EMC Directive
X10213	ITA	Interaction, uses for phase angle and for burst fire control.
X10255	SRA	Safety requirements - addressing the Low Voltage Directive (LVD) including: - Thermal data/cooling; "Live" parts warning & Earth requirements; Fusing recommendations.
	AP02/4	COS UAL Conditions of sale.

NOTE It is recommended that installation and maintenance of this equipment should be done with reference to the current edition of the I.E.E. wiring regulations (BS7671) by suitably qualified/trained personnel. The regulations contain important requirements regarding safety of electrical equipment (For International Standards refer to I.E.C/ directive IEC 950).

ORDER CODE:

State part number: Non switched QVR/RFI 17A-E +(Supply voltage)
 State part number: Switched QVRS/RFI 17A-E +(Supply voltage)
 Optional extras include: Heatsink paste.



UNITED AUTOMATION LIMITED

1 Southport Business Park
 Kew
 Southport, PR8 4HQ
 ENGLAND

Tel: 0044 (0) 1704 – 516500 Main
 Tel: 0044 (0) 1704 – 516516 Sales
 Fax: 0044 (0) 1704 – 516501
 Enquiry@united-automation.com





VARIABLE AC REGULATOR UP TO 17A WITH RFI SUPPRESSION

QVR/RFI 17A-E
QVRS/RFI 17A-E

X10504

INTRODUCTION

These variable phase angle power regulators are robust and compact units for 230V, up to 17A, which are ideal for controlling single phase mains driven loads. They give fully adjustable voltage output from 0-98% and the large triac enables the unit to handle high inrush currents with ample safety margin on industrial installations. These units incorporate their own RFI filter network to comply with EMC Regulations (Class A).

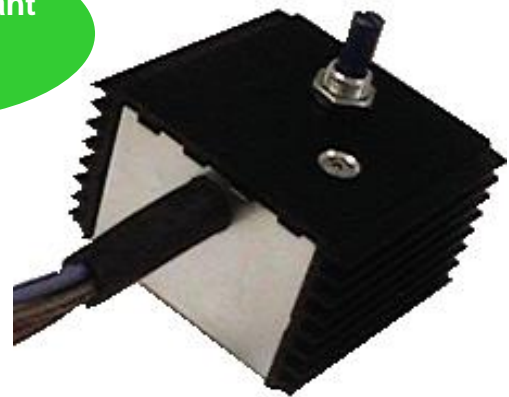
APPLICATIONS

Suitable for quartz lamps, conventional resistive heating elements in series or parallel configurations. Applications including ovens, moulders, dryers and some inductive loads, for example transformers and motors.

FEATURES

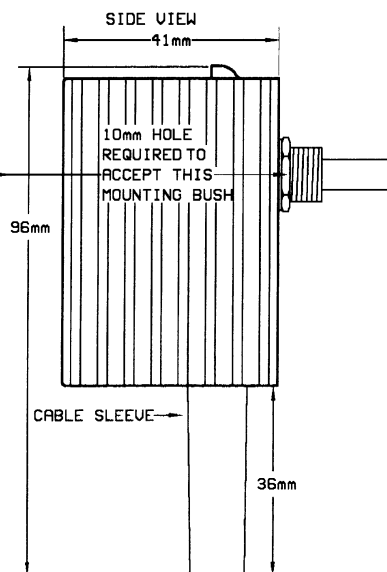
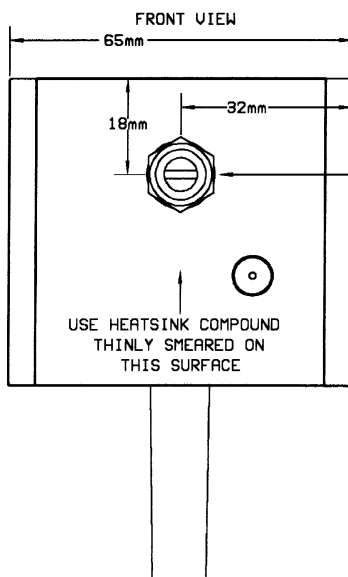
- Integral RFI network.
- ON/OFF switched version (QVRS)
- Infinitely variable 0-98% output.
- Single hole fixing.
- Rugged and compact
- Designed to maximise thermal dissipation
- Knob and Dial included

RoHS Compliant
Directive
2002/95/EC

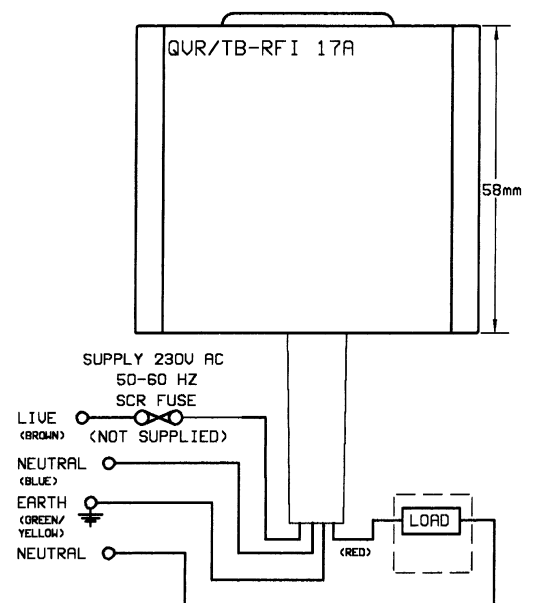


INSTALLATION

CONNECTIONS AND DIMENSIONS



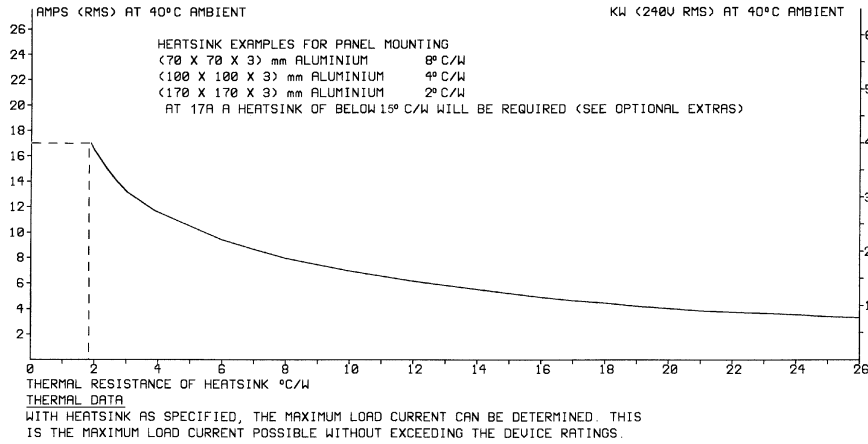
REAR VIEW



WARNING
LIVE TERMINALS - SWITCH OFF SUPPLY BEFORE COMMENCING ANY SERVICE WORK

NOTE
FOR HEATSINK PANEL MOUNTING A 10MM HOLE IS REQUIRED TO ACCEPT MOUNTING BUSH.
HEATSINK COMPOUND MUST BE USED FOR EFFECTIVE THERMAL COUPLING.

INSTALLATION



SPECIFICATIONS

Triac limiting RMS. On state cycle	25A	Isolation voltage	2500V rms
Peak one cycle surge @ (10mS)	320A	I ² t limiting value for fusing	112A ² s
Max forward volts drop at 10A	1.5V	Mains supply tolerance, within 10%	230V/110V ac
Max load at 20°C ambient (without extra heatsink)	10A	Max recommended unit temperature	65°C
Mains frequency	50/60Hz	Max recommended unit temperature	-20 TO +85°C
FURTHER DIMENSION			
Shaft diameter	6.3mm	Shaft projection from bush	13mm/SW 8mm
Bush length	5mm	Fixing hole diameter	10mm

FUSING

It is recommended to use semiconductor (fast acting) type fuses or circuit breakers (Semiconductor-MCB) for protection. On initial 'switch on' some loads may need an increased Factor of Safety (F of S) for Unit and/or Device protection. See SRA Data sheet for further information.

CE MARKING

This product family carries a "CE" marking and incorporates a filter. (Standard type to emission levels BS EN 55022 Class A – Industrial) to address the EMC directive. For more information see recommendations section and contact our sales desk. (See Declaration of Conformity)

RECOMMENDATIONS

Other documents available on request, which may be appropriate for your application: -

CODE	IDENTITY	DESCRIPTION
X10229	RFI	Single Phase Filtering recommendations - addressing EMC Directive
X10213	ITA	Interaction, uses for phase angle and for burst fire control.
X10255	SRA	Safety requirements - addressing the Low Voltage Directive (LVD) including: - Thermal data/cooling; "Live" parts warning & Earth requirements; Fusing recommendations.
	AP02/4	COS UAL Conditions of sale.

NOTE It is recommended that installation and maintenance of this equipment should be done with reference to the current edition of the I.E.E. wiring regulations (BS7671) by suitably qualified/trained personnel. The regulations contain important requirements regarding safety of electrical equipment (For International Standards refer to I.E.C/ directive IEC 950).

ORDER CODE:

State part number: Non switched QVR/RFI 17A-E +(Supply voltage)
 State part number: Switched QVRS/RFI 17A-E +(Supply voltage)
 Optional extras include: Heatsink paste.



UNITED AUTOMATION LIMITED

1 Southport Business Park
 Kew
 Southport, PR8 4HQ
 ENGLAND

Tel: 0044 (0) 1704 – 516500 Main
 Tel: 0044 (0) 1704 – 516516 Sales
 Fax: 0044 (0) 1704 – 516501
 Enquiry@united-automation.com

