

- X-ray inspection for food or non-food products and liquids in bottles or jars
- Detects high density materials like metal, ceramic, stone, plastic and even glass particles in glass containers
- Easy operation with autocalibration and clearly arranged functions on 17" touchscreen
- XIA software for instant analysis and detection with high accuracy and reliability
- High speed transversal pusher for glass jars included



- Real time detection with colored contamination analysis
- Masking functions to prevent false rejects
- Auto-storing of inspection data with time and date stamp
- USB and Ethernet for data transfer to PC or memory stick
- High speed reject system
- Easy maintenance and cleaning
- User-friendly menus for easy operation
- Built-in remote maintenance
- 24 hours non-stop operation
- TÜV-approved: reliable german safety standard (optional TÜV certificate)



A large touch screen and clear menus ensure easy handling in daily business.

### Scope of Delivery:

- Xray Scanner with image processing software XIA
- Complete protection against radiation and PILZ safety circuit
- Certified test cards with soda lime glass, ceramics, steel spheres in various diameters

### Accessories & Extras:

- Radiation counter
- 21 CFR Part 11 compliance
- BRC compliance kit

### Applications:

Inspection of packaged food and non-food products in

- bottles
- jars

### Industries:

- Food and non-food
- Pharma
- Hygiene and Cosmetics  
etc.

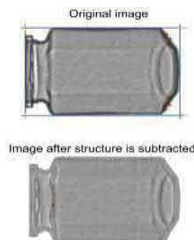
### Function:

The XS GIG x-ray system is specially designed for the complicated detection of glass particles in glass or plastic containers. It also detects unwanted foreign objects such as metal, stones, ceramics or plastic with high density in the product.

The hygienic design with protection type IP66 for the product tunnel makes the XS GIG products particularly suitable for all companies and industries that have to ensure high hygiene standards.

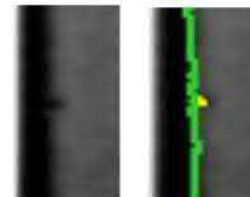


The masking feature excludes certain areas of the image from foreign object detection, e.g. the very dense jar bottom. This improves the detection performance in the remaining product.

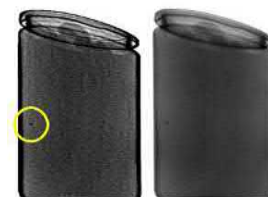


The adaptive software learns the structures of thousands of jars. The software recognizes in milliseconds which taught structure fits best to the current image, and subtracts that structure. As a result, glass pieces are detected even in the lid area.

Cassel's unique AutoEdge function finds the edge between jar wall and product, even though the wall thickness varies due to production tolerances. As a result, glass pieces are detected even at the wall edge or bottom bulge.



The SuperContrast function enhances small dense (dark) structures in the image. This improves detection of small foreign bodies, which then become visible.



With and without SuperContrast



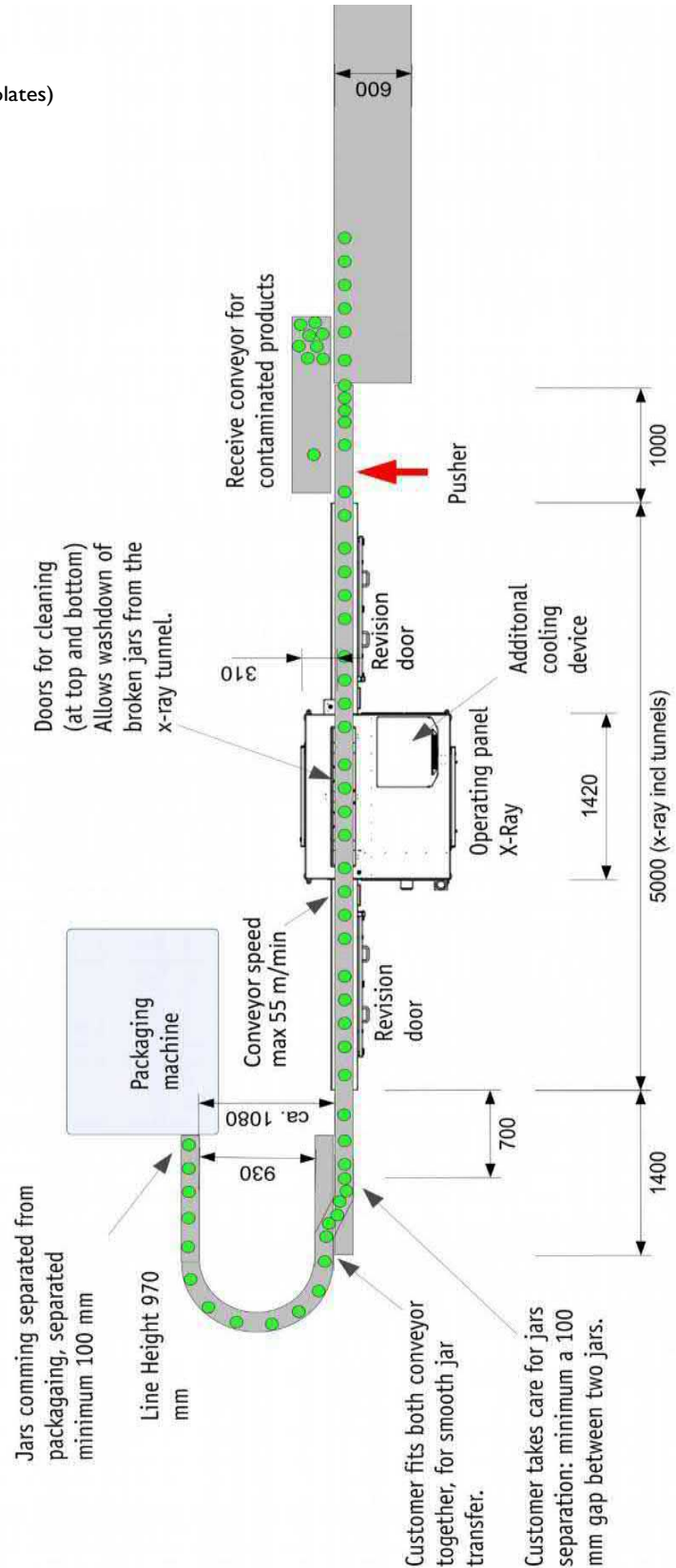
Example product flow concept:

CASSELs scope of supply in this example:

- Dual beam x-ray
- Jar conveyor through x-ray (modular belt, steel plates)
- Reject system

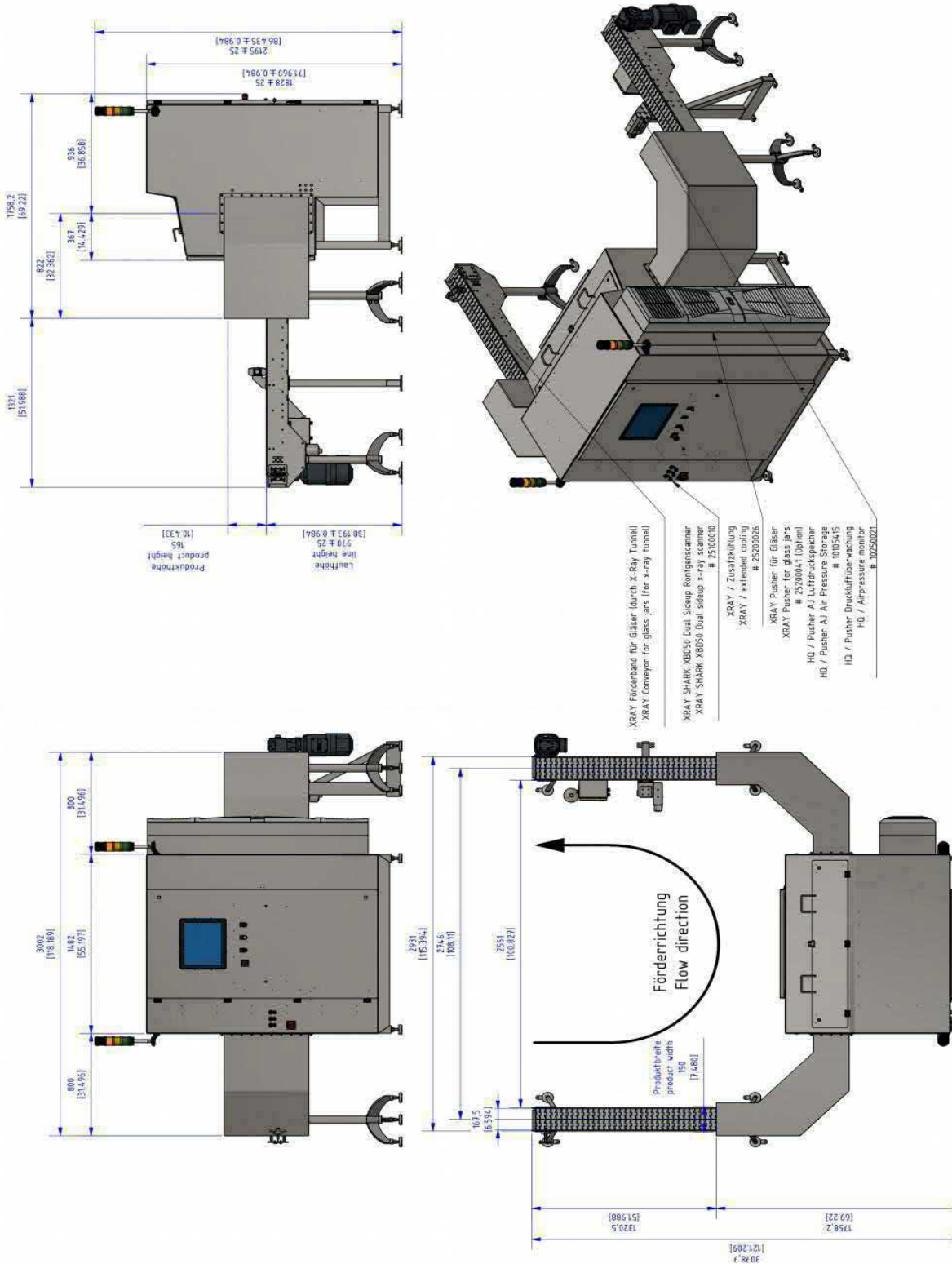
Customers scope:

- Separation of jars
- Receive conveyor for contaminated products
- Modification at existing production line



Dimensions:

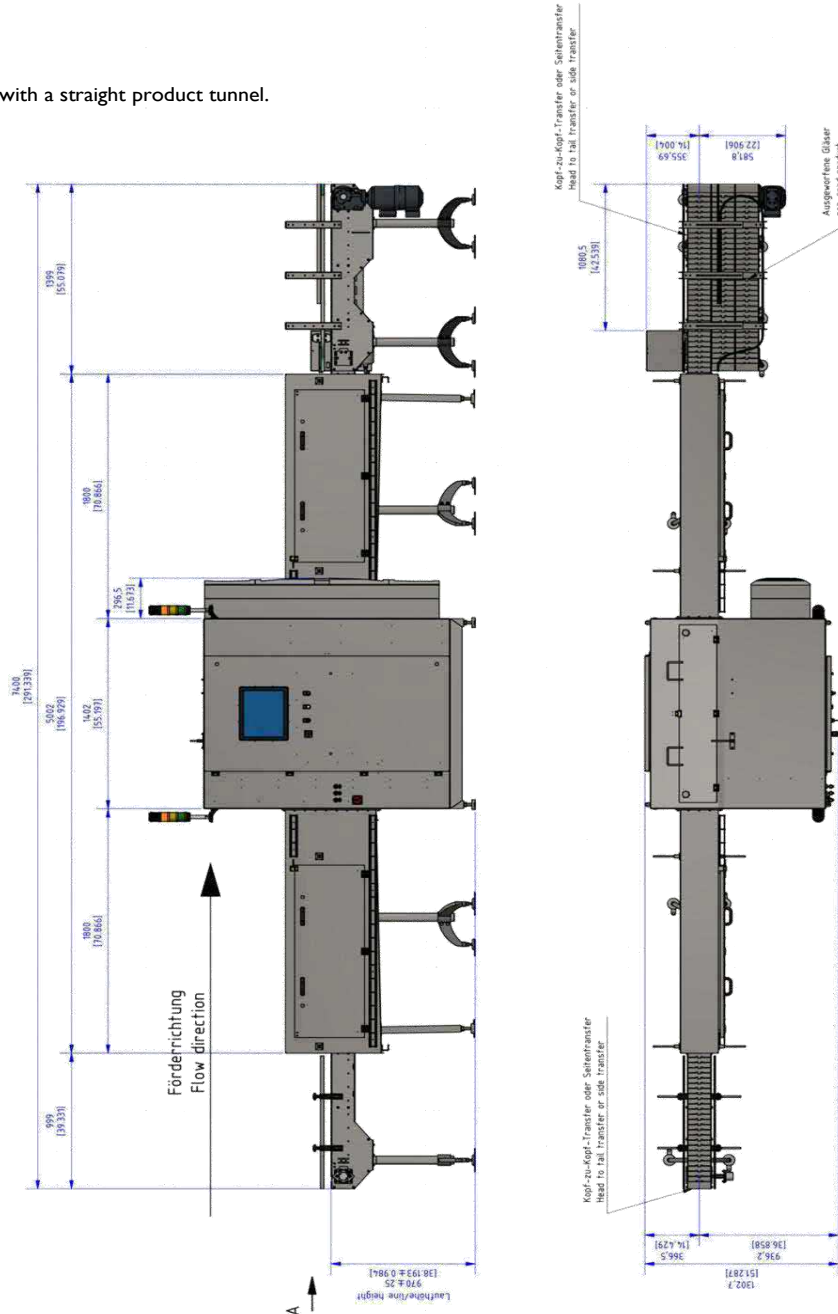
Exemplary dimensions of a XS26-H1-GIG with a u-shaped product tunnel.





**Dimensions:**

Exemplary dimensions of a XS26-H1-GIG with a straight product tunnel.



**CASSEL quality:**

Every single device is thoroughly tested during and after production.  
Before leaving the factory, every device is tested for several days and subjected to a final inspection.

**Contact us:**

CASSEL Messtechnik GmbH  
In der Dehne 10  
37127 Dransfeld  
phone: +49 (0)5502 911 50  
fax: +49 (0)5502 911 532  
info@cassel-inspection.com

