

**EMERGENCY  
SHUT-OFF  
SYSTEM**

**STOP DANGEROUS LEAKS OF EXTREMELY HAZARDOUS GASES WHERE THEY OCCUR**

Avoid production slowdowns, operator injury, or lengthy and expensive environmental cleanups by stopping dangerous chemical leaks with the CHLOSAFE Pneumatic Valve Closure System. The emergency valve closure technology designed for Chlorine ton containers or small chlorine cylinders, this system prevents reportable releases of pressurized hazardous gases at the source. Improve your Risk Management Planning (RMP) scenarios with a pneumatic-powered system that not only promises easy installation and low maintenance, but also superior performance and reliability.

**VERSATILE**

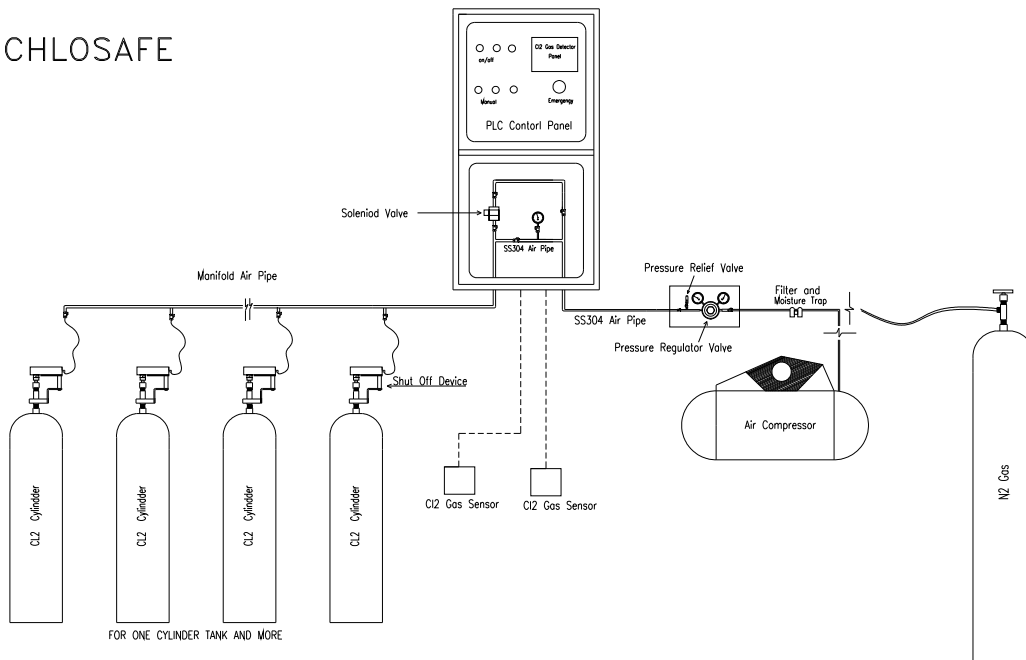
Designed to close a variety of plug-type angle valves for chemical gas containers. For use on containers of chlorine\*, sulfur dioxide, anhydrous ammonia, and other pressurized hazardous gases.

**PNEUMATIC**

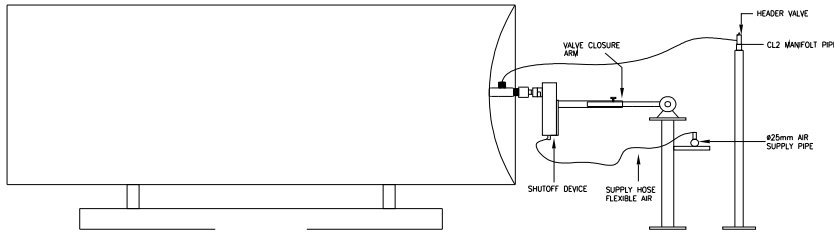
Ideal for applications where air or nitrogen are readily available. Requires 90 psig to operate. Fail-closed design operates even if AC power or air pressure is lost.

**CYLINDER APPLICATION**

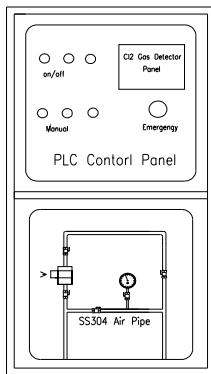
CHLOSAFE



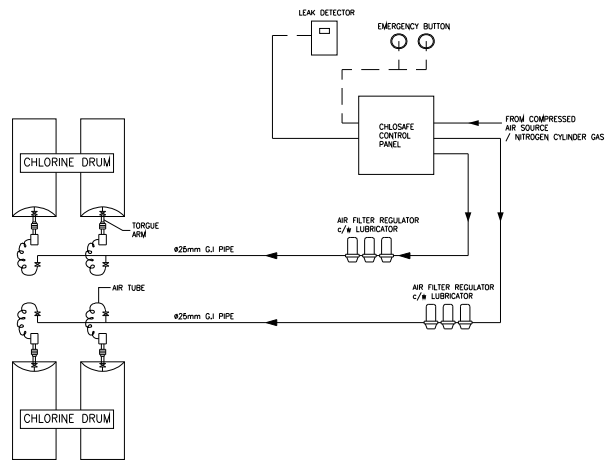
## TON CONTAINER APPLICATION



SIDE VIEW OF CHLOSAFE INSTALLATION



CHLORINE EMERGENCY SHUT-OFF SYSTEM CONTROL PANEL



SCHEMATIC OF CHLORINE EMERGENCY SHUT-OFF SYSTEM

### LOW MAINTENANCE

Robust design completely construction with steel with chemical resistance epoxy coated paint or Stainless Steel for protection and years of reliable service.

Designed in accordance with The Chlorine Institute's guidelines for valve closure systems.

### FAST RESPONSE

Automatically responds to any alarm input, closing valves with high torque in less than 2 seconds.

### EASY TO INSTALL

Easily mounts to the dome wall in seconds, without tools. Can be quickly removed from the valve handle without detaching from the dome wall to facilitate manual valve operation.