

REOTRON MDW 3-phase thyristor power controller

3-phase thyristor power controller

REOTRON MDW thyristor controllers are used in industrial process engineering, especially in applications where accurate regulation of the load is required.

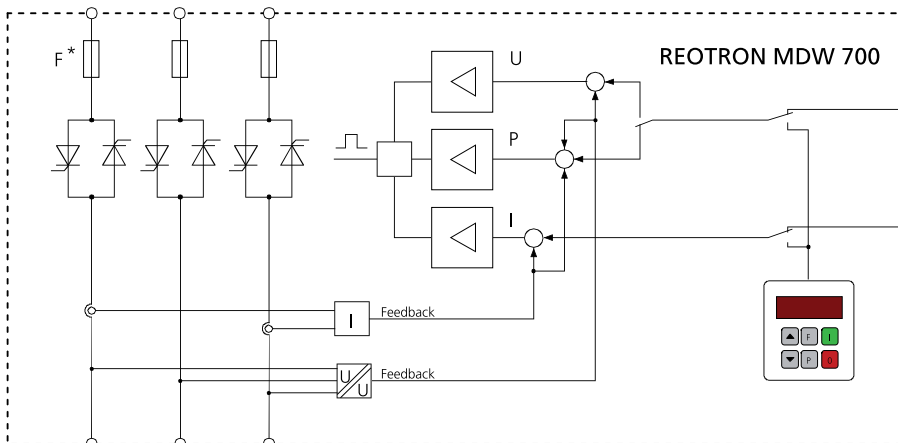
The MDW range can operate as phase-angle or in burst-fire mode as standard and is able to function as voltage, current or power regulators ensuring maximum versatility.

REOTRON MDW controllers can be directly connected to the load (Infrared heating) or can also be used for primary control of transformers for load isolation and allow more favourable combinations for operation of voltage/ current (resistance heating applications)

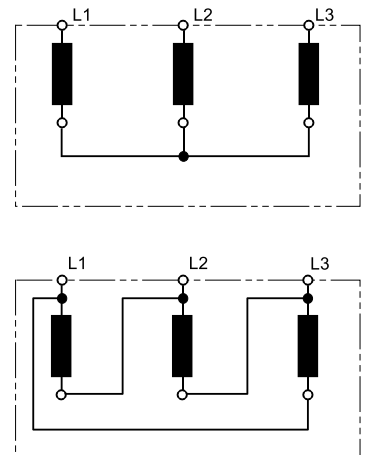
The REOTRON MDW is a modern microprocessor controlled device with integrated monitoring of voltage and current to ensure that accurate regulation occurs.

Communication with the devices can be done using conventional analog interfaces (0...10V,DC or 0(4)...20 mA), potentiometer or field bus systems like PROFIBUS-DP, CAN-Bus and DeviceNet, EtherNet/IP, ProfiNet and EtherCAT to allow easy integration into new or existing factory control networks.

To provide additional functionality the units also provide 0..+10V,DC analog outputs which are proportional to current and voltage. These can easily be interfaced to external measurement and supervisory systems.



* >200A extern



Active load circuit

The units have a wide variety of user adjustable parameters so that control can be tailored and optimized for the application, for example Current/Voltage Limit and ramp-up and ramp-down times. The REOTRON MDW range is protected to IP20 and is designed to be integrated into control cabinets.

They are air-cooled and above 150A have integral cooling fans. In addition to this, the REOTRON MDW-WK are designed for water-cooling and can easily be integrated into new or existing cooling systems.

Applications:

- Industrial ovens
- Metal- evaporations
- Melting Crucibles
- Infra-red dryers
- Heating equipment



- phase-angle or burst-fire controllers
- measuring of effective values
- connection via analog interfaces, potentiometers or field bus systems
- air- or water-cooling
- installation device for control cabinets

Performance data:

Type	Input voltage	Output voltage	Output current
REOTRON MDW 700-10	3 x 400 VAC, +/-10 % 50/60 Hz	3 x 0...400V	3 x 10 A
REOTRON MDW 700-25			3 x 25 A
REOTRON MDW 700-50			3 x 50 A
REOTRON MDW 700-80			3 x 80 A
REOTRON MDW 700-110			3 x 110 A
REOTRON MDW 700-150			3 x 150 A
REOTRON MDW 700-200			3 x 200 A
REOTRON MDW 700-300			3 x 300 A
REOTRON MDW-WK 700-115 *			3 x 115 A
REOTRON MDW-WK 700-160 *			3 x 160 A
REOTRON MDW-WK-700-250 *			3 x 250 A
REOTRON MDW-WK 700-350 *			3 x 350 A
REOTRON MDW-WK 700-450 *			3 x 450 A
Load:			Resistive / inductive
Set-point: Current, voltage, power	0...+10 V, DC, 0(4)...20 mA Internal keyboard		
Interface: (optional)	Profi bus-DP, CAN-Bus, DeviceNet, EtherCAT		
Input:	24 V, DC, external contact, (potential-free)		
Status update ready	Relay, changeover contact		
Status update power on	Relay, changeover contact		
Display for effective value: Current / Voltage	0...+10 V, DC		
Operating temperature:	0...+45°C		
Storage / Transport temperature:	-10...+70°C		
Protection rating:	IP 20		

* with water cooling



REO AG

Brühler Straße 100 · D-42657 Solingen
Tel.: +49 (0)212 8804 0 · Fax: +49 (0)212 8804 188

E-Mail: info@reo.de
Internet: www.reo.de

■ Divisions:

» REO Vibratory Feeding and Power Electronics Division

REO Vibratory Feeding and Power Electronics Division
Brühler Straße 100 · D-42657 Solingen
Tel.: +49 (0)212 8804 0 · Fax: +49 (0)212 8804 188
E-Mail: info@reo.de

» REO Train Technologies Division

REO Train Technologies Division
Erasmusstraße 14 · D-10553 Berlin
Tel.: +49 (0)30 3670236 0 · Fax: +49 (0)30 3670236 10
E-Mail: zentrale.berlin@reo.de

» REO Drives Division

REO Drives Division
Holzhausener Straße 52 · D-16866 Kyritz
Tel.: +49 (0)33971 485 0 · Fax: +49 (0)33971 485 90
E-Mail: zentrale.kyritz@reo.de

» REO Medical and Current Transformer Division

REO Medical and Current Transformer Division
Schuldholzinger Weg 7 · D-84347 Pfarrkirchen
Tel.: +49 (0)8561 9886 0 · Fax: +49 (0)8561 9886 40
E-Mail: zentrale.pfarrkirchen@reo.de

» REO Test and PowerQuality Division

REO Test and PowerQuality Division
Brühler Straße 100 · D-42657 Solingen
Tel.: +49 (0)212 8804 0 · Fax: +49 (0)212 8804 188
E-Mail: info@reo.de

PRODUCTION + SALES:

■ China

REO Shanghai Inductive Components Co., Ltd
E-Mail: info@reo.cn · Internet: www.reo.cn

■ India

REO GPD INDUCTIVE COMPONENTS PVT. LTD
E-Mail: info@reogpd.com · Internet: www.reo-ag.in

■ USA

REO-USA, Inc.
E-Mail: info@reo-usa.com · Internet: www.reo-usa.com

SALES:

■ France

REO VARIAC S.A.R.L.
E-Mail: reovariac@reo.fr · Internet: www.reo.fr

■ Great Britain

REO (UK) Ltd.
E-Mail: main@reo.co.uk · Internet: www.reo.co.uk

■ Italy

REO ITALIA S.r.l.
E-Mail: info@reitalia.it · Internet: www.reitalia.it

■ Poland

REO CROMA Sp.zo.o
E-Mail: croma@croma.com.pl · Internet: www.croma.com.pl

■ Spain

REO ESPAÑA 2002 S.A.
E-Mail: info@reospain.com · Internet: www.reospain.com

■ Switzerland

REO ELEKTRONIK AG
E-Mail: info@reo.ch · Internet: www.reo.ch

■ Turkey

REOTURKEY ELEKTRONIK San. ve Tic. Ltd. Şti.
E-Mail: info@reo-turkey.com · Internet: www.reo-turkey.com