

- 0.1% accuracy
- 0 - 1m H<sub>2</sub>O to 0 - 200m H<sub>2</sub>O
- Automatic temperature compensating
- Two-wire 4 - 20mA
- Ceramic capacitive sensor
- Protection class IP68
- Dedicated marine version

**DESCRIPTION**

The BLT170 series hydrostatic level transmitter is designed to perform in the most arduous conditions of today's level measurement applications. Using temperature compensated, submersible or surface mount electronics with a ceramic capacitive sensor, the BLT170 provides an accuracy of better than +/-0.1% of calibrated span and excellent long term stability. Mounting options enable simple installation in many applications from service tanks to remote reservoirs. All transmitters can be mounted in areas subject to flooding and are rated IP68.

**TECHNICAL SPECIFICATIONS**

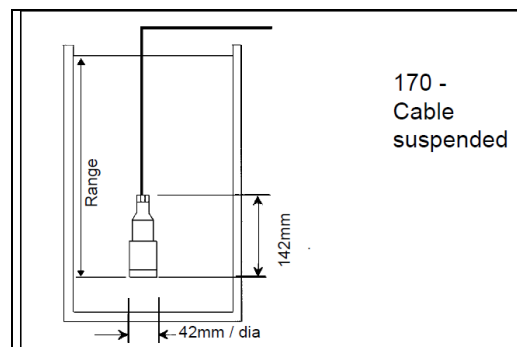
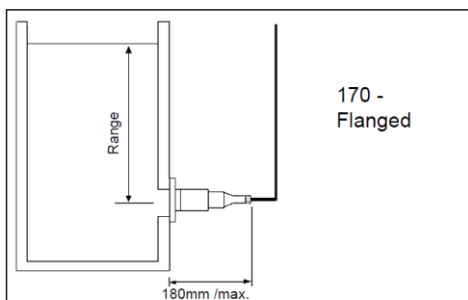
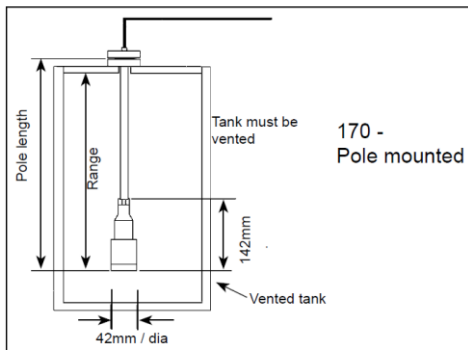
<b>Process fluid</b>	: Liquid
<b>Output signal</b>	: Two-wire, 4-20 mA
<b>Power supply</b>	: 12 - 36 VDC
<b>Load limitation</b>	: 0 - 700Ω for 24VDC
<b>Hazardous area</b>	: IP68, intrinsically safe EEx iaC T4-T6
<b>Temperature Compensation</b>	: 0 to 50°C
<b>Ambient temp</b>	: -20 to 70°C
<b>Process temp</b>	: -20 to 60°C
<b>Storage temp</b>	: -40 to 80°C
<b>Turn-on time</b>	: Performs within specifications in less than 20 milliseconds after power is applied.

**PERFORMANCE**

<b>Accuracy</b>	: ±0.1%
<b>Temperature effect</b>	: ± 0, 02%/K Zero and Span
<b>Power supply effect</b>	: Negligible between 12 and 36 VDC
<b>Mounting position effect</b>	: Any position. No span effect.
<b>EMC</b>	: EN 50081-1, EN 50082-2, 89/336/EEC

**INSTALLATION**

<b>Electrical connection</b>	: Cable
<b>Wetted parts</b>	: AISI 316L, PUR or Teflon cable
<b>Mounting</b>	: Directly supported by cable or flange
<b>Protection class</b>	: IP68



Mounting options. The 170 is available in various mounting configurations, all are rated IP68.

- 170 C - Cable suspended
- 170 R - Pole mounted
- 170 D - Flanged
- Threaded mounting is available upon request



**ORDER INFORMATION BLT170**

Mode										Illustration									
BLT170																			
Type	C									C1 Cable suspended									
	R									Pole type									
	D									Straight mounting (flange DN50)									
Explosion-proof rank	S									Standard type (no explosion-proof)									
	I									Intrinsic safety ExiaIICT6 or ExialICT6									
Material of process connection part	1									316L stainless steel									
	9									Special engagement									
Type of process connection part	T									Outer thread G1 ½									
	F									Flange (note 4)									
	Y									Special engagement									
Diaphragm	C									Ceramic capacity diaphragm									
	1F									Fluorine raw rubber									
Material of seal part	2F									Nitrile rubber									
	3F									Polyflon									
Signal output	2									(4~20)mA two-wire system									
	9									Special requirement									
Accuracy rank	2									0.1 (note 5)									
Counterweight	H									No counterweight									
	Z									Standard of counterweight (stainless steel)									
	Y									Special appointment									

- Notice to the order: density of liquid medium ( ), temperature ( ), The range of liquid level h = ( )m  
Cable type: cable length L = ( ) m,
- Note 4: Installation dimension used in the cable transmitter, if measuring range of well water-level is 10 m, and the cable length is 11 m, then extra 1 m use to installation, actual measurement is 10 m.
- Note: Guide gas cable of cable liquid-level transmitter adopts high-performance environmental protection material such as import abrasion-proof, weak acid-proof (concentration), anti-low temperature, and may apply to food, medicine and other survey field.



BASI Instrument AB  
P.O. Box 53

Tel: +46 40-880 09  
SE-275 06 VOLL SJÖ...SWEDEN

Fax: +46 40-92 98 77  
E-mail: info@basi.se

**Submersible hydrostatic level transmitter BLT170**

No. DS 1:2-E Issue: 5 18/05/12