

RemoteTRH

TEMPERATURE AND RELATIVE HUMIDITY SENSOR

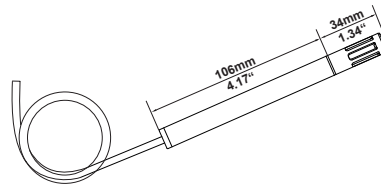
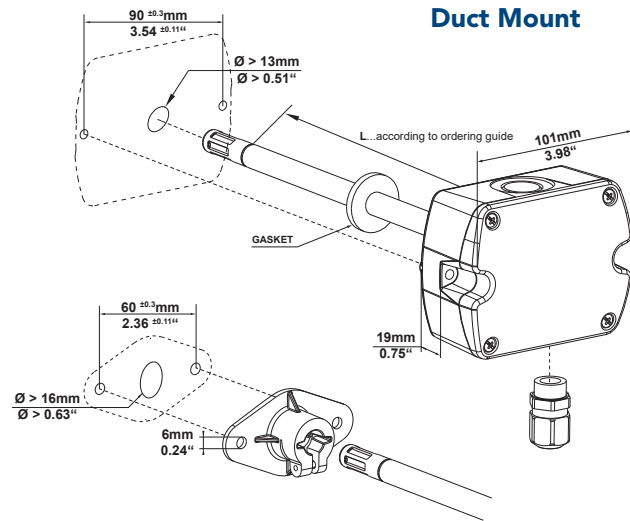
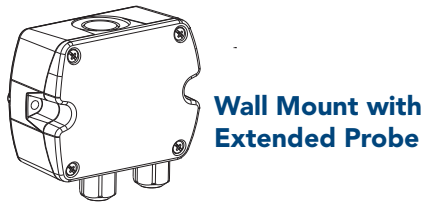
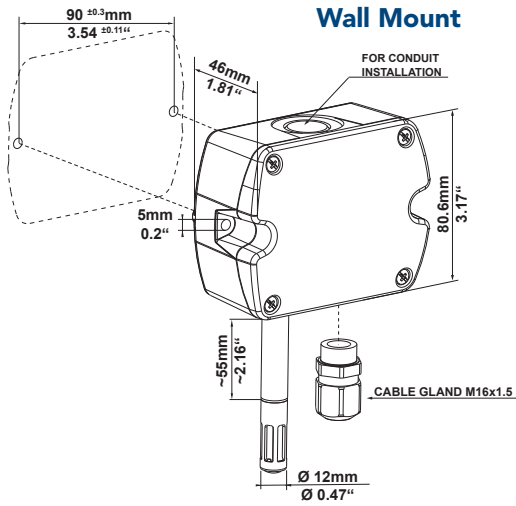


The combined Remote TRH sensor is a cost effective and highly accurate sensor designed for cleanroom and controlled environment applications. The Remote TRH sensor has been designed to allow fast and easy installation and provides reliable protection in sterile cleanroom facilities.

The Remote TRH sensor is available in two models TRH-03-25 and TRH-02-15. The TRH-03-25 comes with $\pm 0.3^{\circ}\text{C}$ and $\pm 2.5\%$ RH accuracy. The TRH-02-15 is available with a display option with $\pm 0.2^{\circ}\text{C}$ and $\pm 1.5\%$ RH accuracy. The Remote sensor uses the latest sensor technology which offers long-term stability and resistance against pollutants. The enclosure is IP65/NEMA 4 rated and ideal for cleanroom applications. The sensor has been designed for easy on-site installation and comes in wall or duct mounted versions with fixed or extended probes to enable installation in challenging situations.

FEATURES

- Range 0-100% RH -40 to +60°C
- Enhanced Sensor Protection
- Simple On-site Installation
- Wall or Duct Mounted
- Cleanroom Wipe Down
- IP65/NEMA Enclosure
- 2 Year Warranty
- Optional LCD Display



TECHNICAL DATASHEET

RemoteTRH Temperature and Relative Humidity Sensor

Measured Values

	TRH-03-25	TRH-02-15
Working range	0-100% RH / -40...60°C	0-100% RH / -40...60°C
Accuracy at 20 °C	±2.5% RH / ±0.3°C	±1.5% RH / ±0.2°C

Outputs

Analog output	4-20mA
---------------	--------

General

Power supply	for 4 - 20 mA		10V + RL x 20 mA < V+ < 30V DC
Display	Not Available	Optional	
Connection	Screw terminals, max. 1.5 mm ²		
Housing material	Polycarbonate, UL94V-0 (with Display UL94HB) approved		
Protection class	IP65 / NEMA 4		
Cable gland	M16 x 1,5		
Probe cable (type C)	PVC, Ø 4.3mm, 4 x 0.25 mm ² , Length: 1.5 or 3m (4.9 or 9.8ft)		
Electromagnetic compatibility	EN61326-1 EN61326-2-3 - Industrial Environment		
Temperature ranges	Operating: -40...60°C (-40...140°F) (-40...80°C for remote probe)		
	Storage: -40...60°C (-40...140°F)		
Temperature ranges with display	Operating: -20...50°C (-4...122°F) (-40...80°C for remote probe)		
	Storage: -20...60°C (-4...140°F)		

Distributed By:



Lighthouse Worldwide Solutions reserves the right to change specifications without notice.