

MODEL 50210 MINIATURE ROUND BEAM

FEATURES:

- 25 to 500 pounds capacities
- Low profile
- Environmentally protected with neoprene sleeve
- Meets NIST H-44 requirements
- Factory Mutual (F.M.) Approved†

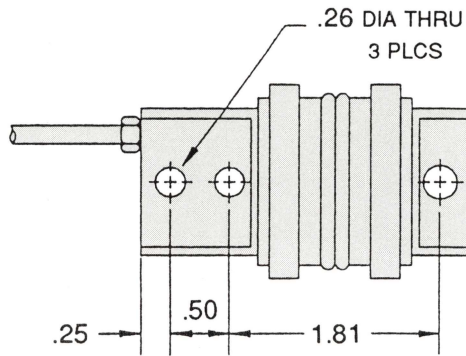
DESCRIPTION:

Model 50210, a single ended miniature round beam, is ideal for very low capacity platform and bench scales. The high alloy tool steel construction is ideal for performance repeatability in miniature load cell. Load cells are supplied with an integral 20 foot cable.

PERFORMANCE SPECIFICATIONS

Standard Capacity (lbs.):	25, 50, 75, 100, 150, 200, 250, 300, 500
Excitation Voltage:	10VDC - Maximum 15VDC
Rated Output:	3.0 mv/v
Non-Linearity:	< 0.03% FSO (Full Scale Output)
Hysteresis:	< 0.02% FSO
Non-Repeatability:	< 0.01% FSO
Zero Balance:	± 1.0% FSO
Bridge Resistance:	350 ohms nominal
Safe Overload:	150% of Rated Capacity
Temperature:	0 - 150 deg. F
Finish:	Electroless Nickel/Chrome Plated

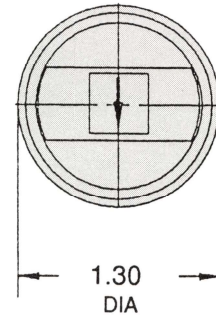
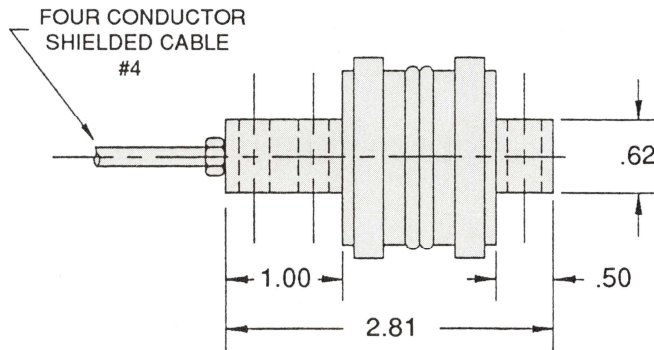




ELECTRICAL TERMINATION

Input	Output	Shield
Red (+)	Green (+)	(+)
Black (-)	White (-)	(-)

COMPRESSION POSITIVE



- NOTE;
- #1. STD WIRING
 - #2. DIMENSIONS SHOWN ARE IN INCHES
 - #3. MATERIAL : TOOL STEEL – NICKEL/CHROME PLATE
 - #4. 20 FEET CABLE LENGTH, PVC JACKET
- OTHER LENGTHS AVAILABLE PER SPECIAL ORDER

† Factory Mutual Systems approved as intrinsically safe when installed per F.M. approved installation drawing. Contact ARTECH sales department for details.

ORDER INFORMATION:

ARTECH is dedicated to maintaining adequate inventories of its Load Cells to provide the best service in the industry.

Order by the model number and indicate the capacity required.

Custom services such as matched load cell outputs, special threading and custom calibrations are available on an optional basis at an extra cost. **LET US KNOW WHAT YOU NEED...WE LISTEN!**

Represented by:



1966 Keats Drive, Riverside, CA 92501
 (951) 276-3331
 (800) 654-8181
 Fax: (951) 276-4556
 Email: info@artechindustriesinc.com
www.artechindustriesinc.com

QUALITY • PERFORMANCE • SERVICE
"A PREFERRED NAME IN LOAD CELL TECHNOLOGY"