

All pixels, no sub pixels Time Domain Imaging™ SXGA-R5

Forth Dimension Displays' SXGA-R5:
A compact, direct drive interface suitable for all high performance monocular, biocular and binocular imaging applications.

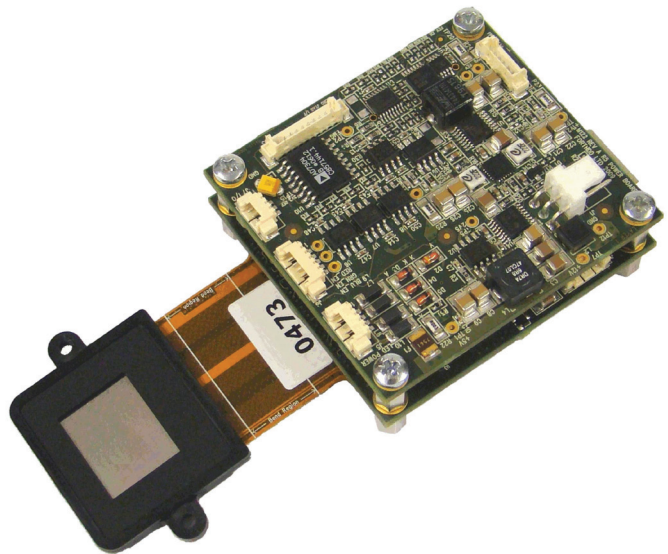
The SXGA-R5 system is a fast switching, all digital, high-performance reflective microdisplay and interface electronics. Using no colour sub-pixels, the proprietary Time Domain Imaging™ technology provides full colour high resolution images from one all digital microdisplay.

BENEFITS

- Digitally controlled colour and greyscale
- High resolution display, best in-class fill-factor
- Compact, plug 'n play, all digital interface
- Customisable colour gamut
- No sub pixels or colour filters
- Fast switching liquid crystal (typ. 40µs)
- Different display addressing sequences available for diverse applications, customisation service available

FEATURES

- SXGA resolution – 1280 x 1024 pixels
- Reflective microdisplay 0.88"/22.4 mm diagonal
- High fill factor > 96%
- 24-bit colour system
- Gamma correction / dither algorithm
- Refresh rate up to 85Hz at SXGA 24-bit colour
- Digital video input (DVI)
- PC based GUI/API for system integration & control



APPLICATIONS

TRAINING AND SIMULATION

- Monocular viewers
- Biocular viewers
- Binocular viewers
- Head-up displays

MEDICAL IMAGING

- Image injection for surgical microscopes
- Stereoscopic imaging
- Ophthalmic diagnostic Instruments

FILM & TELEVISION PRODUCTION

- High resolution electronic viewfinders (EVFs)

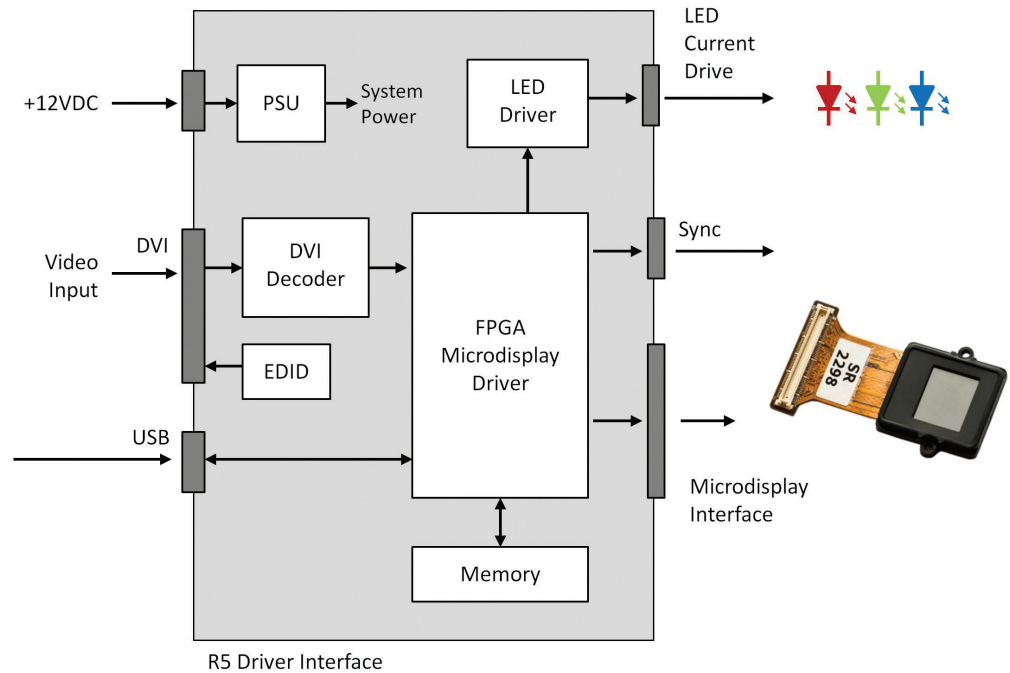
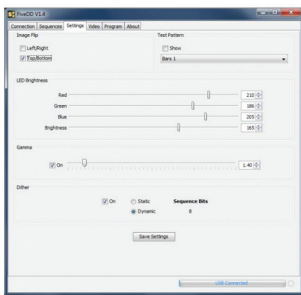


A subsidiary of Kopin Corporation

All pixels, no sub pixels Time Domain Imaging™ SXGA-R5

System Outline

Graphical User Interface
for system set-up
API for in-system control

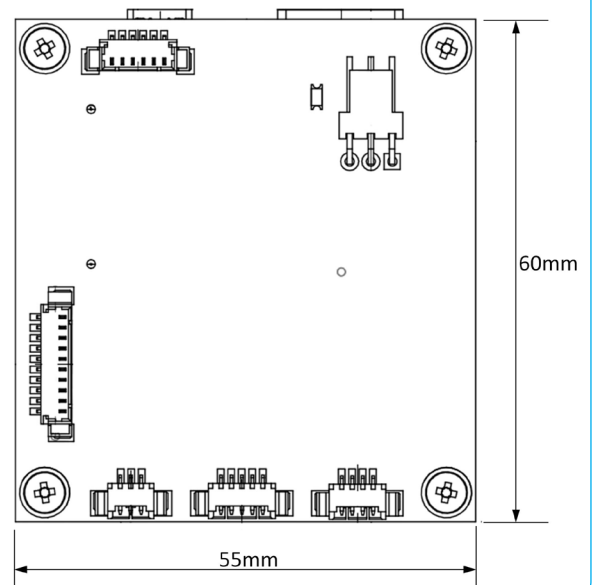


R5 Driver Interface

System Specifications

Resolution	SXGA (1280 x 1024 pixel)
Maximum Refresh Rate	85Hz (SXGA, 24-bit colour) 120Hz (WXGA, 24-bit colour)
Interfaces	DVI / USB 2.0 / RS-232
Synchronisation Outputs	LED Current Drive / LED Enables / V-Sync
Power	+12VDC / 5.4W (including Microdisplay & LED drive)
Weight	69g (Driver Board & Microdisplay)
Operational Temp Range	-10°C to +50°C

Driver Board Dimensions



For further information or to
receive a quotation please contact:

T: +44(0)1383 827950 F: +44(0)1383 827951

E: sales@forthdd.com W: www.forthdd.com



**FORTH
DIMENSION
DISPLAYS**

A subsidiary of Kopin Corporation