



*"a preferred name in load cell technology"*

## Model 40210

### Single Ended Round Beam

#### FEATURES:

- 50-10k pounds capacity
- Dual sealing of gage area
- Nickel plated, high alloy tool steel element
- Low profile
- Replaces RTI 5102
- Exceeds NBS handbook 44
- Factory Mutual (F.M.) Approved †



#### DESCRIPTION:

The Model 40210 single ended beam is ideally suited for harsh environments with its redundant sealing of the strain gage area. The gage area is protected with a waterproof potting material covered by a clamped-in-place neoprene boot. This cell is recommended for low profile platform scales, tank, hopper and bin weighing systems and many other process applications.

#### PERFORMANCE SPECIFICATIONS

<b>Standard Capacities (lbs.):</b>	50, 100, 200, 500, 1K, 2.5K, 5K, 10K
<b>Excitation Voltage:</b>	10VDC - Maximum 15VDC
<b>Rated Output:</b>	2.0 mv/v $\pm$ .1% (2.5% for 50 & 100 lbs.)
<b>Non-Linearity:</b>	< 0.03% FSO (Full Scale Output)
<b>Hysteresis:</b>	< 0.02% FSO
<b>Non-Repeatability:</b>	< 0.01% FSO
<b>Zero Balance:</b>	$\pm$ 1.0% FSO
<b>Bridge Resistance:</b>	350 ohms $\pm$ 1%
<b>Safe Overload:</b>	150% FSO
<b>Temperature:</b>	
<b>Compensated Range:</b>	0 - 150 deg. F
<b>Effect on Output:</b>	< 0.0008% FSO/deg. F
<b>Effect on Zero:</b>	< 0.0015% FSO/deg. F
<b>Finish:</b>	Electroless Nickel / Chrome Plated



**APPROVED**



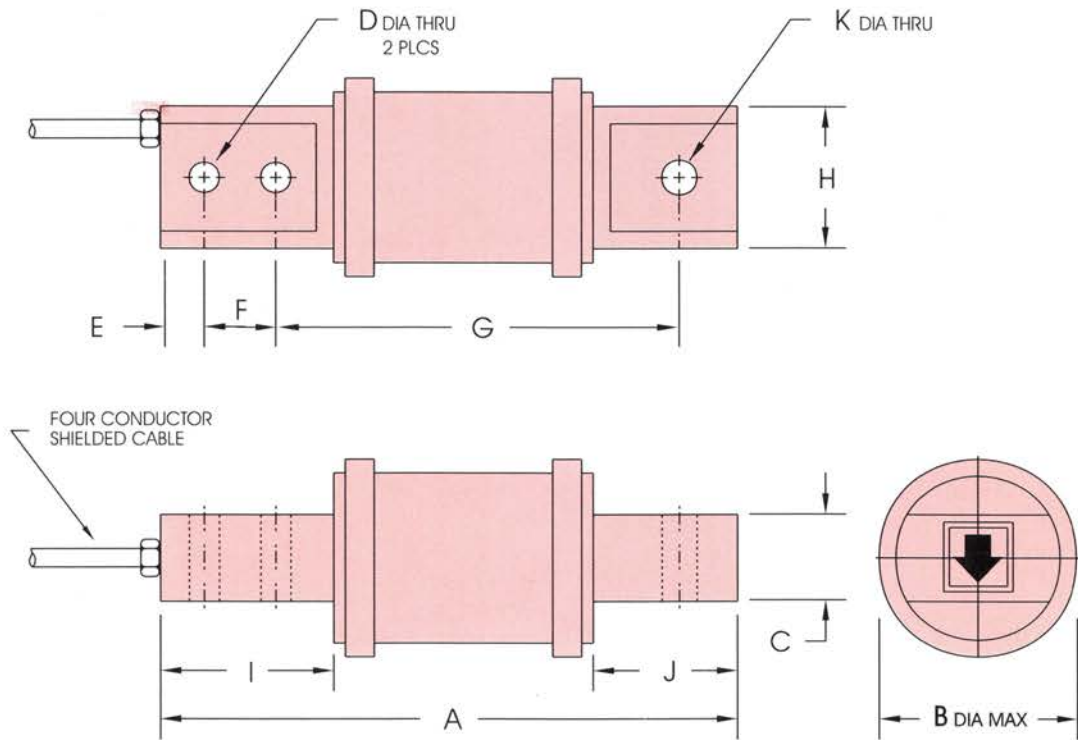
# Model 40210

CAPACITY LBS.	A	B	C	D	E	F	G	H	I	J	K
50 - 200	5.00	1.56	.75	.26	.38	.62	3.50	1.23	1.50	1.25	.39
500 - 1K	5.38	1.56	.75	.41	.62	1.00	3.25	1.23	2.07	1.20	.41
2.5K	5.38	1.56	.75	.41	.62	1.00	3.25	1.23	2.07	1.20	.53
5K - 10K	7.28	2.16	1.38	.66	.75	1.75	4.03	1.70	3.47	1.56	.78

## ELECTRICAL TERMINATION

INPUT      OUTPUT      SHIELD  
 RED (+)    GREEN (+)  
 BLACK (-)    WHITE (-)

## COMPRESSION POSITIVE

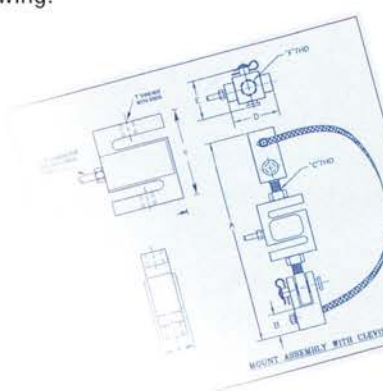


† Factory Mutual Systems approved as intrinsically safe when installed per F.M. approved installation drawing. Contact ARTECH sales department for details.

Represented by:



1966 Keats Drive, Riverside, CA 92501



## ORDER INFORMATION

- ◆ ARTECH is dedicated to maintaining adequate inventories of its Load Cells to provide the best service in the industry.
- ◆ Order by the model number and indicate the capacity required.

- ◆ Custom services such as matched load cell outputs, special threading, and custom calibrations are available on an optional basis at an extra cost.

**Let us know what you need... we listen!**  
**QUALITY • PERFORMANCE • SERVICE**

(951) 276-3331 • (800) 654-8181 • Fax: (951) 276-4556  
 Email: info@artechindustriesinc.com • www.artechindustriesinc.com