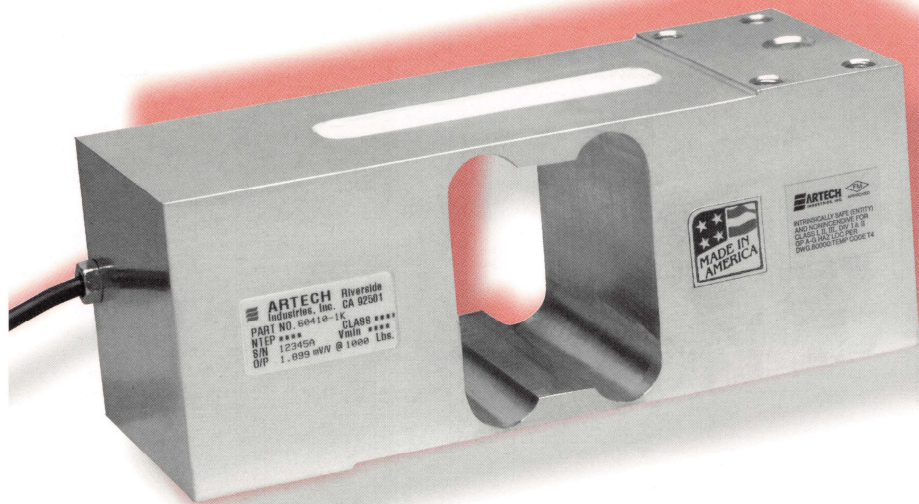




"a preferred name in load cell technology"

Model 60410



Heavy-Duty Single-Point Aluminum Load Cell

FEATURES:

- Capacity range 100-2K pounds
- Single-point platform support
- Anodized aluminum element
- Protective coating on gage area
- 0.02% total error
- Interchangeable with
TedeA 1250 or Transducers 6762
- Factory Mutual (F.M.) Approved †

DESCRIPTION:

The Model 60410 single-point load cell requires a minimum of engineering design to incorporate it into a platform structure since it can be bolted directly to the weighing pan. Its resistance to off-center loading error allows the use of large weighing pans. It is an excellent choice for use in counting scales, bench scales and moderate capacity floor scales.

PERFORMANCE SPECIFICATIONS

Standard Capacities (lbs.):	100, 150, 200, 250, 500, 750, 1k, 1.5k, 2k
Excitation Voltage:	10VDC - Maximum 20VDC
Rated Output:	2.0 mv/v \pm 10%
Non-Linearity:	< 0.02% FSO (Full Scale Output)
Hysteresis:	< 0.02% FSO
Non-Repeatability:	< 0.01% FSO
Zero Balance:	\pm 10% FSO
Bridge Resistance:	
Input:	415 ohms \pm 15 ohms
Output:	350 ohms \pm 4 ohms
Safe Overload:	150% of Rated Capacity
Temperature:	
Compensated Range:	0 - 150 deg. F
Effect on Output:	< 0.0008% FSO/deg. F
Effect on Zero:	< 0.0011% FSO/deg. F
Finish:	Aluminum



Model 60410

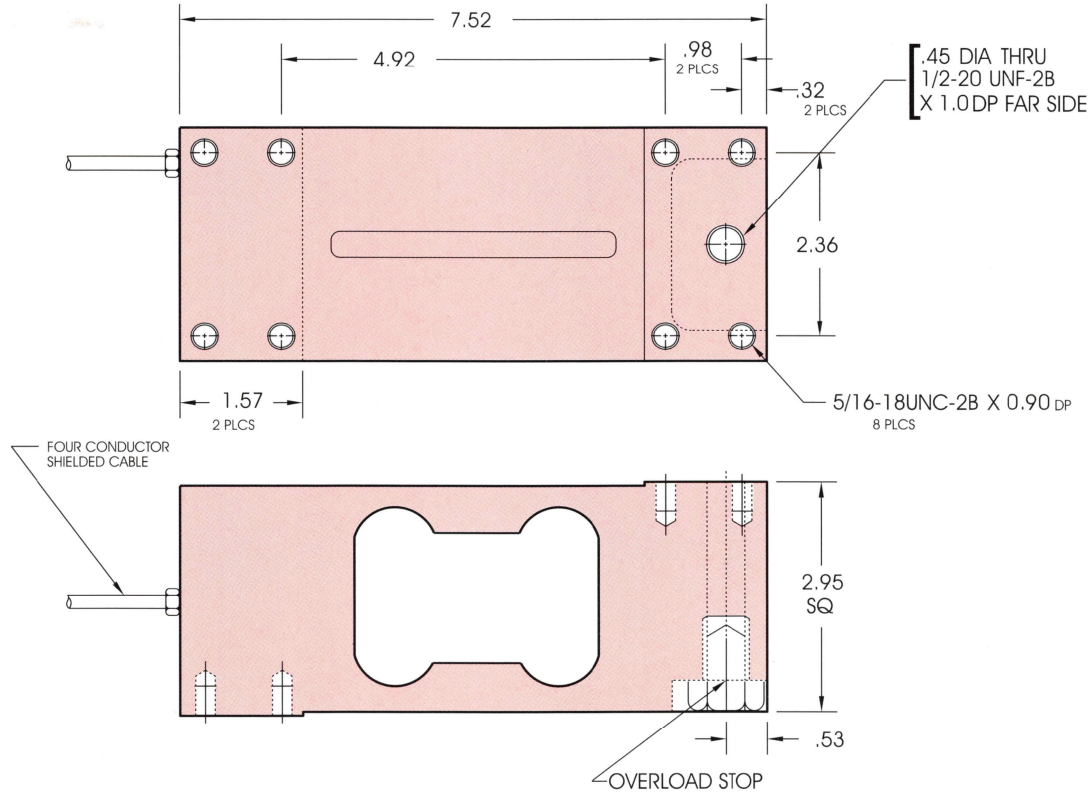


CAPACITY: 100-2K LBS

ELECTRICAL TERMINATION

INPUT	OUTPUT	SHIELD
RED (+)	GREEN (+)	
BLACK (-)	WHITE (-)	

COMPRESSION POSITIVE

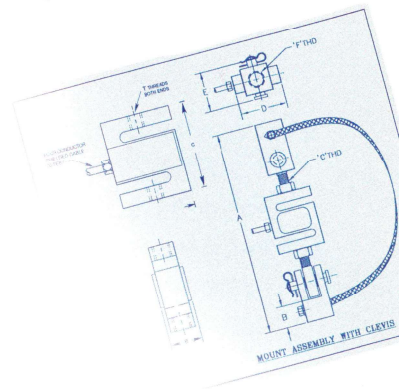


† Factory Mutual Systems approved as intrinsically safe when installed per F.M. approved installation drawing. Contact ARTECH sales department for details.

Represented by:



1966 Keats Drive, Riverside, CA 92501



ORDER INFORMATION

- ◆ ARTECH is dedicated to maintaining adequate inventories of its Load Cells to provide the best service in the industry.
- ◆ Order by the model number and indicate the capacity required.

- ◆ Custom services such as matched load cell outputs, special threading, and custom calibrations are available on an optional basis at an extra cost.

Let us know what you need... we listen!
QUALITY • PERFORMANCE • SERVICE

(951) 276-3331 • (800) 654-8181 • Fax: (951) 276-4556
 Email: info@artechindustriesinc.com • www.artechindustriesinc.com