

# AMR SERIES IV CONNECTORS



**Hydroconn™ AMR IV Series Connectors**

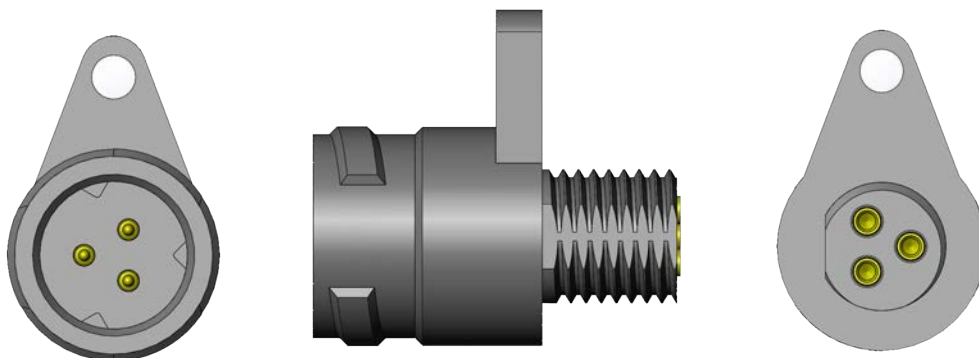
# AMR IV SERIES

Geospace Technologies offers a complete line of AMR connectors specifically designed and manufactured to meet the rugged requirements for in pit, underwater applications. Geospace's unique design ensures total moisture sealing for even the toughest underwater applications, yet they are easily re-entered for troubleshooting a transponder or for a meter swap out. Versions are available that utilize molded in place or potted terminations for sealing. A PCB/Panel Mount version specifically designed and manufactured to be mounted on water meter endpoints, MTUs, or any other place an AMR IV Plug can be connected is also available. All versions are totally intermateable with the Itron In line Connector.

## Cutting-Edge Design and Features

- Special manufacturing process designed to vastly improve cable/ connectors reliability for rugged field applications
- Post molded strain relief from cable to connector with potted option for PVC cable
- Internal/External totally bonded connector
- Flexible TPU and Glass-filled TPU extruded cable jacket and molded connector
- Design prevents misalignment of damaged pins
- Gold-coated pins prevent corrosion and reliable electronic connection

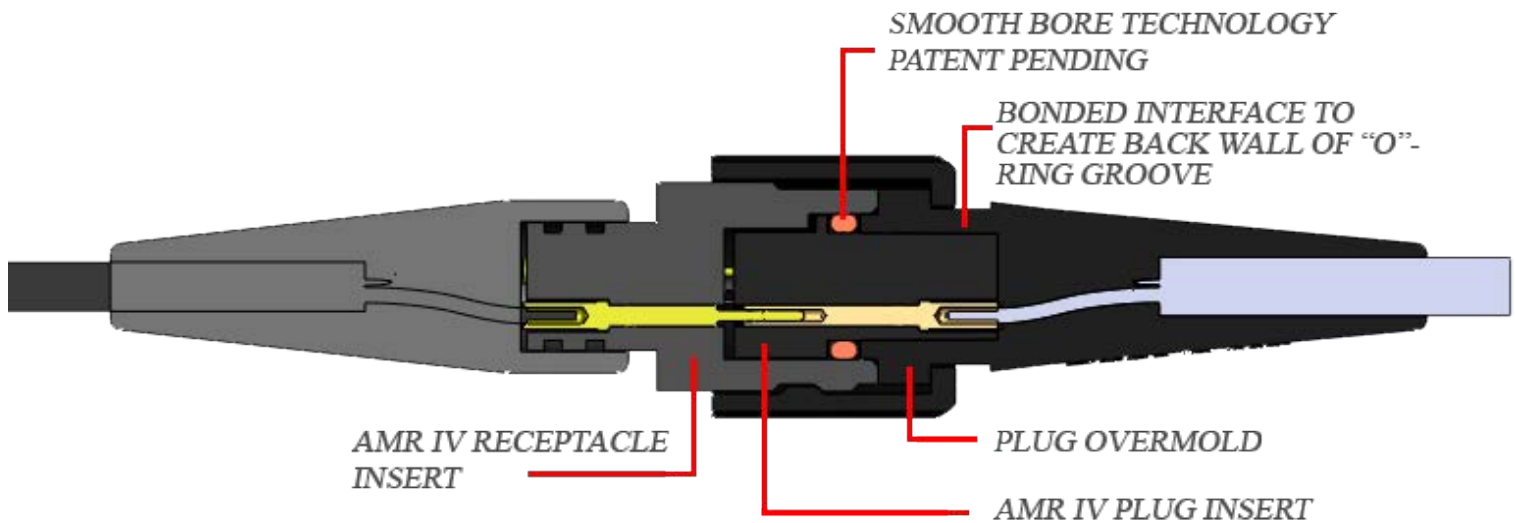
*PCB/Panel Mount Connector's front, side, and back views, respectively.*



# CABLE CONNECTORS

## Hydroconn™ AMR IV Overmolded Cable Mount Connectors

### AMR IV CONNECTION CUT -AWAY



## Specifications

- Connector Material Flexible TPU and Glass Filled TPU
- Contacts Machined 22 AWG Copper Alloy
- Contact Plating 5 $\mu$  inches gold over 50 $\mu$  Ni
- Insulator Glass filled thermoplastic
- Current Rating 7.5 amps
- Voltage Rating 300 V AC/RMS 50Hz
- Insulation Resistance 5000 M $\Omega$  at 500 VDC
- Temperature Rating -20°C to +80°C, Low temp cable flexibility
- Cable Jacket TPU
- Pressure Rating Submersible to 30 meters
- Sealing Method Serviceable O-ring in plug with no parting line in groove

US Patent 9,368,907

All rights reserved. Specifications subject to change at sole discretion of Geospace Technologies.

# PANEL MOUNT CONNECTORS

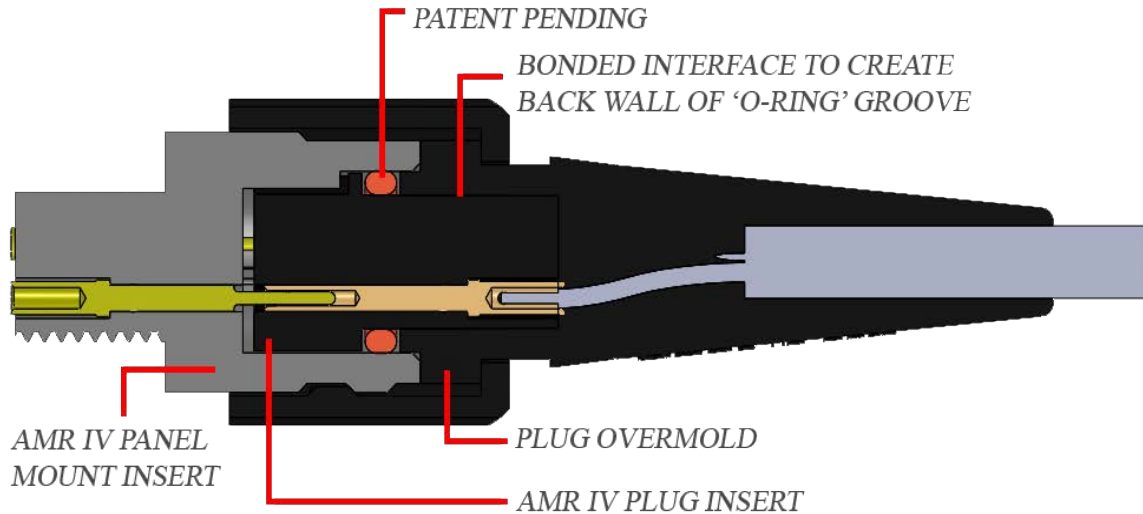
## Hydroconn™ AMR IV PCB/Panel Mount Connectors

### AMR IV CONNECTION CUT-AWAY

SMOOTH BORE TECHNOLOGY

PATENT PENDING

BONDED INTERFACE TO CREATE  
BACK WALL OF 'O-RING' GROOVE



## Specifications

- Connector Material            Glass Filled TPU
- Contacts                        Machined 22 AWG Copper Alloy
- Contact Plating                5 $\mu$  inches gold over 50 $\mu$  Ni
- Insulator                        Glass filled thermoplastic
- Current Rating                 7.5 amps
- Voltage Rating                300 V AC/RMS 50Hz
- Insulation Resistance        5000 M $\Omega$  at 500 VDC
- Temperature Rating         -20°C to +80°C
- Sealing Method                Serviceable O-ring in the plug

US Patent 9,368,907

All rights reserved. Specifications subject to change at sole discretion of Geospace Technologies.



7007 Pinemont Drive • Houston, Texas 77040 USA

[www.geospace.com](http://www.geospace.com)

Tel: 713-986-4444 • Fax: 713-986-4445

**GEOSPACETechnologies**  
ENGINEERING RESOURCES INTERNATIONAL, INC.

Geospace Technologies, Canada  
2735 - 37th Avenue N.E.  
Calgary, Alberta,  
T1Y 5R8 Canada  
403 250-9600

Geospace Technologies, China  
Room 700, 7th Floor  
Lido Office Tower, Lido Place  
Jichang Road, Jiang Tai Road  
Beijing, 100004, P.R.China  
011 (86) 10 6437 8768

Geospace Technologies  
Sucursal Sudamericana  
Carrera 127-22 G 28 Int. 30  
Agrupación Industrial La Esperanza  
Bogotá, Colombia  
011-57-1-742-7414

Geospace Technologies, Eurasia  
Kirovogradskaya, 36  
Ufa, Baskortostan  
Russia 450001  
011 (7) 3472 25 39 73

Geospace UK  
F3 Bramingham Business Park,  
Enterprise Way, Luton  
Bedfordshire LU3 4BU, England  
011 44 (0) 7775 688 467