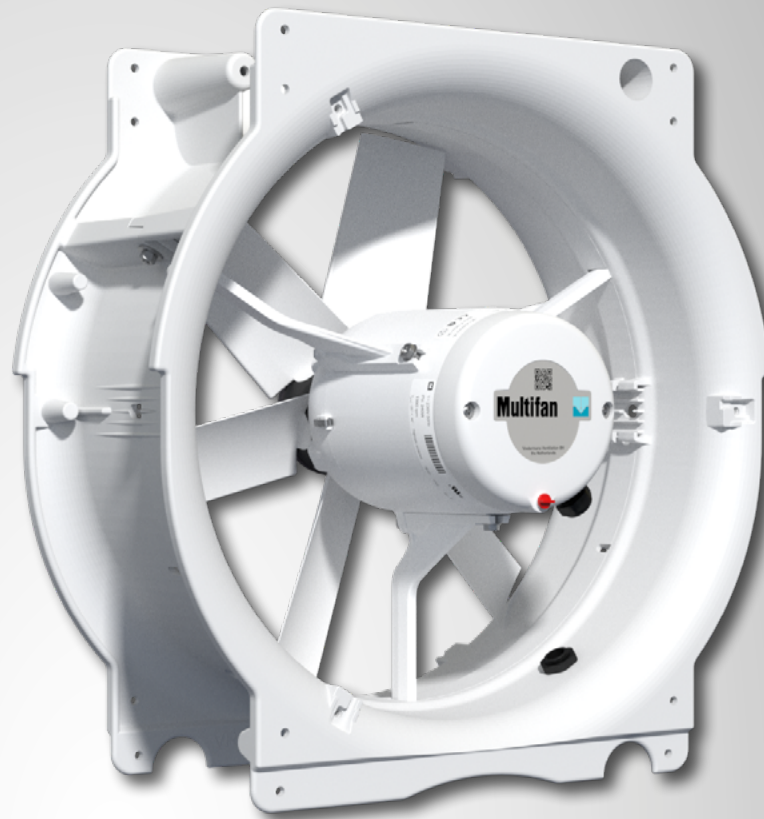


Multifan



Circulation fans

The next level of greenhouse energy efficiency



VOSTERMANS
VENTILATION

YOUR SPECIALIST IN AIR

Multifan Circulation Fans

The next level of energy efficiency

The EU-Ecodesign directives for fans (Energy Related Product – ErP) and for motors (IE2/3/4) are leading in our development of new motors and fans for greenhouses.

A grower wants to optimize productivity, next to reducing carbon footprint. Active climate control guarantees growers uniform climate conditions resulting in less temperature differences (avoiding cold spots), better distribution and absorption of CO₂ and lowering the risk of humidity related diseases (botrytis). A crucial part of active climate control is the specific selection of the right fan, always based on your greenhouse conditions.



Why choose this fan:

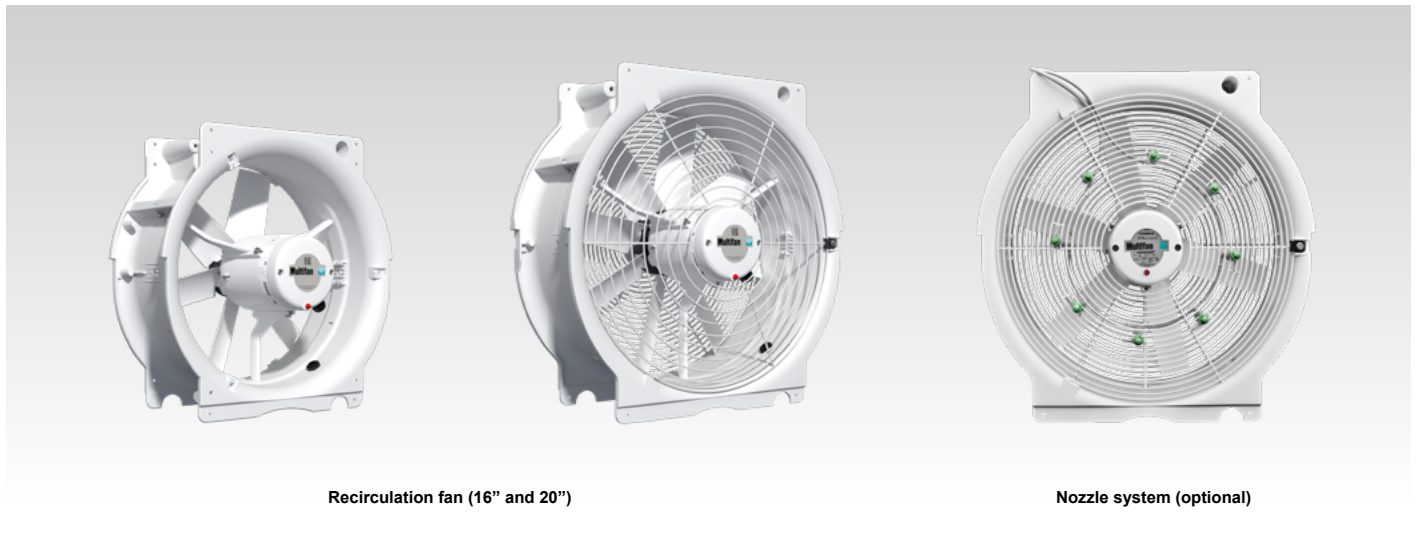
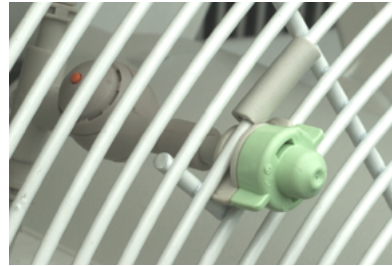
- Considerable increase in energy efficiency compared to previous versions
- Complies with upcoming ErP energy regulation
- Easy to mount/remove wire guards
- Easy to maintain motor/impeller construction
- 3-year warranty

Features:

- Aerodynamic inlet radius for optimized air distribution
- High insulation class F / IP55
- Built-in thermal protection for single phase
- Housing suitable for suspension with profiles or chains
- Wire guards in accordance with CE-standards
- Serial- or parallel ventilation systems
- Reflecting white color for usage in greenhouses
- Compact design for less shadow

Options:

- Motors for different voltages and 50Hz or 60Hz.
- Three phase motor adapted for frequency control
- Cable + Plug
- Built-in thermal protection for three phase
- Nozzle system set for 20" cm Recirculation fan
 - 8 Nozzles with hoses
 - Wire guard
 - Easy to install
 - Requested 4 bar water pressure



Recirculation fan (16" and 20")

Nozzle system (optional)



Multifan products are well-known for consistent high quality, durability and longevity with worldwide availability. Our motors are produced in-house, and optimal motor-impeller combination ensure energy efficient and high performance fans.

Service

Our well trained dealer network on a location near you will provide advice and service. They can work with you defining your specifications at the start of your project, support you with the installation and maintain your equipment after installation. When needed, the Vostermans Customer Care team is available for additional support. We enjoy sharing our knowledge, based on more than 65 years of experience in agriculture ventilation and circulation.

Technical data

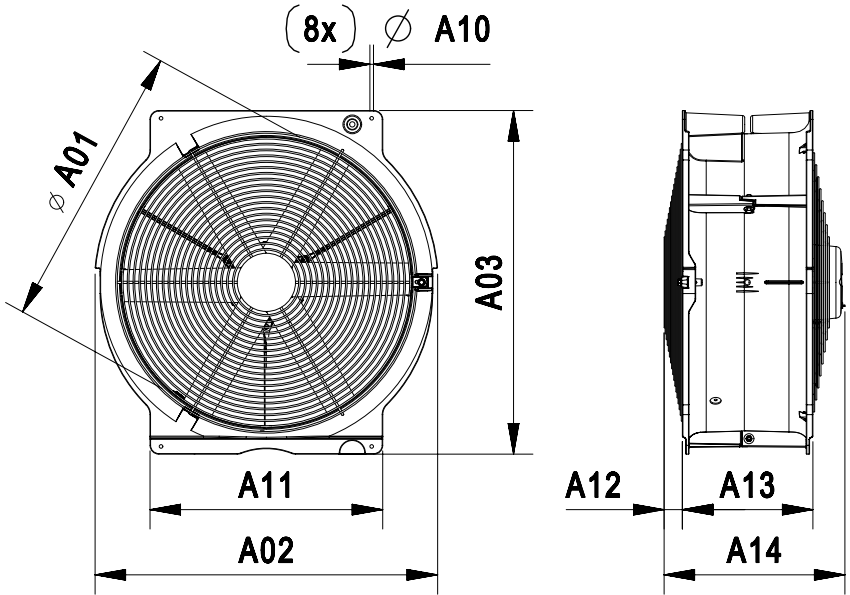
Item	ø (Inch)	Power supply		RPM	P _{in} (W)	I (A) nom	Q _v (CFM)	CFM/W @ 0 Pa	Controllability*	Throw (1,6ft/s)	
T4E40L3M81100	16	1	120	60	1,615	290	1.4	3,350	11.5	E / T	166
T6E50K4M81100	20	1	120	60	1,150	200	1.9	3,850	18.9	E / T	158
T4E50L1M81100	20	1	120	60	1,560	410	3.4	4,750	11,7	E / T	193
T4E40L2M81100	16	1	208	60	1,585	280	1.4	3,250	11.5	E / T	164
T4E50K8M81100	20	1	208	60	1,615	450	2.2	5,100	11.4	E / T	207
T4E40KBM81100	16	1	240	60	1,600	270	1.2	3,200	11.6	E / T	164
T6E50KBM81100	20	1	240	60	1,140	190	0.8	3,750	19,9	E / T	156
T4E50K9M81100	20	1	240	60	1,540	440	1.8	4,750	10,9	E / T	193
T4E40KAM81100	16	1	277	60	1,540	270	1.1	3,150	11.6	E / T	160
T4D40L4M81100	16	3	265 / 460	60	1,610	260	1.0 / 0.6	3,200	11.3	T / F	163
T6D50K5M81100	20	3	265 / 460	60	1,155	180	0.8 / 0.5	3,800	21.6	T / F	155
T4D50L1M81100	20	3	265 / 460	60	1,660	460	1.8 / 1.1	5,100	11.1	T / F	208

* Controllable Electronically (E) or by Transformer (T). For Frequency (F) drive compatible fans, contact our sales team.

** For any other request please contact our sales team.



Dimensions



Dimensions								
ϕ Inch	A01	A02	A03	A10	A11	A12	A13	A14
16	16 1/2	20 1/4	20 1/2	1/4	14 1/4	1	8 1/2	12 1/4
20	20 1/2	24 1/2	24 1/2	1/4	16 1/2	1	9 1/4	12 3/4

Why choose Vostermans Ventilation:

LOYAL TO YOU

We care for your specific needs based on our long expertise. In close cooperation with you we secure your business outcomes.

RELIABLE

Since our foundation in the Netherlands in 1952, we maintain our reputation as reliable partner. Our carefully selected global network of independent distributors strive to deliver you dedicated service and expertise.

FUTURE PROOF

Our future proof approach, which combines energy efficiency solutions with robust quality and rigorous testing, is based on a genuine commitment to serve as a trusted partner.

Vostermans Ventilation is a global developer and manufacturer of sustainable axial fans for the agricultural and industrial market. Sustainability is key for Vostermans. Their premium brandlines Multifan and EMI are showcasing the drive for advanced energy efficient fans. The company applies continuous innovation and research in their own motor production facility and in house state of the art R&D department. Vostermans Ventilation, part of Vostermans Companies founded in 1952, is based in Venlo, the Netherlands and operates in USA, China and Malaysia.



YOUR SPECIALIST IN AIR

All rights reserved. Vostermans Companies is not responsible for inaccurate or incomplete data. In case of any questions and / or remarks please contact ventilation@vostermans.com. Subject to alterations 11/2019

Venlo - The Netherlands
 Tel. +31 (0)77 389 32 32
ventilation@vostermans.com

Bloomington - USA
 Tel. +1 309 827-9798
ventilation@vostermansusa.com

Tmn Klang Jaya - Malaysia
 Tel. +60 (0)3 3324 3638
ventilation@vostermansasia.com

Shanghai - China
 Tel. +86 21 5290 2889/2899
ventilation@vostermanschina.com