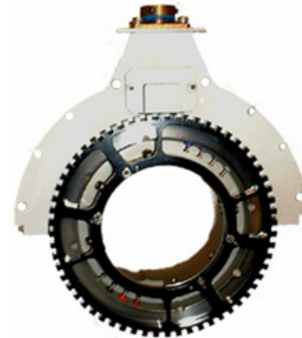


Tubular Slip Ring Assembly

Models B8-2/E60

- 8 circuit slip rings
- Compact design
- Mounts on shafts up to 2" in diameter
- Permanently lubricated bearings
- Rugged stainless steel construction
- Instrumentation quality rings and brushes
- 60 pulse per revolution encoder option



Description

Michigan Scientific's *B Series Slip Ring Assemblies* are ideal for applications that require the slip ring to be mounted directly on a rotating shaft. Typically used for automotive drive shaft measurement applications, they are designed to fit on shafts up to 2" in diameter and make an electrical connection to strain gages, thermocouples, or other sensors that have been installed on rotating equipment. The slip ring brushes and rings are made of precious metals, which minimize noise and enable the assemblies to be used for low level instrumentation signals.

The *B8-2/E60* is particularly useful for drive shaft applications where both torque and thrust measurements are needed. In addition, the *B8-2/E60* provides enough circuit connections for measuring up to five amplified strain gage or thermocouple signals. Michigan Scientific's precision strain gage and thermocouple amplifiers, positioned on the rotation side of the slip ring, greatly improve signal quality. They reduce the amount of errors due to long lead wires, connector resistance variations, electro-magnetic interference, and temperature gradients across slip ring contacts.

Connections are made through color coded solder terminals located on the slip ring rotor and a connector on the slip ring stator. Each slip ring assembly includes a 15 ft. cable with a single mating connector attached. The compact-width design of these slip rings make them ideal for applications where limited space is available.

Encoder option

The encoder included in the *B8-2/E60 Tubular Slip Ring Assembly* produces a 60 pulse/revolution 5-volt square wave. The TTL compatible signal is produced by a hall-effect sensor, which allows speed to be determined down to 0 rpm. The voltage required to drive the encoder can range from 5.5 to 45 DC volts.

8500 Ance Road
Charlevoix, MI 49720
Tel: 231-547-5511
Fax: 231-547-7070

MICHIGAN SCIENTIFIC
<http://www.michsci.com>
Email: mscinfo@michsci.com
corporation

321 East Huron Street
Milford, MI 48381
Tel: 248-685-3939
Fax: 248-685-5406

4/13/13

Rev. A

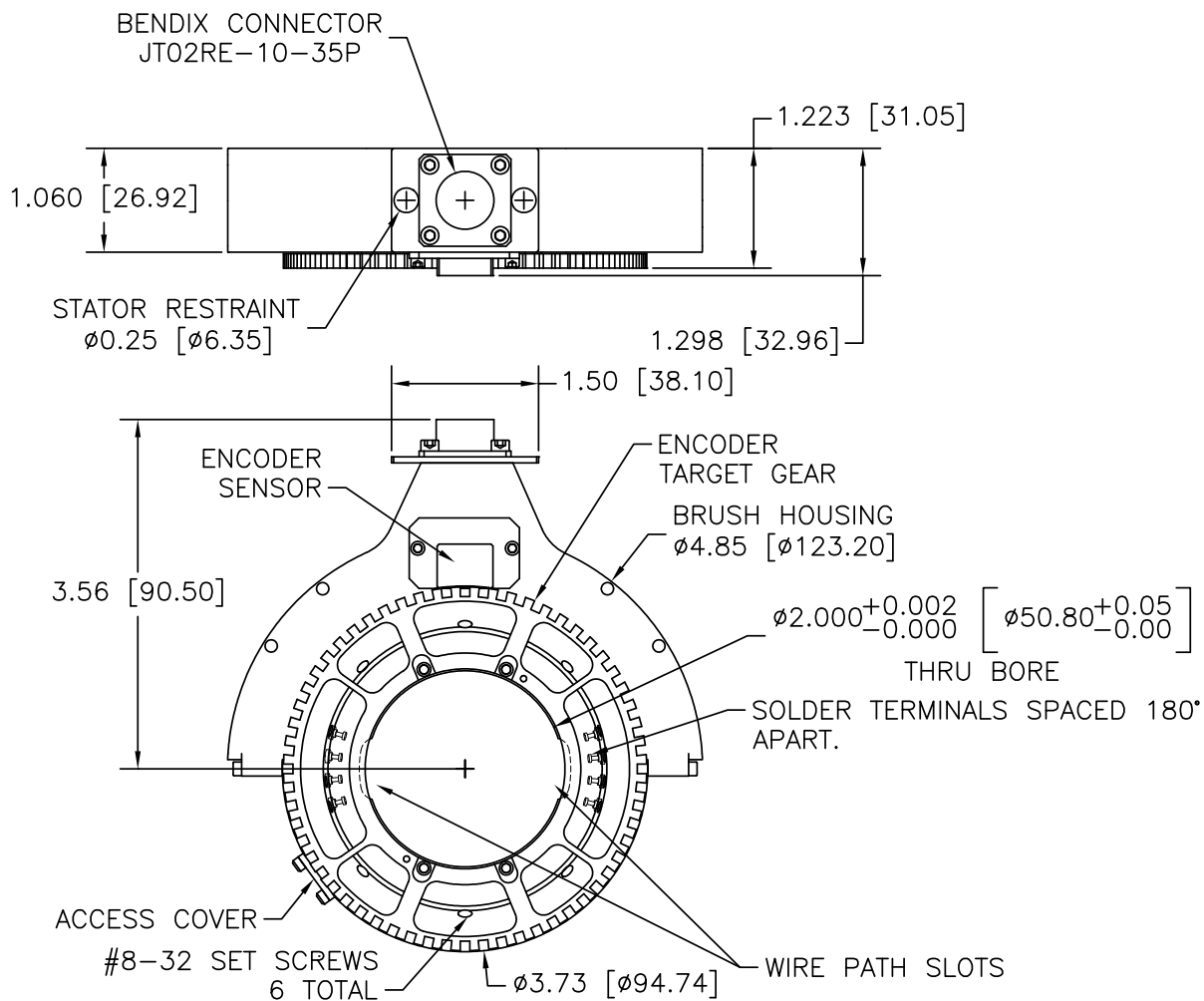
Tubular Slip Ring Assembly

Specifications

	B8-2/E60
Circuits	8
Current Capacity	1A
Temperature Range	-40°F to 250°F (-40°C to 121°C)
RPM Rating	7000 RPM
Maximum Peak Noise*	0.1Ω
Width	1.30 in. (32.96 mm)
Weight	1.9 lbs (0.86 kg)
Output Connector	Bendix JT02RE-10-35P

* Resistance variation across slip ring contact.

B8-2/E60 Configuration



15 FT. CABLE WITH MATING CONNECTOR INCLUDED WITH SLIP RING.

C566025A
B8-2/E60
10/19/2006

8500 Ance Road
Charlevoix, MI 49720
Tel: 231-547-5511
Fax: 231-547-7070
4/13/13

MICHIGAN SCIENTIFIC
corporation

<http://www.michsci.com>
Email: mcsinfo@michsci.com

321 East Huron Street
Milford, MI 48381
Tel: 248-685-3939
Fax: 248-685-5406