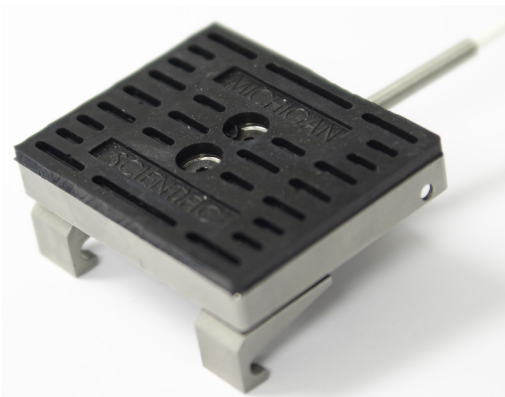


Low Profile Brake Pedal Force Transducer

Model BPFT3

- 500 lb (2200 N) capacity
- High accuracy for on and off center loading
- Fits smaller brake pedals, for example vehicles with manual transmissions
- Rugged construction
- Can be used to quickly verify brake loads when paired with Michigan Scientific's *Transducer Display Module (TDM)*



Description

The Michigan Scientific *Low Profile Brake Pedal Force Transducer 3 (BPFT3)* is a precision strain gage based transducer. It attaches directly onto a vehicle's brake pedal quickly and securely by removing the rubber pad from the vehicle's brake pedal and tightening the single retaining bolt to the padless pedal. Designed to accommodate the brake pedal size of most manual transmission equipped vehicles, the low profile and size closely duplicates the shape and feel of a production brake pedal, while adding minimal height and weight. It features high accuracy for both on-center and off-center loading.

Specifications

Maximum Load Capacity	500 lbs (230 kg)
Full Scale Load	500 lbs (230 kg)
Full Scale Output	1.5 mV/V, nominal
Sensor	1 Four-arm strain gage bridges
Nonlinearity	0.5% of full scale output
Hysteresis	0.1% of full scale output
Bridge Resistance	350 Ω
Temperature Effect on Zero	0.008% reading/ $^{\circ}\text{F}$ (0.0015% reading/ $^{\circ}\text{C}$)
Temperature Range, Useable	-40 $^{\circ}\text{F}$ to 300 $^{\circ}\text{F}$ (-40 $^{\circ}\text{C}$ to 149 $^{\circ}\text{C}$)
Excitation Voltage, Maximum	10V DC or AC rms
Insulation Resistance, Bridge/Case	Exceeds 5000 M Ω
Standard Cable Length	10 ft (3.05 m)
Weight	10.8 oz (300 g)

8500 Ance Road
Charlevoix, MI 49720
Tel: 231-547-5511
Fax: 231-547-7070
05-4-17
Rev. A

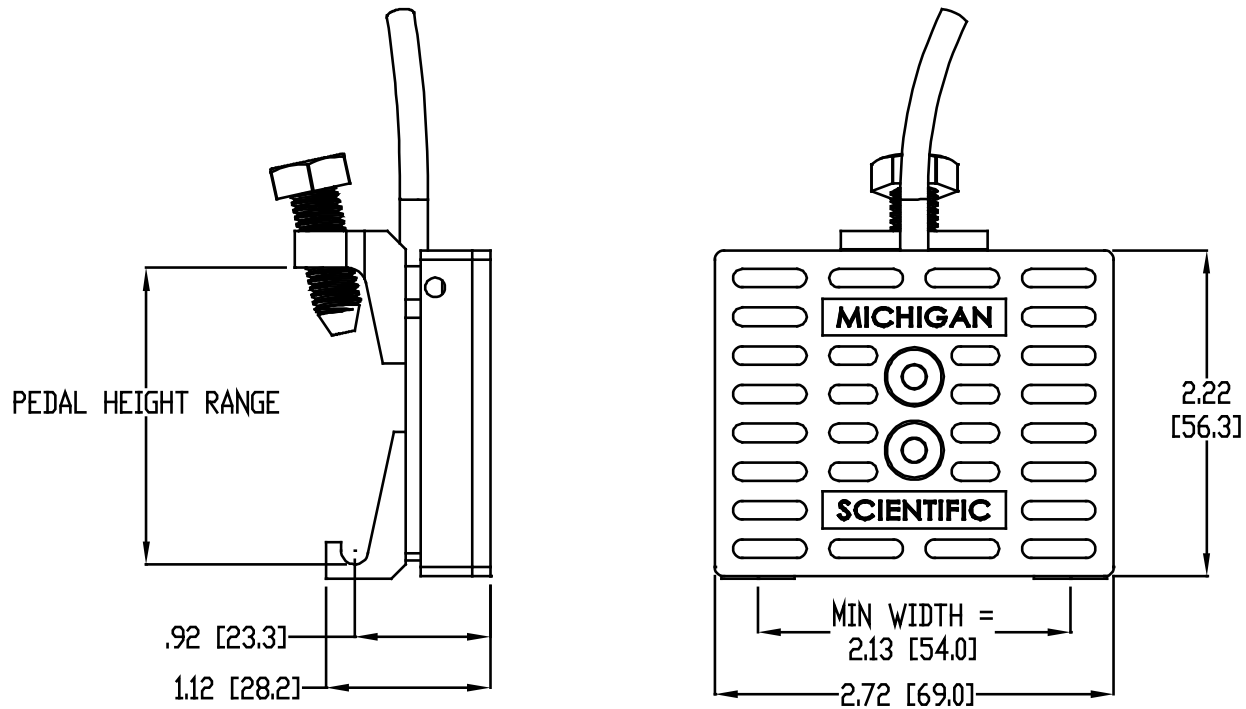
MICHIGAN SCIENTIFIC
corporation

<http://www.michsci.com>
Email: mscinfo@michsci.com

321 East Huron Street
Milford, MI 48381
Tel: 248-685-3939
Fax: 248-685-5406

Low Profile Brake Pedal Force Transducer

BPFT3 Configuration



CLAMP SET	MAX PEDAL HEIGHT*	MIN PEDAL HEIGHT*
STANDARD**	2.0 [50.8]	1.5 [38.1]
EXTENDED	3.0 [76.2]	2.0 [50.8]

*BPFT3 is mounted onto pedal frame with rubber pad removed.

Clamping range is of the height of this frame only.

**Units are shipped with standard clamp set unless requested otherwise.

Clamp sets can be easily changed by the customer.

Dimensions are in inches [mm].

M466010B

BPFT3

02/17/2013

Contact factory for more options on clamping width range.