

FEATURES/CARATTERISTICHE

Pump HV/Pompa HV: Vertical centrifugal monobloc
Verticale centrifuga monoblocco

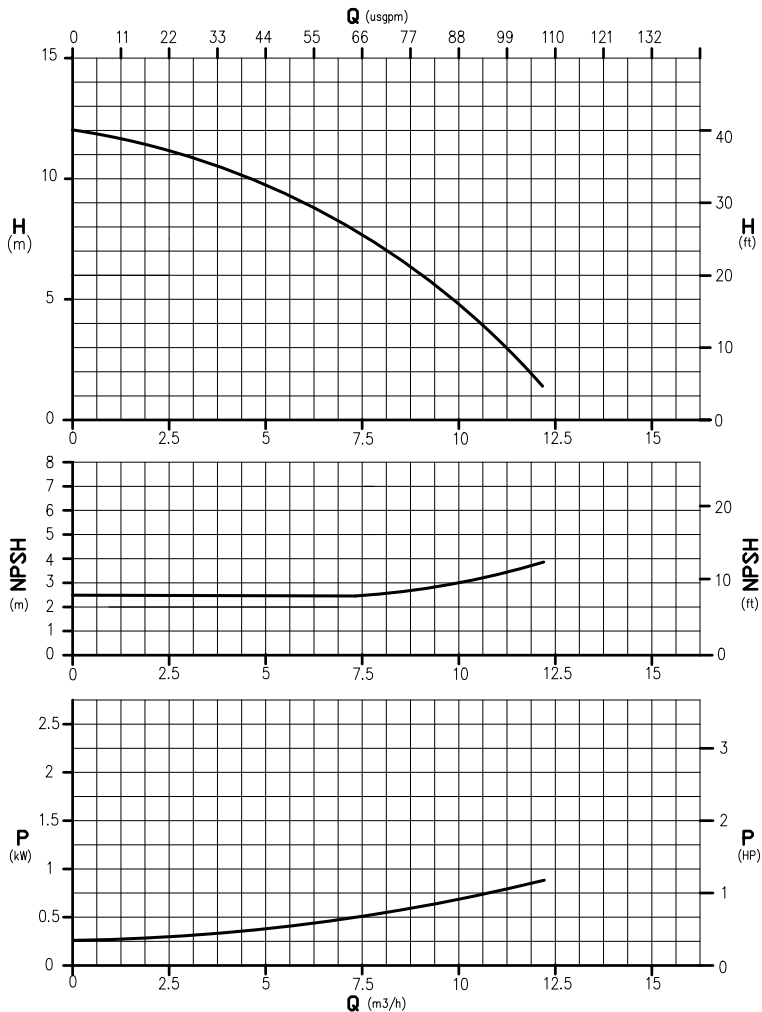
Materials available/Materiali disponibili: PP-PVDF

Max flow/Portata massima: 12 m³/h

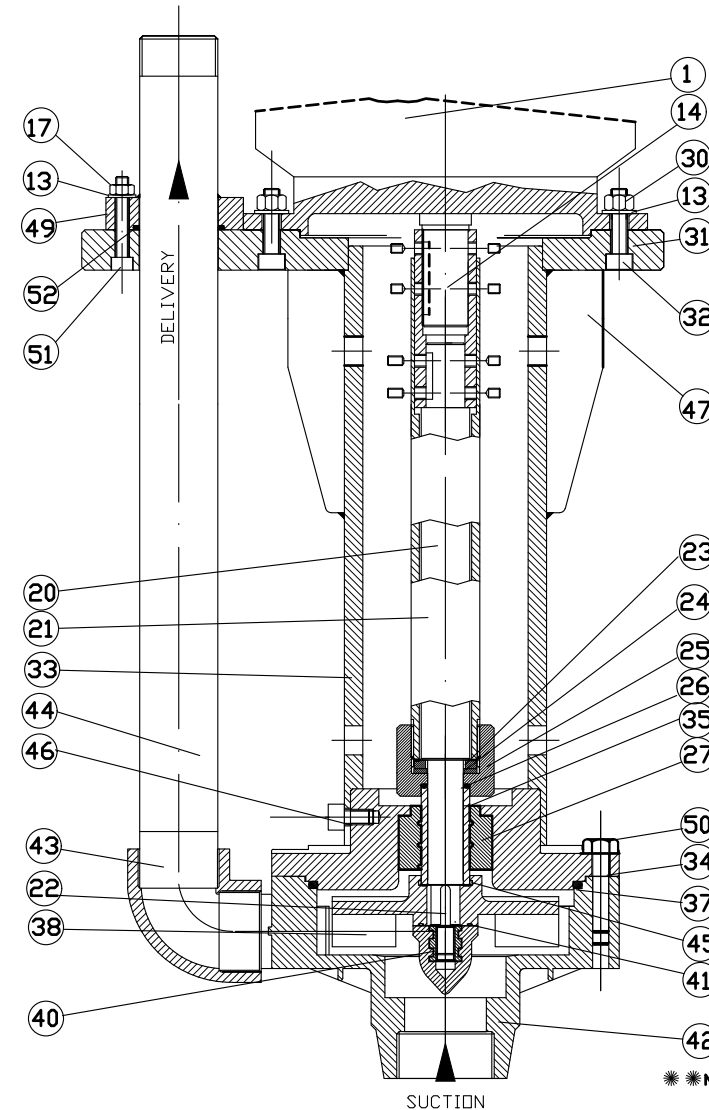
Max head/Prevalenza massima: 12m

Max temperature/Temperatura massima: PP 60°C/PVDF 90°C

CURVES/CURVE 50HZ-2900 RPM



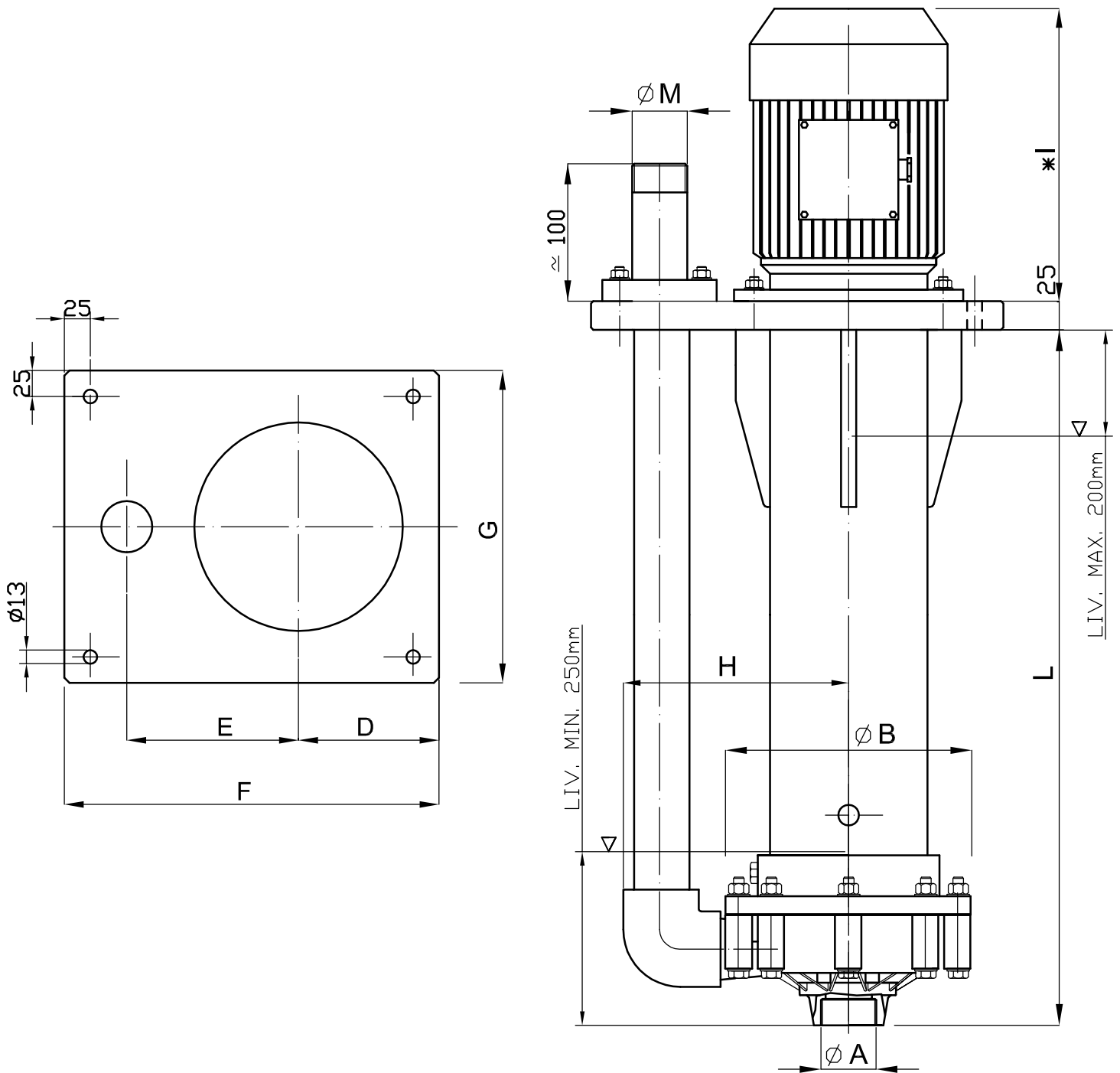
SECTION AND PARTS LIST/SEZIONE E LISTA PARTI



| POS | DESCR. | MAT. |
|------|------------------|---------------|
| 1 | Motor | |
| 13 | Washer | AISI304 |
| 14 | Motor-Pump Joint | C40 |
| 17 | Nut | AISI304 |
| 20 | Shaft | C40 |
| 21 | Shaft covering | PP |
| 22 | Key | AISI304 |
| 23 | Washer | AISI304 |
| 24 | Washer | AISI304 |
| 25 | Guide shaft cov. | PP |
| 26 | O-ring | EPDM/VITON |
| 27 | Bushing | PTFEC |
| 30 | Nut | AISI304 |
| 31 | Plate | PP |
| 32 | Screw | AISI304 |
| 33 | Column | PP |
| 34 | Cover | PP+GF/PVDF+CF |
| 35 | Wear bushing | Al203 |
| 37 | O-ring | EPDM/VITON |
| 38 | Impeller | PP/PVDF |
| * 40 | Nut | PP+GF/PVDF+CF |
| 41 | O-ring | EPDM/VITON |
| 42 | Pump head | PP+GF/PVDF+CF |
| 43 | Elbow | PP/PVDF |
| 44 | Flow pipe | PP/PVDF |
| 45 | O-ring | EPDM/VITON |
| 46 | Screw | PVDF |
| 47 | Reinforced wing | PP |
| 49 | Flange | PP |
| 50 | Screw | PVC |
| 51 | Screw | AISI304 |
| 52 | O-ring | EPDM/VITON |

** NUT WITH SS INSERT COVERED WITH PP/PVDF

DIMENSIONS/DIMENSIONI D'INGOMBRO



| PUMP TYPE | MOTOR FLANGE B5 | POT. Kw | DIMENSIONS - mm - | | | | | | | | | L |
|-----------|-----------------|---------|-------------------|-------------|----------|-----|-----|-----|-----|-----|----------|--|
| | | | ϕA | ϕM | ϕB | D | E | F | G | H | $\ast I$ | |
| HV 95 | G 80 2A | 0.75 | 2" FEMALE | 1"1/2" MALE | 215 | 135 | 165 | 360 | 300 | 196 | 215 | A RICHIESTA DA 500 A 1000mm ON REQUEST FROM 500 TO 1000mm |

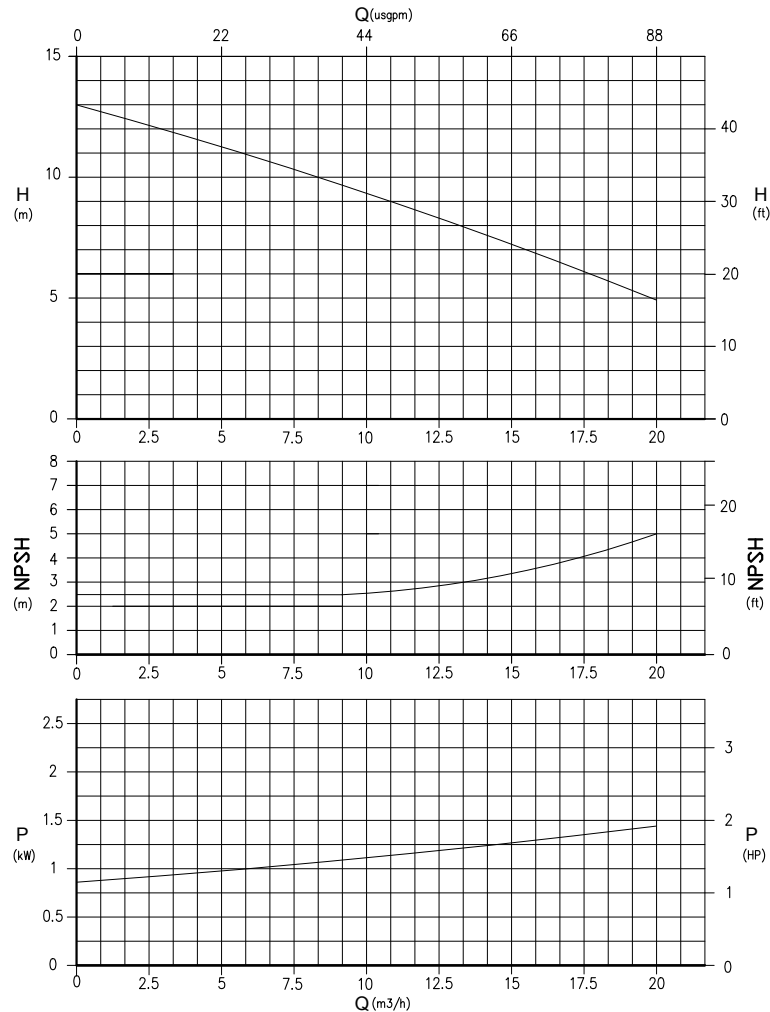
* Different according to the manufacturer / Diverso a seconda del fornitore

FEATURES/CARATTERISTICHE

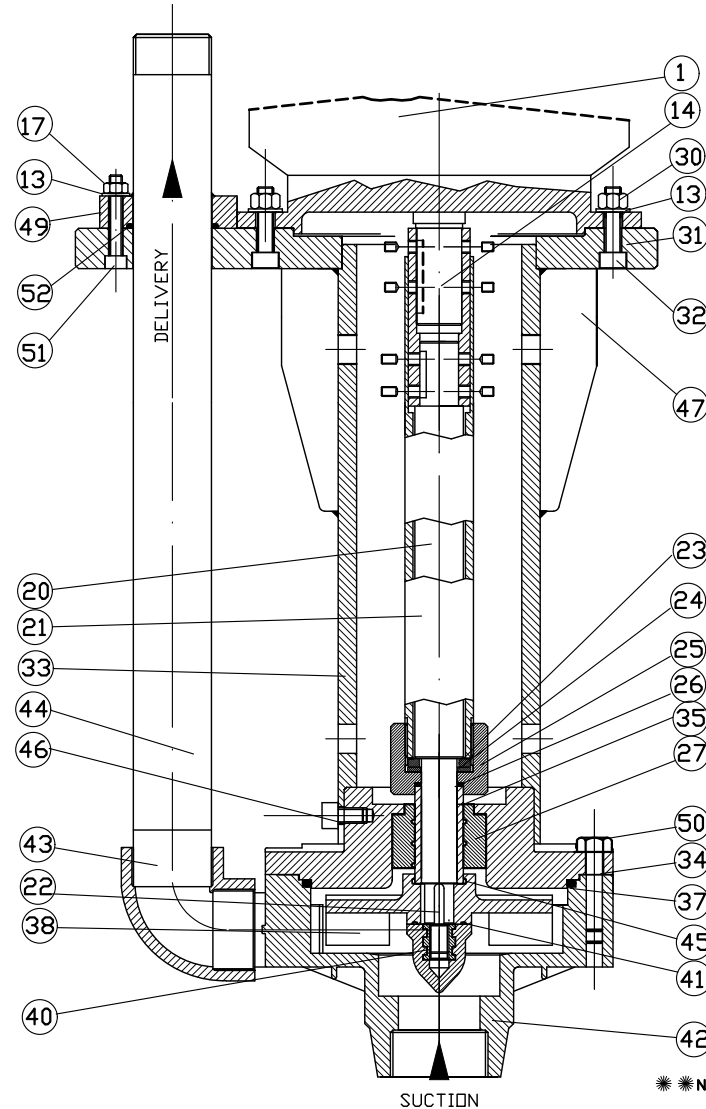
Pump HV/Pompa HV: Vertical centrifugal monobloc
Verticale centrifuga monoblocco

Materials available/Materiali disponibili: PP-PVDF
Max flow/Portata massima: 20 m³/h
Max head/Prevalenza massima: 13 m
Max temperature/Temperatura massima: PP 60°C/PVDF 90°C

CURVES/CURVE 50HZ-2900 RPM



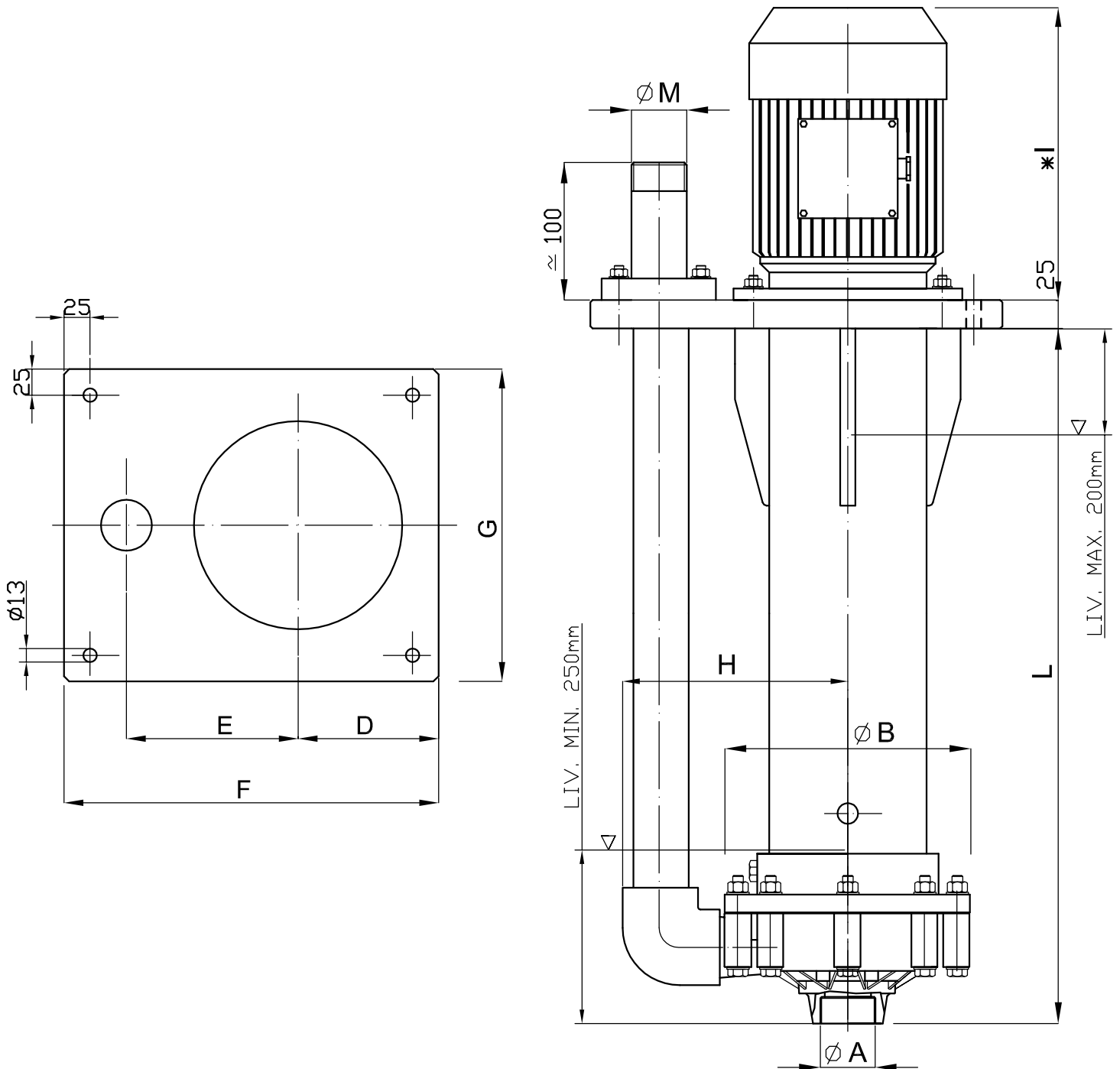
SECTION AND PARTS LIST/SEZIONE E LISTA PARTI



| POS. | DESCR. | MAT. |
|------|------------------|---------------|
| 1 | Motor | |
| 13 | Washer | AISI304 |
| 14 | Motor-Pump Joint | C40 |
| 17 | Nut | AISI304 |
| 20 | Shaft | C40 |
| 21 | Shaft covering | PP |
| 22 | Key | AISI304 |
| 23 | Washer | AISI304 |
| 24 | Washer | AISI304 |
| 25 | Guide shaft cov. | PP |
| 26 | O-ring | EPDM/VITON |
| 27 | Bushing | PTFEC |
| 30 | Nut | AISI304 |
| 31 | Plate | PP |
| 32 | Screw | AISI304 |
| 33 | Column | PP |
| 34 | Cover | PP+GF/PVDF+CF |
| 35 | Wear bushing | Al203 |
| 37 | O-ring | EPDM/VITON |
| 38 | Impeller | PP/PVDF |
| 40 | Nut | PP+GF/PVDF+CF |
| 41 | O-ring | EPDM/VITON |
| 42 | Pump head | PP+GF/PVDF+CF |
| 43 | Elbow | PP/PVDF |
| 44 | Flow pipe | PP/PVDF |
| 45 | O-ring | EPDM/VITON |
| 46 | Screw | PVDF |
| 47 | Reinforced wing | PP |
| 49 | Flange | PP |
| 50 | Screw | PVC |
| 51 | Screw | AISI304 |
| 52 | O-ring | EPDM/VITON |

*** NUT WITH SS INSERT COVERED WITH PP/PVDF

DIMENSIONS/DIMENSIONI D'INGOMBRO



| PUMP TYPE | MOTOR FLANGE B5 | POT. Kw | DIMENSIONS - mm - | | | | | | | | | L |
|-----------|-----------------|---------|-------------------|-------------|-----|-----|-----|-----|-----|-----|-----|--|
| | | | Ø A | Ø M | Ø B | D | E | F | G | H | * I | |
| HV 110 | G 80 2B | 1.1 | 2" FEMALE | 1 1/2" MALE | 215 | 135 | 165 | 360 | 300 | 196 | 230 | A RICHIESTA DA 500 A 1000mm ON REQUEST FROM 500 TO 1000mm |

* Different according to the manufacturer / Diverso a seconda del fornitore

FEATURES/CARATTERISTICHE

Pump HV/Pompa HV: Vertical centrifugal monobloc
Verticale centrifuga monoblocco

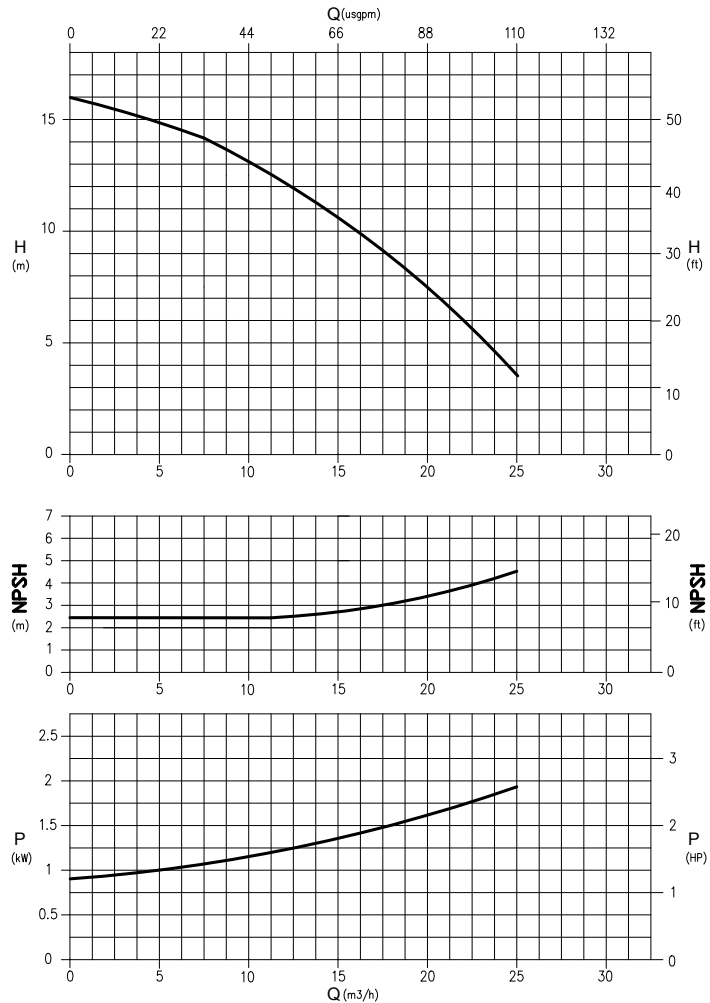
Materials available/Materiali disponibili: PP-PVDF

Max flow/Portata massima: 25 m³/h

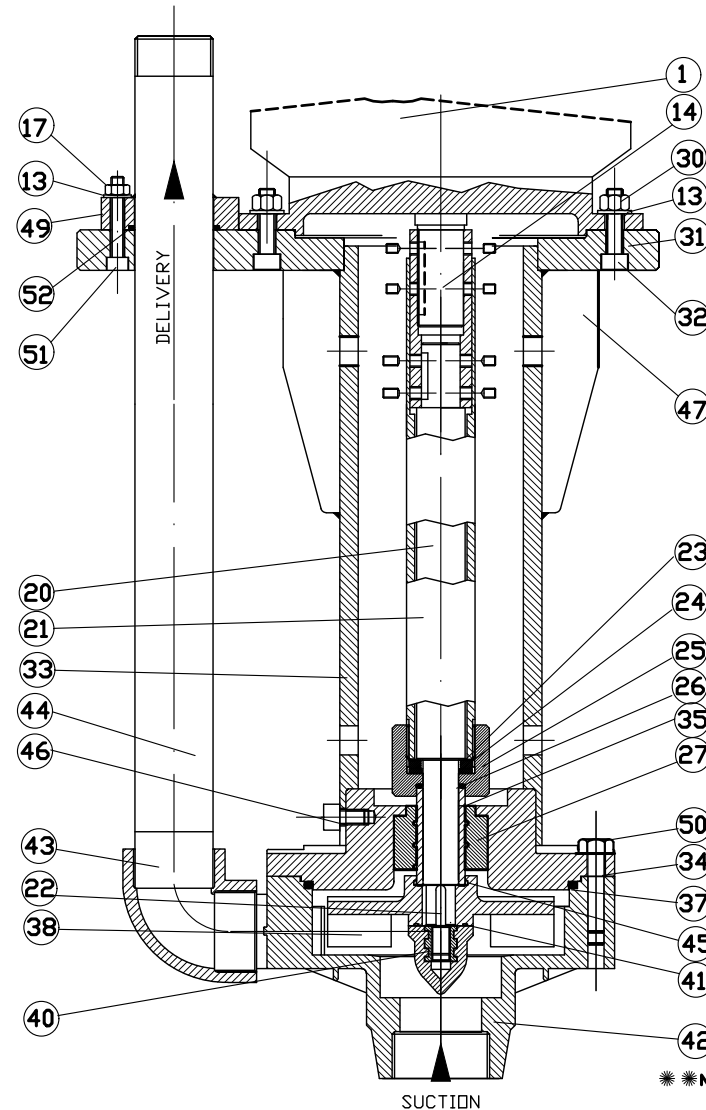
Max head/Prevalenza massima: 16 m

Max temperature/Temperatura massima: PP 60°C/PVDF 90°C

CURVES/CURVE 50HZ-2900 RPM



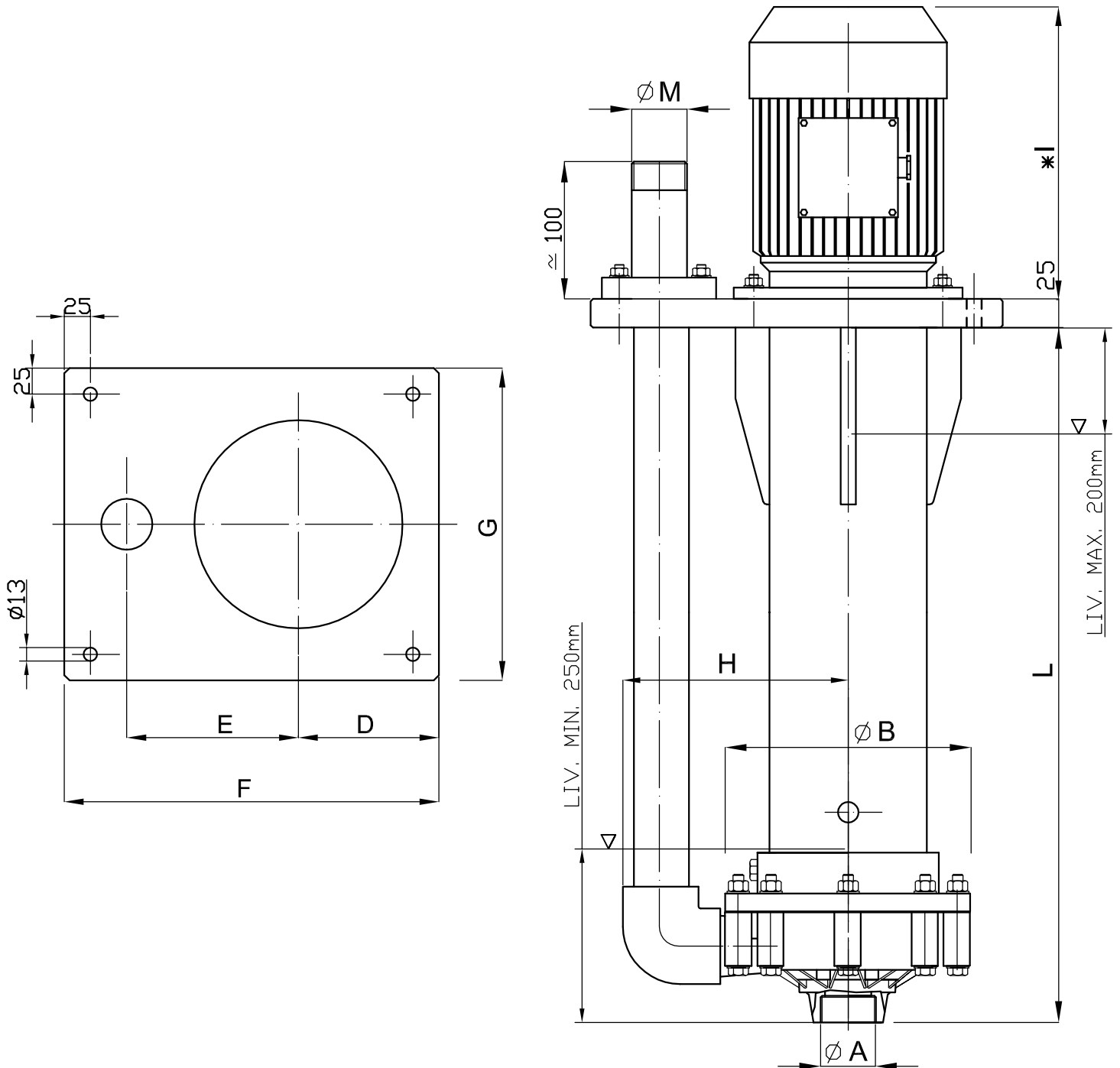
SECTION AND PARTS LIST/SEZIONE E LISTA PARTI



| PDS | DESCR. | MAT. |
|-----|------------------|---------------|
| 1 | Motor | |
| 13 | Washer | AISI304 |
| 14 | Motor-Pump Joint | C40 |
| 17 | Nut | AISI304 |
| 20 | Shaft | C40 |
| 21 | Shaft covering | PP |
| 22 | Key | AISI304 |
| 23 | Washer | AISI304 |
| 24 | Washer | AISI304 |
| 25 | Guide shaft cov. | PP |
| 26 | O-ring | EPDM/VITON |
| 27 | Bushing | PTFEC |
| 30 | Nut | AISI304 |
| 31 | Plate | PP |
| 32 | Screw | AISI304 |
| 33 | Column | PP |
| 34 | Cover | PP+GF/PVDF+CF |
| 35 | Wear bushing | Al203 |
| 37 | O-ring | EPDM/VITON |
| 38 | Impeller | PP/PVDF |
| *40 | Nut | PP+GF/PVDF+CF |
| 41 | O-ring | EPDM/VITON |
| 42 | Pump head | PP+GF/PVDF+CF |
| 43 | Elbow | PP/PVDF |
| 44 | Flow pipe | PP/PVDF |
| 45 | O-ring | EPDM/VITON |
| 46 | Screw | PVDF |
| 47 | Reinforced wing | PP |
| 49 | Flange | PP |
| 50 | Screw | PVC |
| 51 | Screw | AISI304 |
| 52 | O-ring | EPDM/VITON |

* NUT WITH SS INSERT COVERED WITH PP/PVDF

DIMENSIONS/DIMENSIONI D'INGOMBRO



| PUMP TYPE | MOTOR FLANGE B5 | POT. Kw | DIMENSIONS - mm - | | | | | | | | | L |
|-----------|-----------------|---------|-------------------|-------------|----------|-----|-----|-----|-----|-----|----------|--|
| | | | ϕA | ϕM | ϕB | D | E | F | G | H | $\ast I$ | |
| HV 120 | G 90 S | 1.5 | 2" FEMALE | 1"1/2" MALE | 215 | 135 | 165 | 360 | 300 | 196 | 255 | A RICHIESTA DA 500 A 1000mm ON REQUEST FROM 500 TO 1000mm |

* Different according to the manufacturer / Diverso a seconda del fornitore

FEATURES/CARATTERISTICHE

Pump HV/Pompa HV:

Vertical centrifugal monobloc
Verticale centrifuga monoblocco

Materials available/Materiali disponibili:

PP-PVDF

Max flow/Portata massima:

30 m³/h

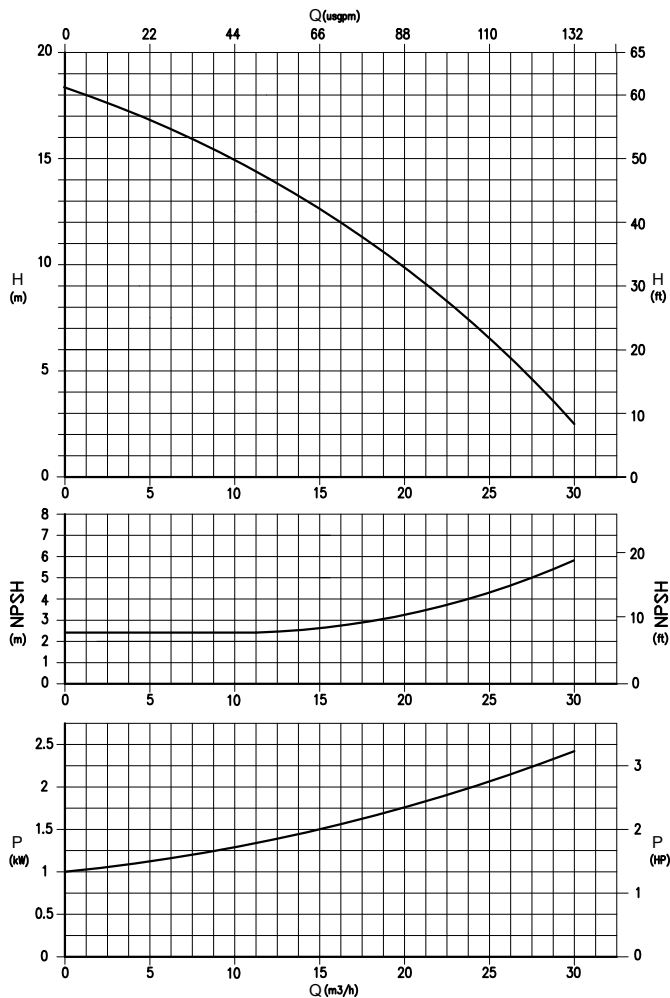
Max head/Prevalenza massima:

18 m

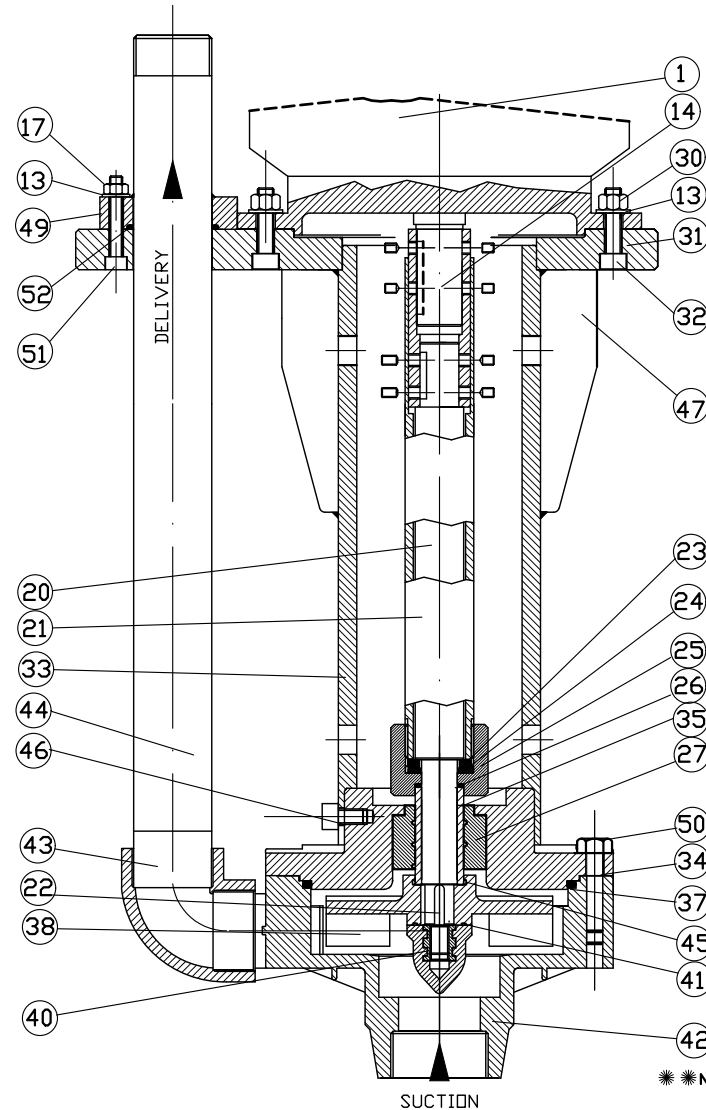
Max temperature/Temperatura massima:

PP 60°C/PVDF 90°C

CURVES/CURVE 50HZ-2900 RPM



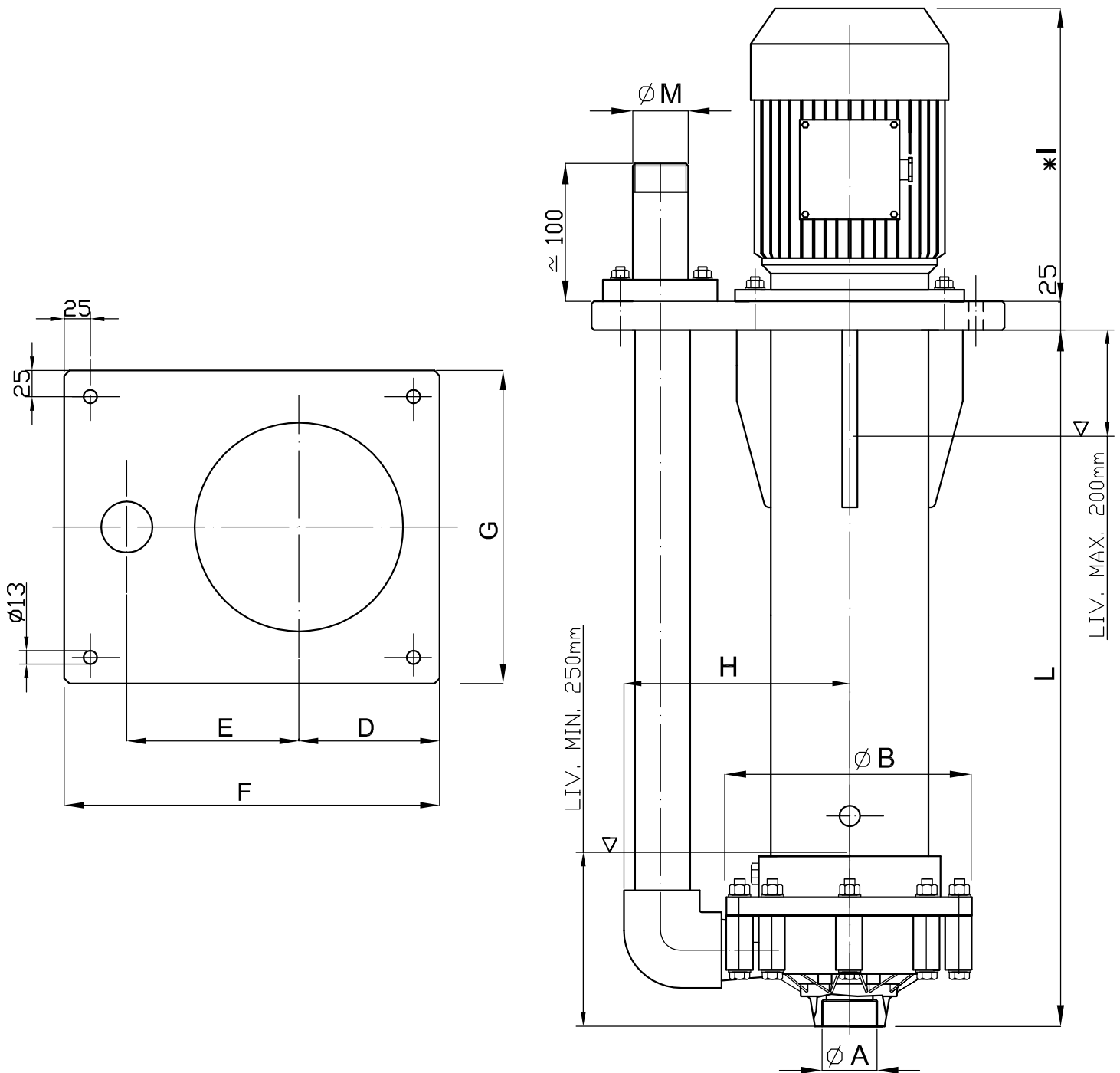
SECTION AND PARTS LIST/SEZIONE E LISTA PARTI



| PDS | DESCR. | MAT. |
|-----|------------------|---------------|
| 1 | Motor | |
| 13 | Washer | AISI304 |
| 14 | Motor-Pump Joint | C40 |
| 17 | Nut | AISI304 |
| 20 | Shaft | C40 |
| 21 | Shaft covering | PP |
| 22 | Key | AISI304 |
| 23 | Washer | AISI304 |
| 24 | Washer | AISI304 |
| 25 | Guide shaft cov. | PP |
| 26 | O-ring | EPDM/VITON |
| 27 | Bushing | PTFEC |
| 30 | Nut | AISI304 |
| 31 | Plate | PP |
| 32 | Screw | AISI304 |
| 33 | Column | PP |
| 34 | Cover | PP+GF/PVDF+CF |
| 35 | Wear bushing | Al203 |
| 37 | O-ring | EPDM/VITON |
| 38 | Impeller | PP/PVDF |
| *40 | Nut | PP+GF/PVDF+CF |
| 41 | O-ring | EPDM/VITON |
| 42 | Pump head | PP+GF/PVDF+CF |
| 43 | Elbow | PP/PVDF |
| 44 | Flow pipe | PP/PVDF |
| 45 | O-ring | EPDM/VITON |
| 46 | Screw | PVDF |
| 47 | Reinforced wing | PP |
| 49 | Flange | PP |
| 50 | Screw | PVC |
| 51 | Screw | AISI304 |
| 52 | O-ring | EPDM/VITON |

* NUT WHITH SS INSERT COVERED WHITH PP/PVDF

DIMENSIONS/DIMENSIONI D'INGOMBRO



| PUMP TYPE | MOTOR FLANGE B5 | POT. Kw | DIMENSIONS - mm - | | | | | | | | | |
|-----------|-----------------|---------|-------------------|-------------|----------|-----|-----|-----|-----|-----|-----|--|
| | | | ϕA | ϕM | ϕB | D | E | F | G | H | *I | L |
| HV 130 | G 90 L | 2.2 | 2" FEMALE | 1"1/2" MALE | 215 | 135 | 165 | 360 | 300 | 196 | 280 | A RICHIESTA DA 500 A 1000mm ON REQUEST FROM 500 TO 1000mm |

* Different according to the manufacturer / Diverso a seconda del fornitore

FEATURES/CARATTERISTICHE

Pump HV/Pompa HV: Vertical centrifugal monobloc
Verticale centrifuga monoblocco

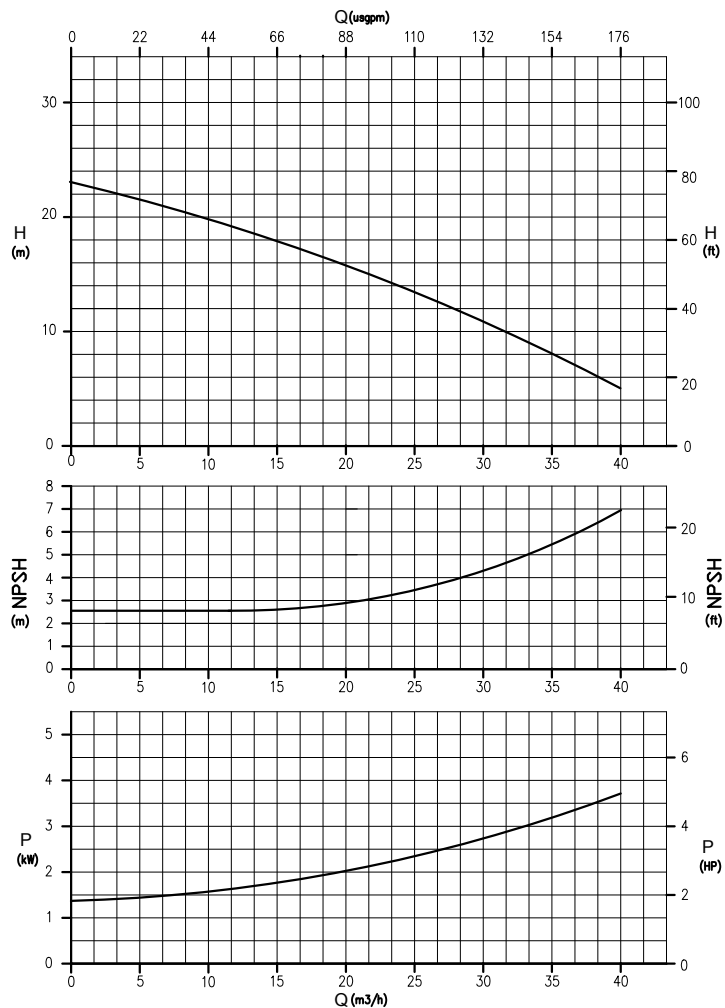
Materials available/Materiali disponibili: PP-PVDF

Max flow/Portata massima: 40 m³/h

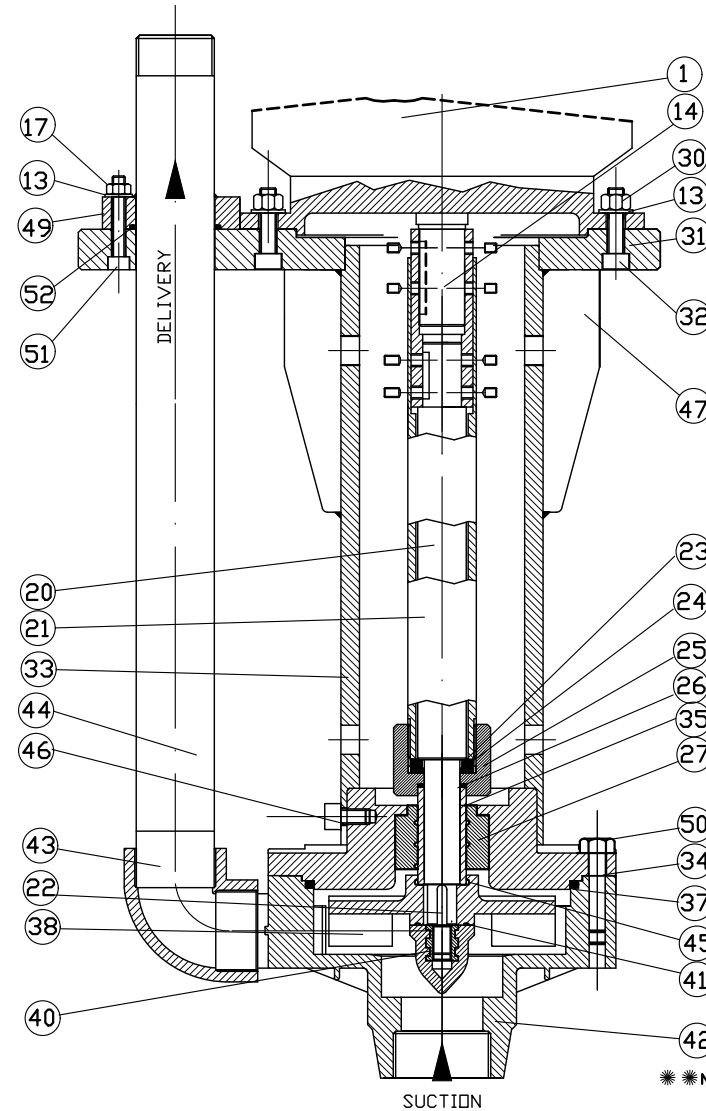
Max head/Prevalenza massima: 22 m

Max temperature/Temperatura massima: PP 60°C/PVDF 90°C

CURVES/CURVE 50HZ-2900 RPM



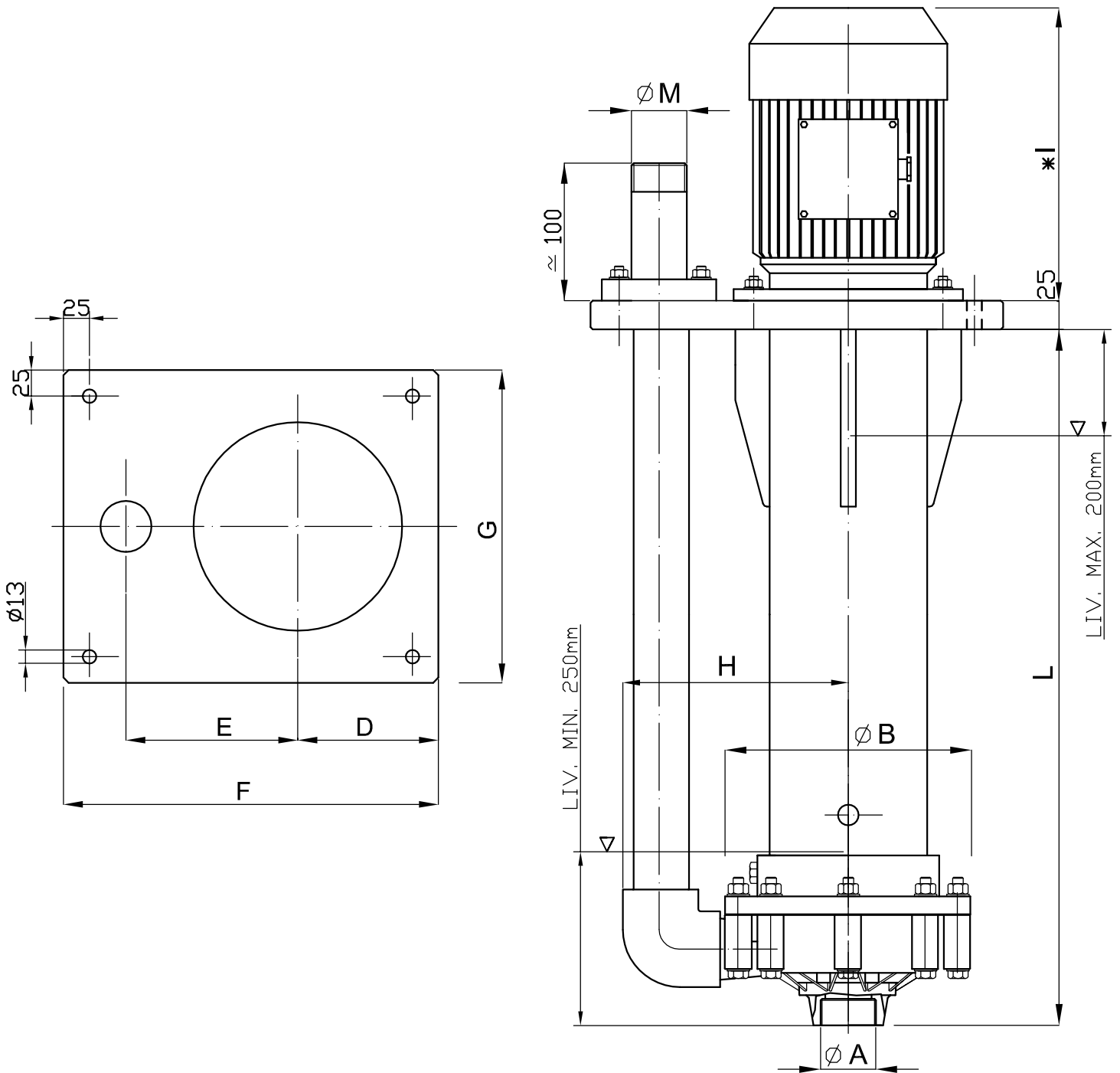
SECTION AND PARTS LIST/SEZIONE E LISTA PARTI



| POS | DESCR. | MAT. |
|-----|------------------|---------------|
| 1 | Motor | |
| 13 | Washer | AISI304 |
| 14 | Motor-Pump Joint | C40 |
| 17 | Nut | AISI304 |
| 20 | Shaft | C40 |
| 21 | Shaft covering | PP |
| 22 | Key | AISI304 |
| 23 | Washer | AISI304 |
| 24 | Washer | AISI304 |
| 25 | Guide shaft cov. | PP |
| 26 | O-ring | EPDM/VITON |
| 27 | Bushing | PTFEC |
| 30 | Nut | AISI304 |
| 31 | Plate | PP |
| 32 | Screw | AISI304 |
| 33 | Column | PP |
| 34 | Cover | PP+GF/PVDF+CF |
| 35 | Wear bushing | Al203 |
| 37 | O-ring | EPDM/VITON |
| 38 | Impeller | PP/PVDF |
| *40 | Nut | PP+GF/PVDF+CF |
| 41 | O-ring | EPDM/VITON |
| 42 | Pump head | PP+GF/PVDF+CF |
| 43 | Elbow | PP/PVDF |
| 44 | Flow pipe | PP/PVDF |
| 45 | O-ring | EPDM/VITON |
| 46 | Screw | PVDF |
| 47 | Reinforced wing | PP |
| 49 | Flange | PP |
| 50 | Screw | PVC |
| 51 | Screw | AISI304 |
| 52 | O-ring | EPDM/VITON |

* NUT WITH SS INSERT COVERED WITH PP/PVDF

DIMENSIONS/DIMENSIONI D'INGOMBRO



| PUMP TYPE | MOTOR FLANGE B5 | POT. Kw | DIMENSIONS - mm - | | | | | | | | | L |
|-----------|-----------------|---------|-------------------|-------------|-----|-----|-----|-----|-----|-----|-----|--|
| | | | Ø A | Ø M | Ø B | D | E | F | G | H | * I | |
| HV 140 | G 100 L | 3 | 2" FEMALE | 1"1/2" MALE | 215 | 135 | 165 | 360 | 300 | 196 | 315 | A RICHIESTA DA 500 A 1000mm ON REQUEST FROM 500 TO 1000mm |

* Different according to the manufacturer / Diverso a seconda del fornitore