

FEATURES/CARATTERISTICHE

Pump HVL/Pompa HVL: Vertical centrifugal with coupling
Verticale centrifuga con lanterna

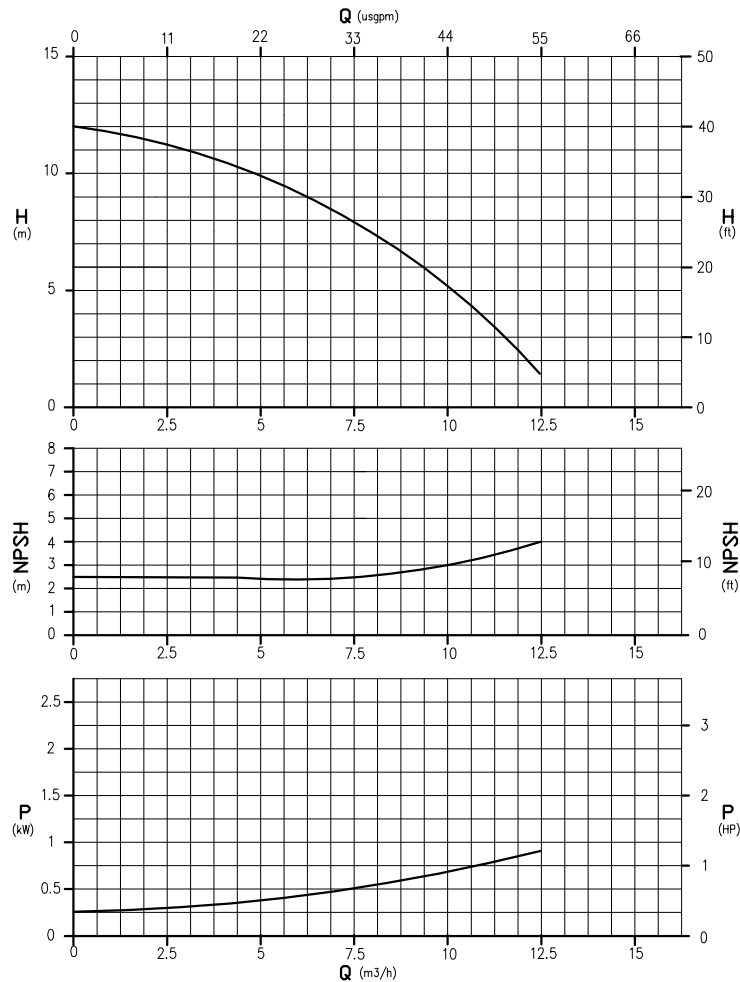
Materials available/Materiali disponibili: PP-PVDF

Max flow/Portata massima: 12 m³/h

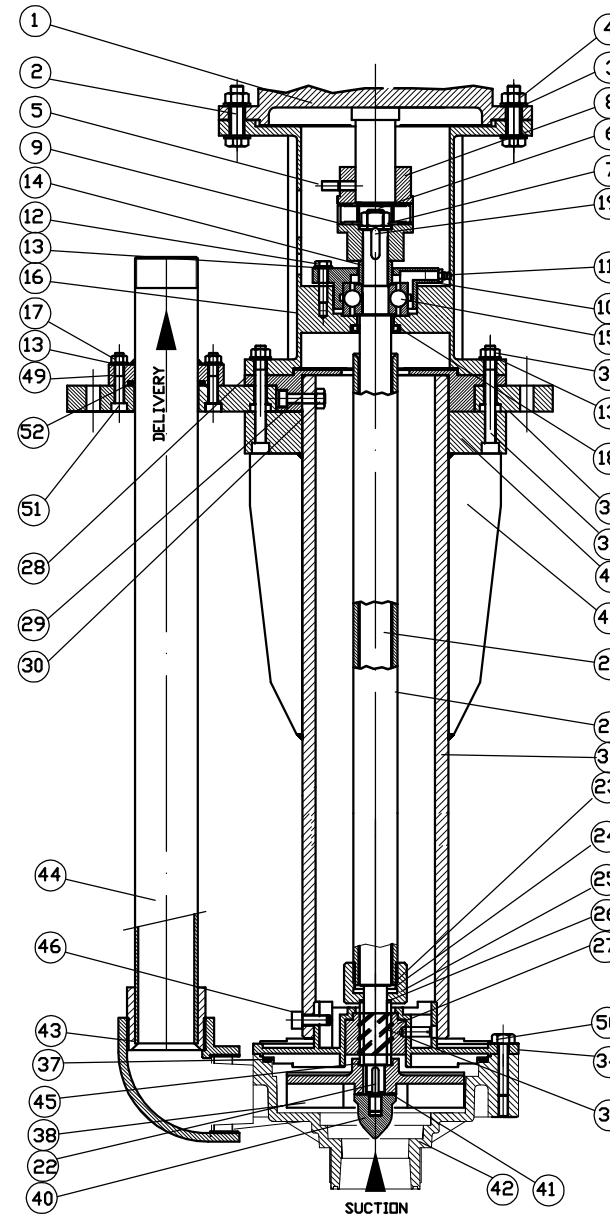
Max head/Prevalenza massima: 12 m

Max temperature/Temperatura massima: PP 60°C/PVDF 90°C

CURVES/CURVE 50HZ-2900 RPM



SECTION AND PARTS LIST/SEZIONE E LISTA PARTI

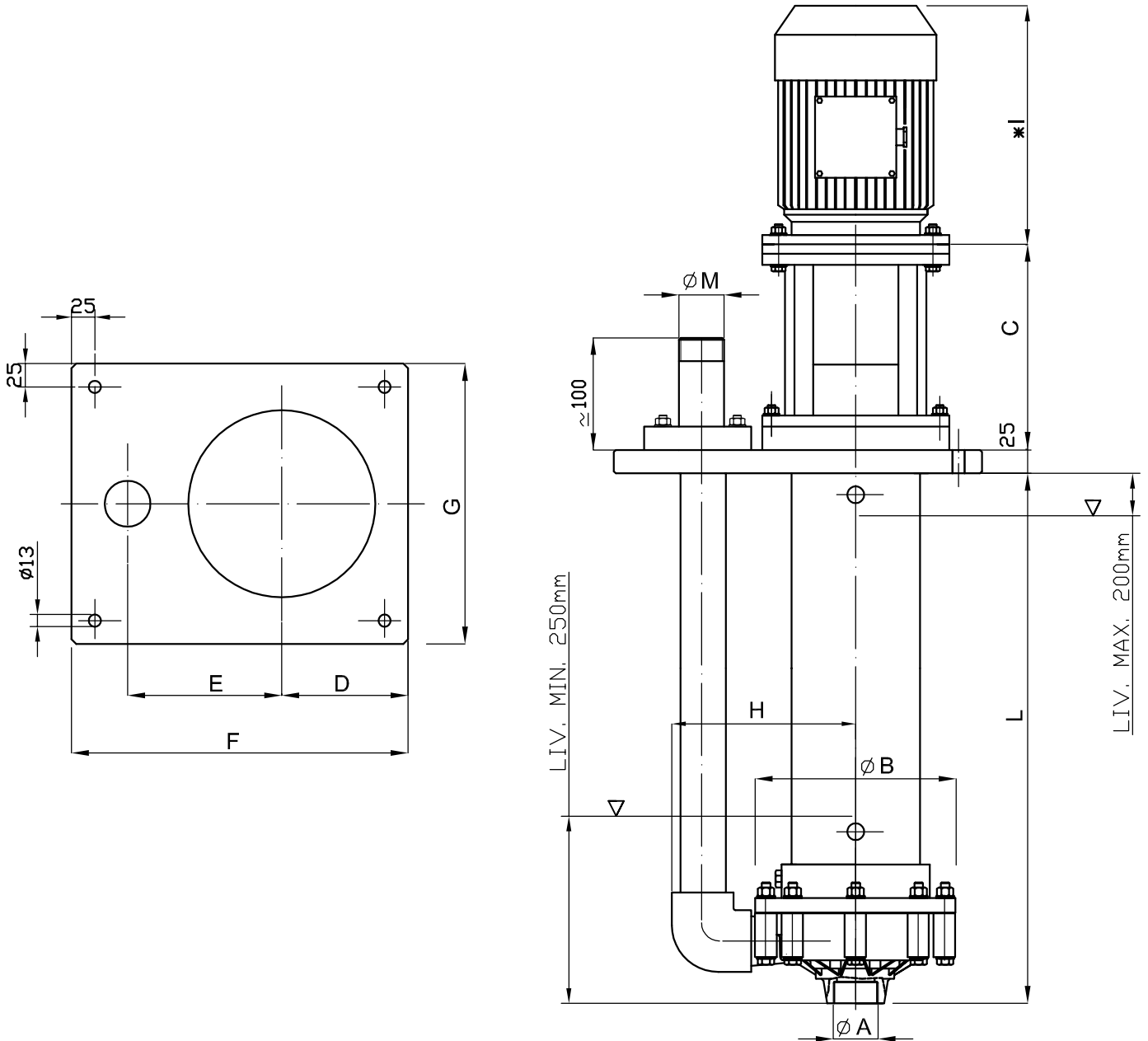


POS.	DESCR.	MAT.
1	Motor	
2	Screw	AISI304
3	Washer	AISI304
4	Nut	AISI304
5	Screw	AISI304
6	Nut	AISI304
7	Washer	AISI304
8	Motor joint	CAST IRON
9	Pump joint	CAST IRON
10	Cover	ALL.
11	Lubrif. nipple	BRASS
12	Screw	AISI304
13	Washer	AISI304
14	Spacer	C40
15	Bearing	
16	Bracket	ALL.
17	Nut	AISI304
18	Seal ring	EDPM/VITON
19	Key	AISI304
20	Shaft	C40
21	Shaft covering	PP
22	Key	AISI304
23	Washer	AISI304
24	Washer	AISI304
25	Guide shaft cov.	PP
26	O-ring	EDPM/VITON
27	Bushing	PTFEC
28	Upper support	PP
29	Screw	AISI304
30	Nut	AISI304
31	Plate	PP
32	Screw	AISI304
33	Column	PP
34	Cover	PP+GF/PVDF+CF
35	Wear bushing	Al203
37	O-ring	EDPM/VITON
38	Impeller	PP/PVDF
*40	Nut	PP+GF/PVDF+CF
41	O-ring	EDPM/VITON
42	Pump head	PP+GF/PVDF+CF
43	Elbow	PP/PVDF
44	Flow pipe	PP/PVDF
45	O-ring	EDPM/VITON
46	Screw	PVDF
*47	Reinforced wing	PP
*48	Flange	PP
49	Flange	PP
50	Screw	PVC
51	Screw	AISI304
52	O-ring	EDPM/VITON

*FOR PUMPS DEPTH OVER 1250mm

*NUT WITH SS INSERT COVERED WITH PP/PVDF

DIMENSIONS/DIMENSIONI D'INGOMBRO



PUMP TYPE	MOTOR FLANGE B5	POT. Kw	DIMENSIONS - mm -										
			Ø A	Ø M	Ø B	C	D	E	F	G	H	*I	L
HVL 95	G 80 2A	0.75	2" FEMALE	1"1/2" MALE	215	210	135	165	360	300	196	215	A RICHIESTA DA 500 A 2000mm ON REQUEST FROM 500 TO 2000mm

* Different according to the manufacturer / Diverso a seconda del fornitore

FEATURES/CARATTERISTICHE

Pump HVL/Pompa HVL: Vertical centrifugal with coupling
Verticale centrifuga con lanterna

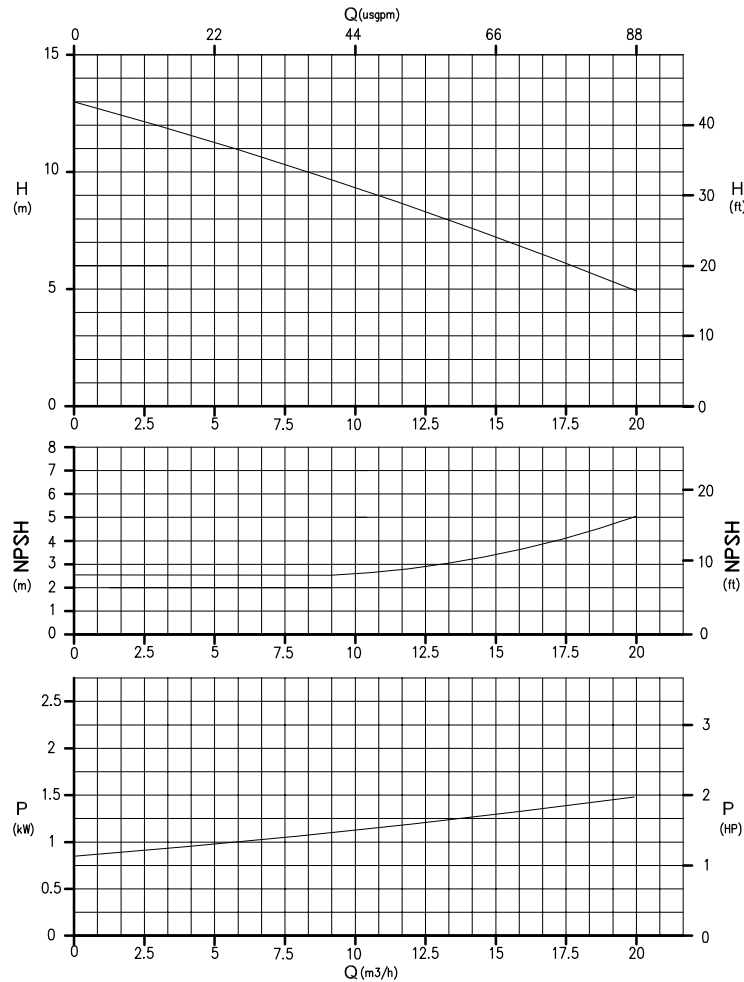
Materials available/Materiali disponibili: PP-PVDF

Max flow/Portata massima: 20 m³/h

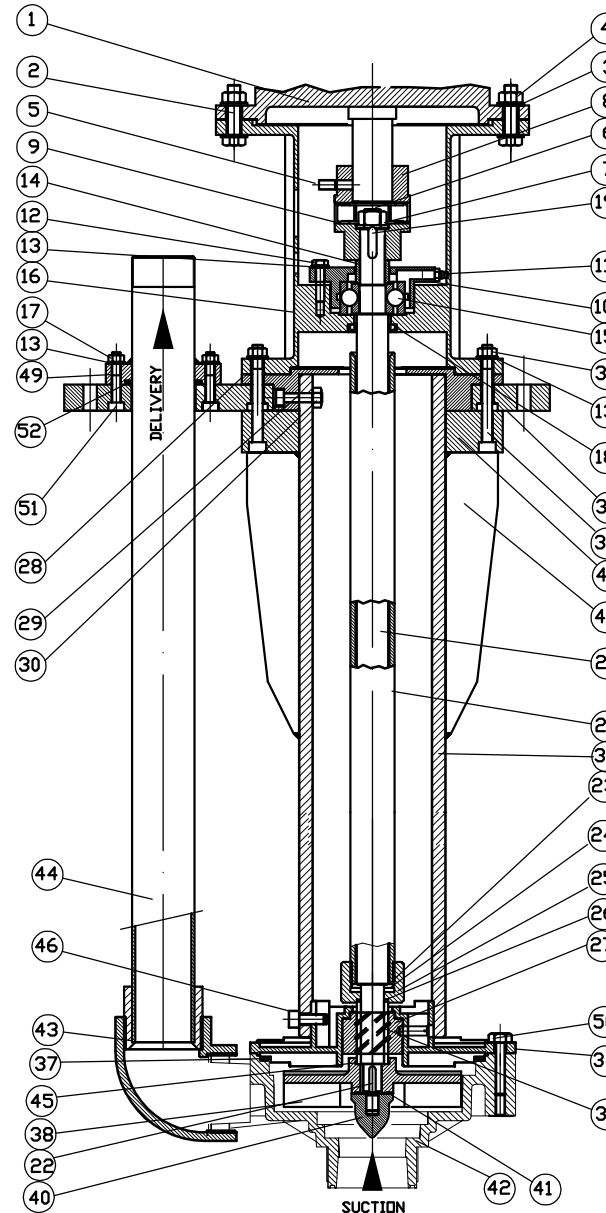
Max head/Prevalenza massima: 13 m

Max temperature/Temperatura massima: PP 60°C/PVDF 90°C

CURVES/CURVE 50HZ-2900 RPM



SECTION AND PARTS LIST/SEZIONE E LISTA PARTI



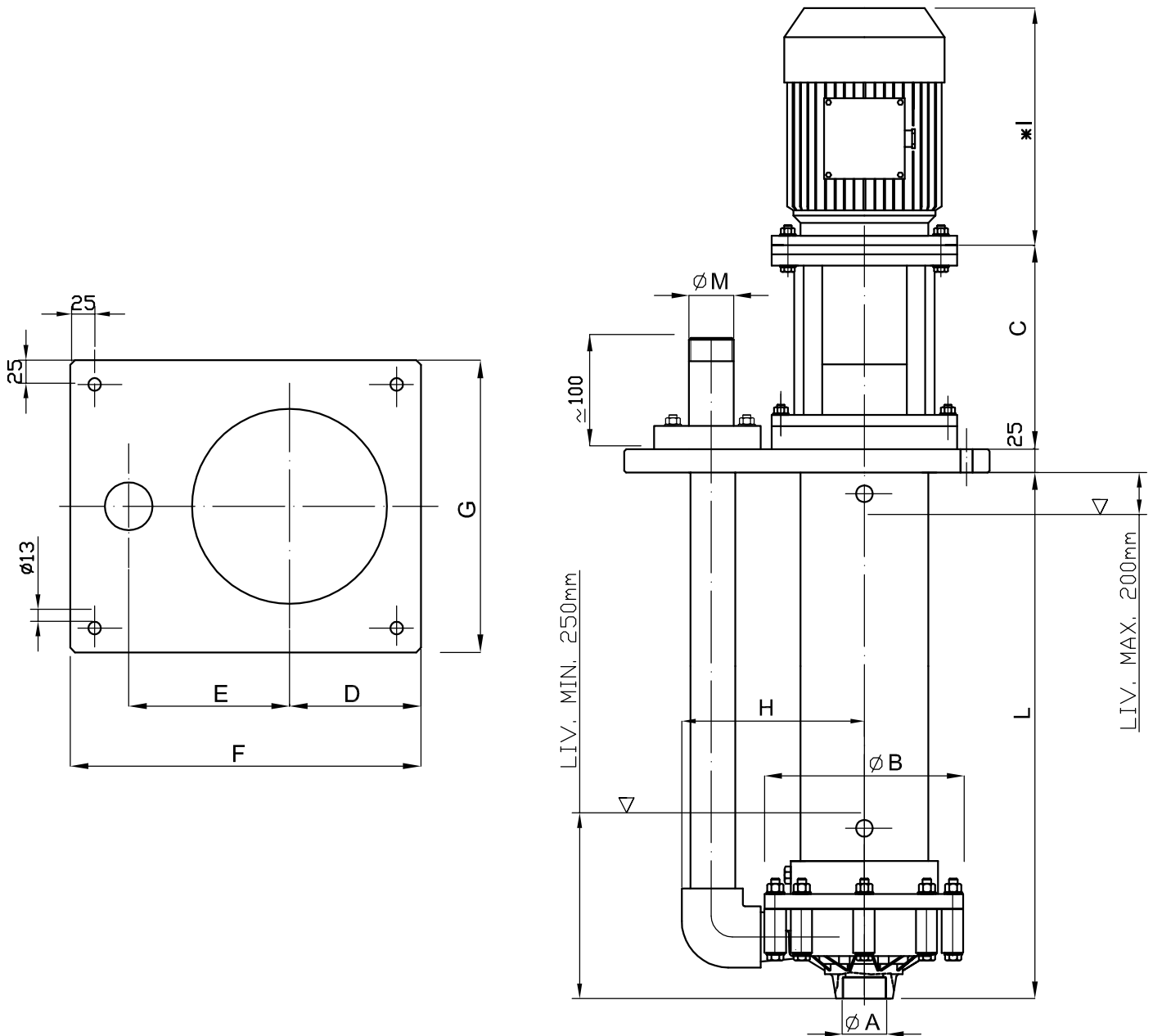
POS	DESCR.	MAT.
1	Motor	
2	Screw	AISI304
3	Washer	AISI304
4	Nut	AISI304
5	Screw	AISI304
6	Nut	AISI304
7	Washer	AISI304
8	Motor joint	CAST IRON
9	Pump joint	CAST IRON
10	Cover	ALL.
11	Lubrif. nipple	BRASS
12	Screw	AISI304
13	Washer	AISI304
14	Spacer	C40
15	Bearing	
16	Bracket	ALL.
17	Nut	AISI304
18	Seal ring	EDPM/VITON
19	Key	AISI304
20	Shaft	C40
21	Shaft covering	PP
22	Key	AISI304
23	Washer	AISI304
24	Washer	AISI304
25	Guide shaft cov.	PP
26	O-ring	EDPM/VITON
27	Bushing	PTFEC
28	Upper support	PP
29	Screw	AISI304
30	Nut	AISI304
31	Plate	PP
32	Screw	AISI304
33	Column	PP
34	Cover	PP+GF/PVDF+CF
35	Wear bushing	Al203
37	O-ring	EDPM/VITON
38	Impeller	PP/PVDF
*40	Nut	PP+GF/PVDF+CF
41	O-ring	EDPM/VITON
42	Pump head	PP+GF/PVDF+CF
43	Elbow	PP/PVDF
44	Flow pipe	PP/PVDF
45	O-ring	EDPM/VITON
46	Screw	PVDF
*47	Reinforced wing	PP
*48	Flange	PP
49	Flange	PP
50	Screw	PVC
51	Screw	AISI304
52	O-ring	EDPM/VITON

* FOR PUMPS DEPTH OVER 1250mm

** NUT WITH SS INSERT COVERED WITH PP/PVDF

All data stated are an indication and are liable to change without notice / Tutti i dati sono indicativi e possono variare senza preavviso

DIMENSIONS/DIMENSIONI D'INGOMBRO



PUMP TYPE	MOTOR FLANGE B5	POT. Kw	DIMENSIONS - mm -										
			ø A	ø M	ø B	C	D	E	F	G	H	*I	L
HVL 110	G 80 2B	1.1	2" FEMALE	1"1/2" MALE	215	210	135	165	360	300	196	230	A RICHIESTA DA 500 A 2000mm ON REQUEST FROM 500 TO 2000mm

* Different according to the manufacturer / Diverso a seconda del fornitore

FEATURES/CARATTERISTICHE

Pump HVL/Pompa HVL: Vertical centrifugal with coupling
Verticale centrifuga con lanterna

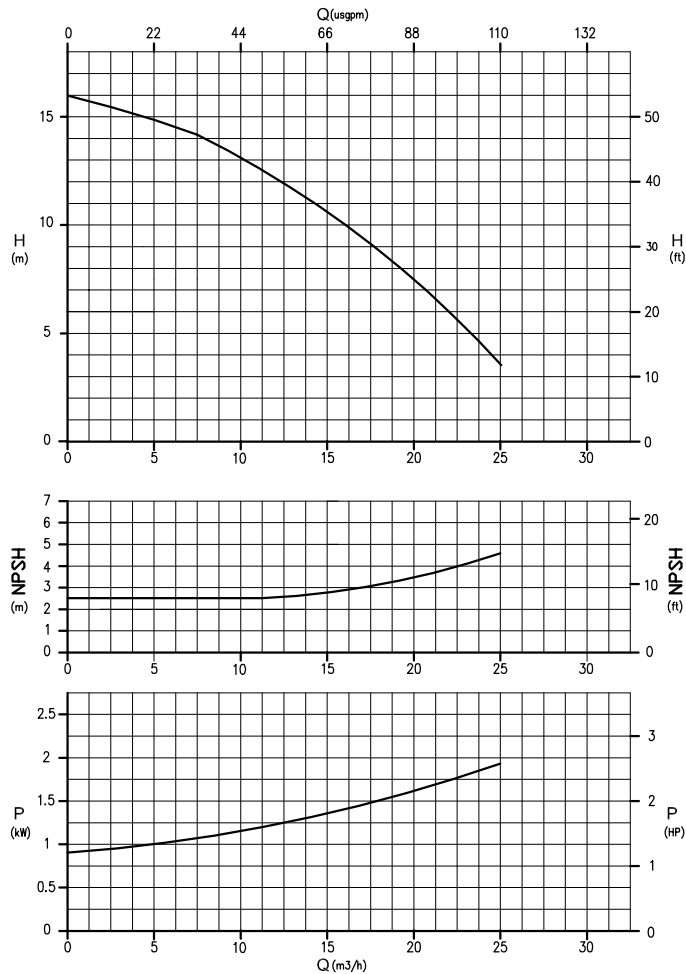
Materials available/Materiali disponibili: PP-PVDF

Max flow/Portata massima: 25 m³/h

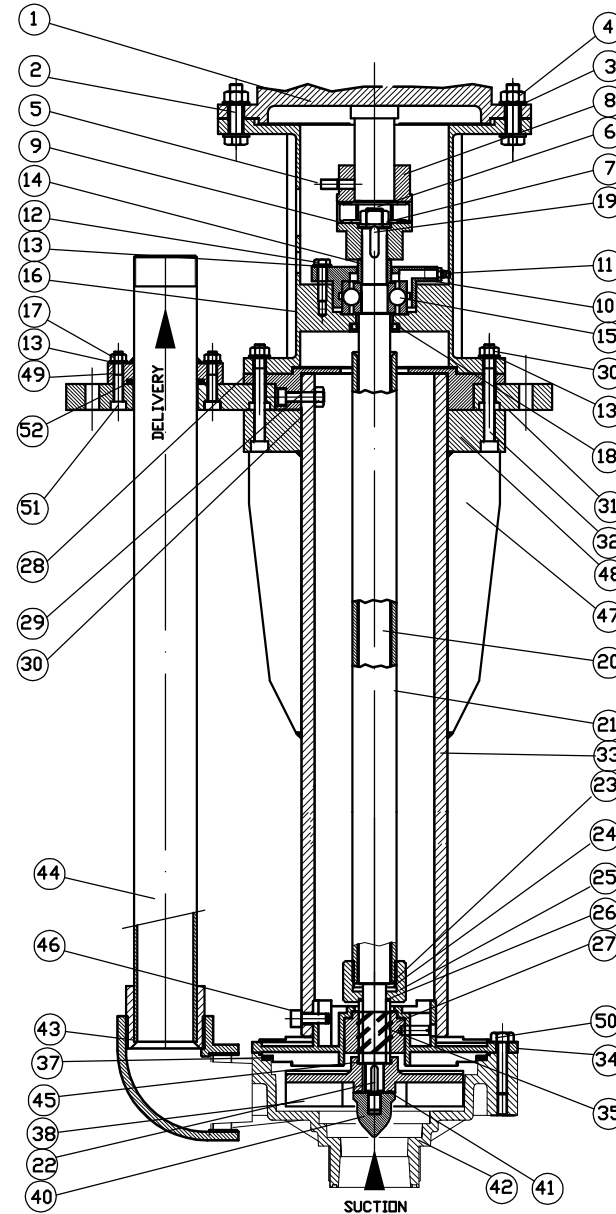
Max head/Prevalenza massima: 16 m

Max temperature/Temperatura massima: PP 60°C/PVDF 90°C

CURVES/CURVE 50HZ-2900 RPM



SECTION AND PARTS LIST/SEZIONE E LISTA PARTI

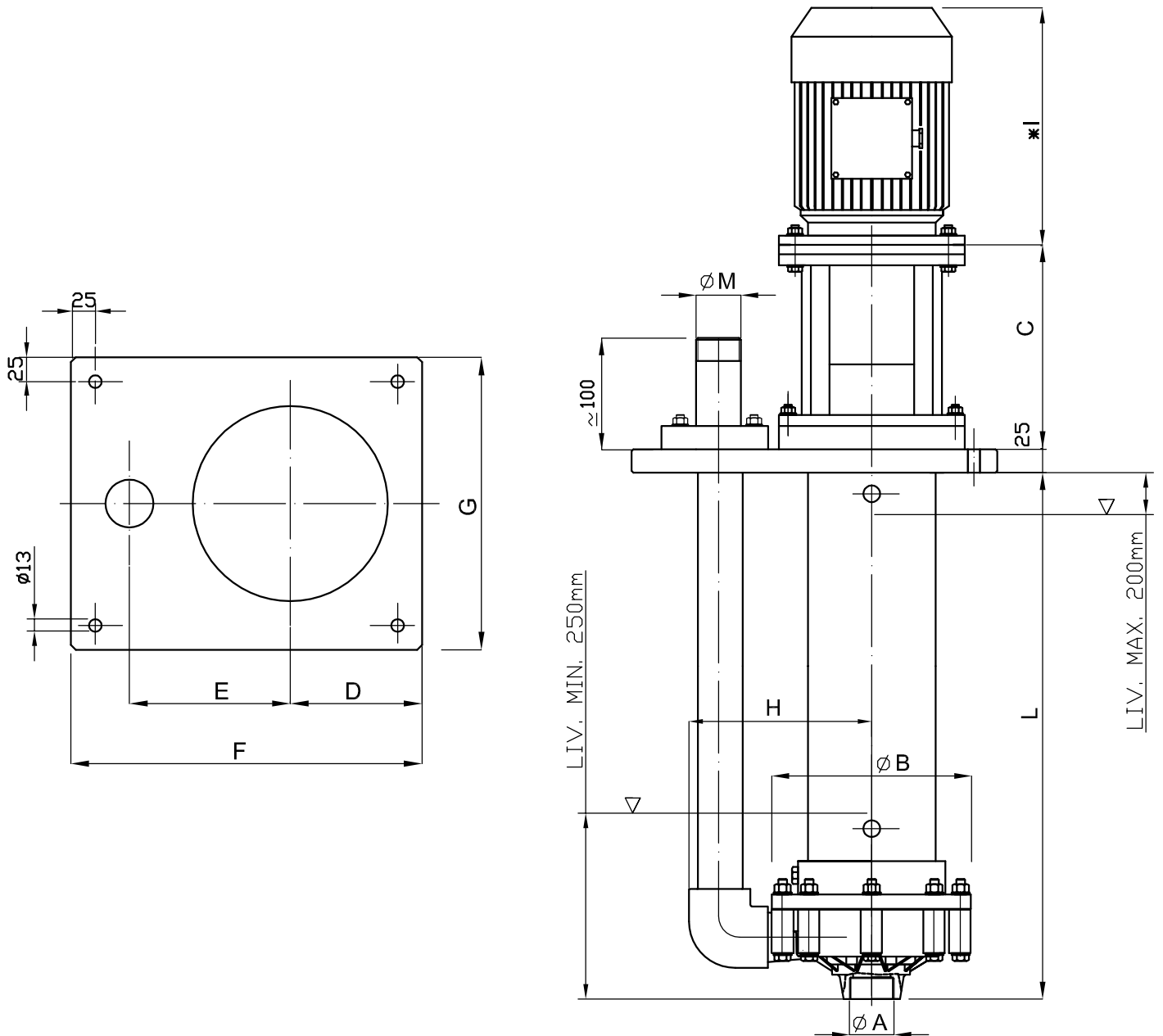


POS	DESCR.	MAT.
1	Motor	
2	Screw	AISI304
3	Washer	AISI304
4	Nut	AISI304
5	Screw	AISI304
6	Nut	AISI304
7	Washer	AISI304
8	Motor joint	CAST IRON
9	Pump joint	CAST IRON
10	Cover	ALL.
11	Lubrif. nipple	BRASS
12	Screw	AISI304
13	Washer	AISI304
14	Spacer	C40
15	Bearing	
16	Bracket	ALL.
17	Nut	AISI304
18	Seal ring	EDPM/VITON
19	Key	AISI304
20	Shaft	C40
21	Shaft covering	PP
22	Key	AISI304
23	Washer	AISI304
24	Washer	AISI304
25	Guide shaft cov.	PP
26	O-ring	EDPM/VITON
27	Bushing	PTFEC
28	Upper support	PP
29	Screw	AISI304
30	Nut	AISI304
31	Plate	PP
32	Screw	AISI304
33	Column	PP
34	Cover	PP+GF/PVDF+CF
35	Wear bushing	Al203
37	O-ring	EDPM/VITON
38	Impeller	PP/PVDF
* 40	Nut	PP+GF/PVDF+CF
41	O-ring	EDPM/VITON
42	Pump head	PP+GF/PVDF+CF
44	Flow pipe	PP/PVDF
45	O-ring	EDPM/VITON
46	Screw	PVDF
* 47	Reinforced wing	PP
* 48	Flange	PP
49	Flange	PP
50	Screw	PVC
51	Screw	AISI304
52	O-ring	EDPM/VITON

* FOR PUMPS DEPTH OVER 1250mm

** NUT WHITH SS INSERT COVERED WHITH PP/PVDF

DIMENSIONS/DIMENSIONI D'INGOMBRO



PUMP TYPE	MOTOR FLANGE B5	POT. Kw	DIMENSIONS - mm -										
			Ø A	Ø M	Ø B	C	D	E	F	G	H	* I	L
HVL 120	G 90 S	1.5	2" FEMALE	1 1/2" MALE	215	220	135	165	360	300	196	255	A RICHIESTA DA 500 A 2000mm ON REQUEST FROM 500 TO 2000mm

* Different according to the manufacturer / Diverso a seconda del fornitore

FEATURES/CARATTERISTICHE

Pump HVL/Pompa HVL: Vertical centrifugal with coupling
Verticale centrifuga con lanterna

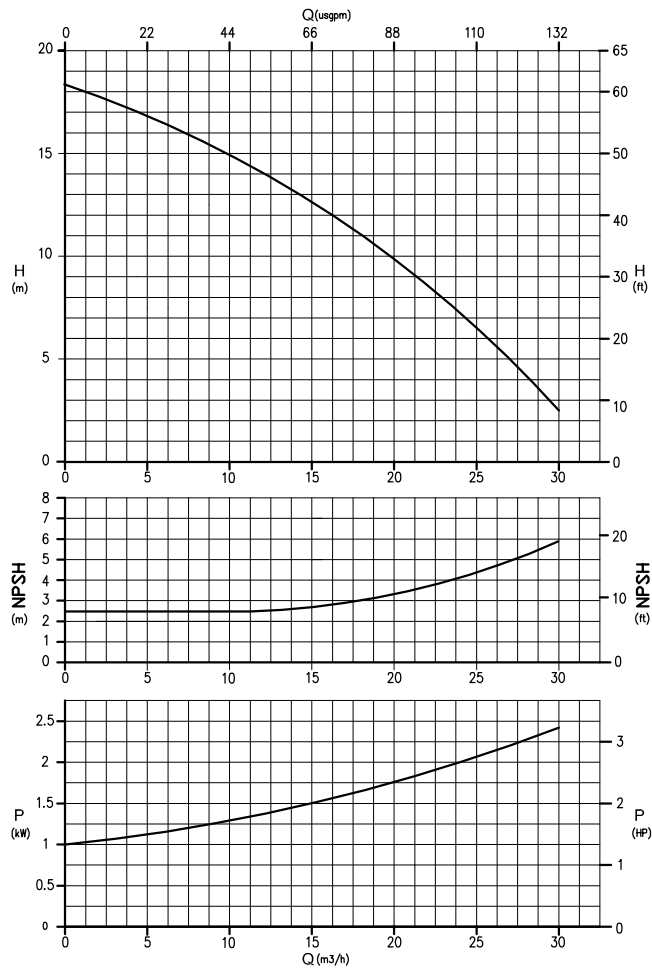
Materials available/Materiali disponibili: PP-PVDF

Max flow/Portata massima: 30 m³/h

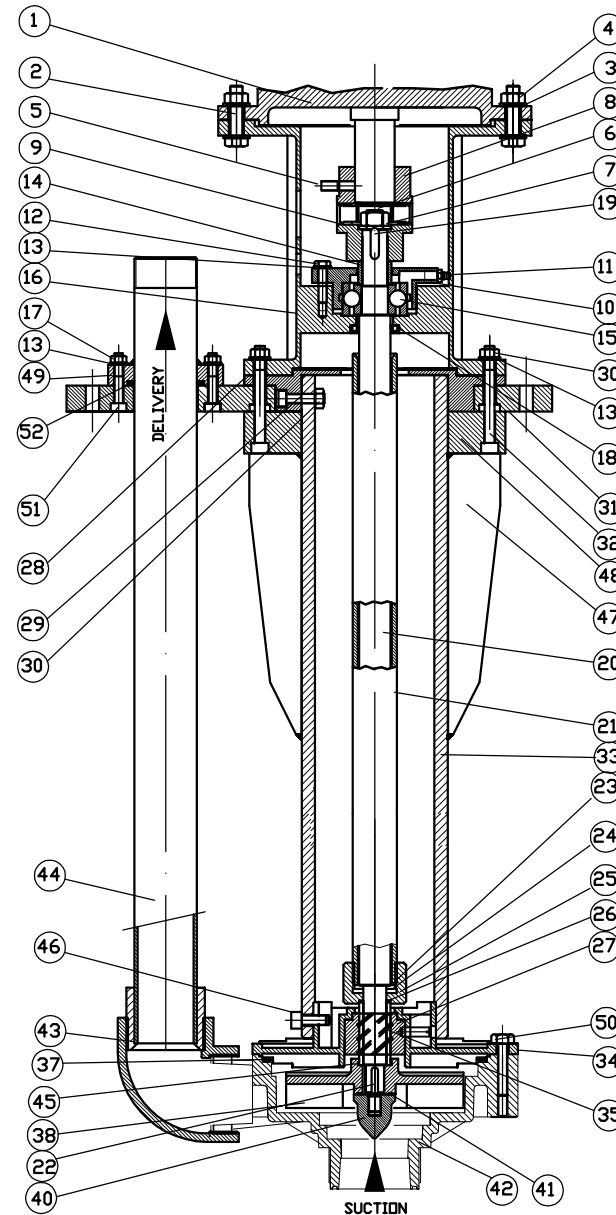
Max head/Prevalenza massima: 18 m

Max temperature/Temperatura massima: PP 60°C/PVDF 90°C

CURVES/CURVE 50HZ-2900 RPM



SECTION AND PARTS LIST/SEZIONE E LISTA PARTI

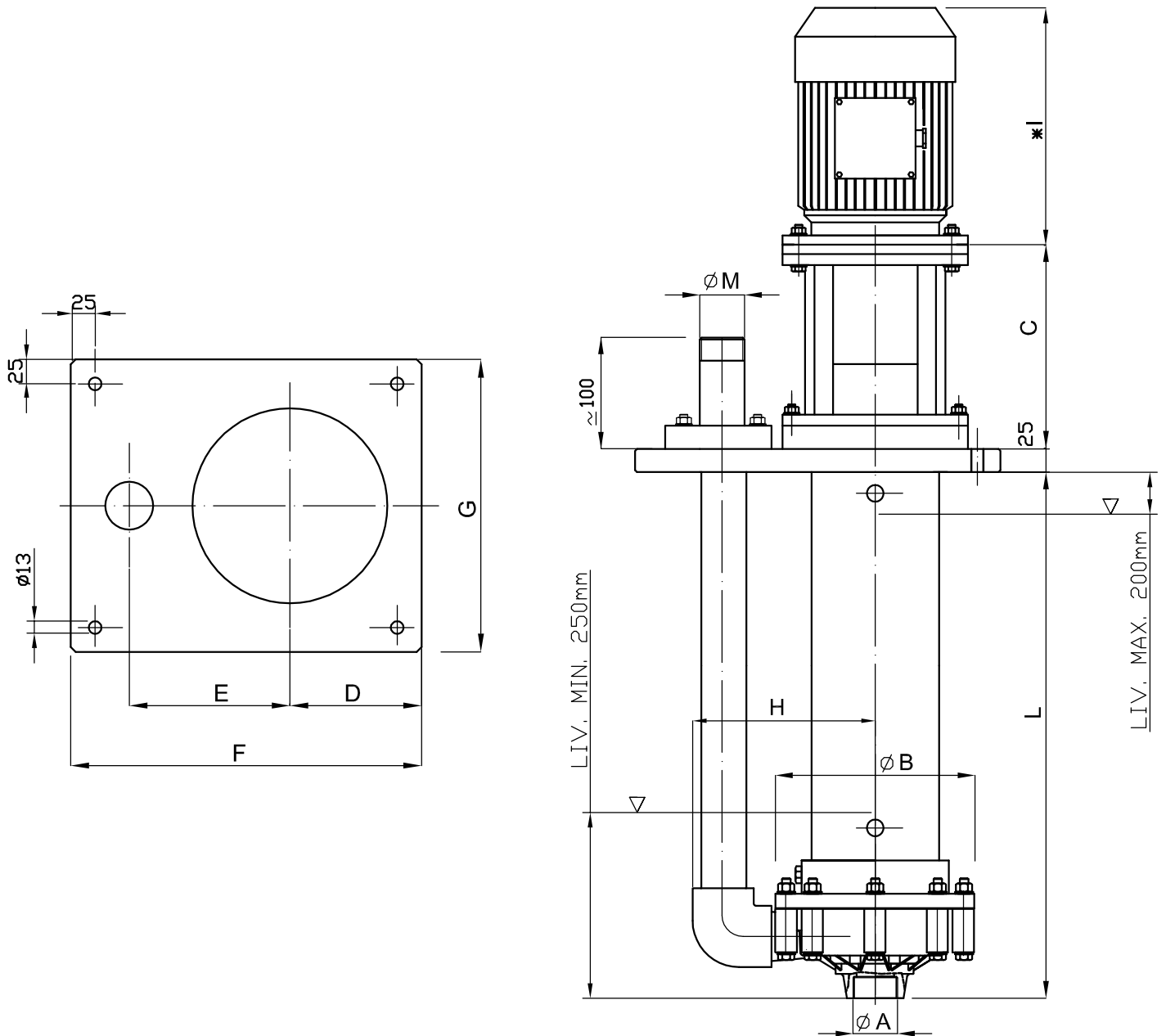


POS	DESCR.	MAT.
1	Motor	
2	Screw	AISI304
3	Washer	AISI304
4	Nut	AISI304
5	Screw	AISI304
6	Nut	AISI304
7	Washer	AISI304
8	Motor Joint	CAST IRON
9	Pump Joint	CAST IRON
10	Cover	ALL.
11	Lubrif. nipple	BRASS
12	Screw	AISI304
13	Washer	AISI304
14	Spacer	C40
15	Bearing	
16	Bracket	ALL.
17	Nut	AISI304
18	Seal ring	EDPM/VITON
19	Key	AISI304
20	Shaft	C40
21	Shaft covering	PP
22	Key	AISI304
23	Washer	AISI304
24	Washer	AISI304
25	Guide shaft cov.	PP
26	O-ring	EDPM/VITON
27	Bushing	PTFEC
28	Upper support	PP
29	Screw	AISI304
30	Nut	AISI304
31	Plate	PP
32	Screw	AISI304
33	Column	PP
34	Cover	PP+GF/PVDF+CF
35	Wear bushing	AI203
37	O-ring	EDPM/VITON
38	Impeller	PP/PVDF
*40	Nut	PP+GF/PVDF+CF
41	O-ring	EDPM/VITON
42	Pump head	PP+GF/PVDF+CF
43	Elbow	PP/PVDF
44	Flow pipe	PP/PVDF
45	O-ring	EDPM/VITON
46	Screw	PVDF
*47	Reinforced wing	PP
*48	Flange	PP
49	Flange	PP
50	Screw	PVC
51	Screw	AISI304
52	O-ring	EDPM/VITON

*FOR PUMPS DEPTH OVER 1250mm

**NUT WITH SS INSERT COVERED WITH PP/PVDF

DIMENSIONS/DIMENSIONI D'INGOMBRO



PUMP TYPE	MOTOR FLANGE B5	POT. Kw	DIMENSIONS - mm -										
			Ø A	Ø M	Ø B	C	D	E	F	G	H	*I	L
HVL 130	G 90 L	2.2	2" FEMALE	1"1/2" MALE	215	220	135	165	360	300	196	280	A RICHIESTA DA 500 A 2000mm ON REQUEST FROM 500 TO 2000mm

* Different according to the manufacturer / Diverso a seconda del fornitore

FEATURES/CARATTERISTICHE

Pump HVL/Pompa HVL: Vertical centrifugal with coupling
Verticale centrifuga con lanterna

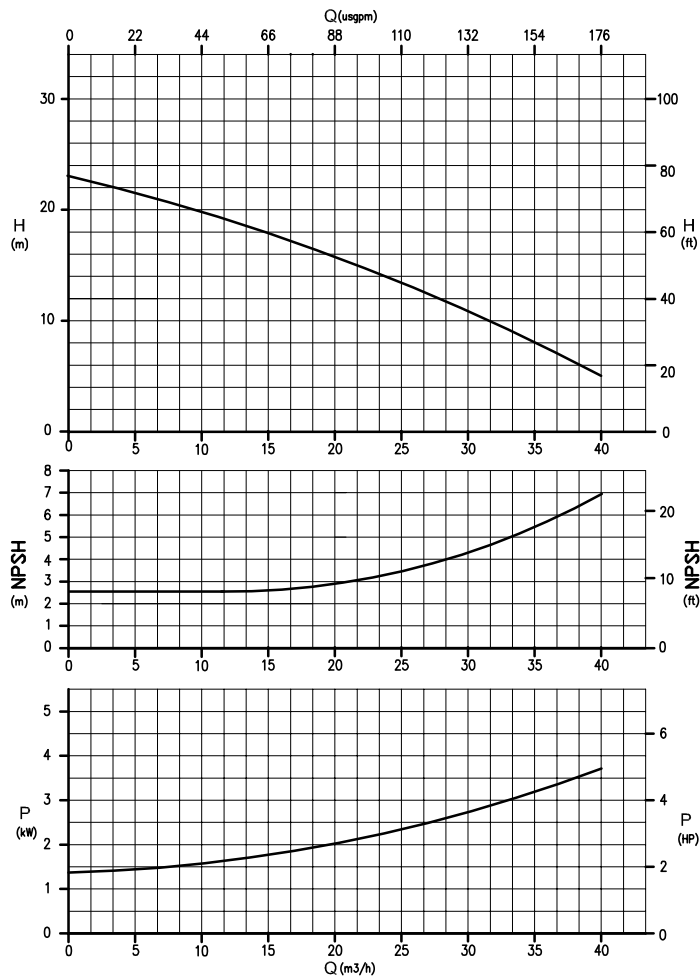
Materials available/Materiali disponibili: PP-PVDF

Max flow/Portata massima: 40 m³/h

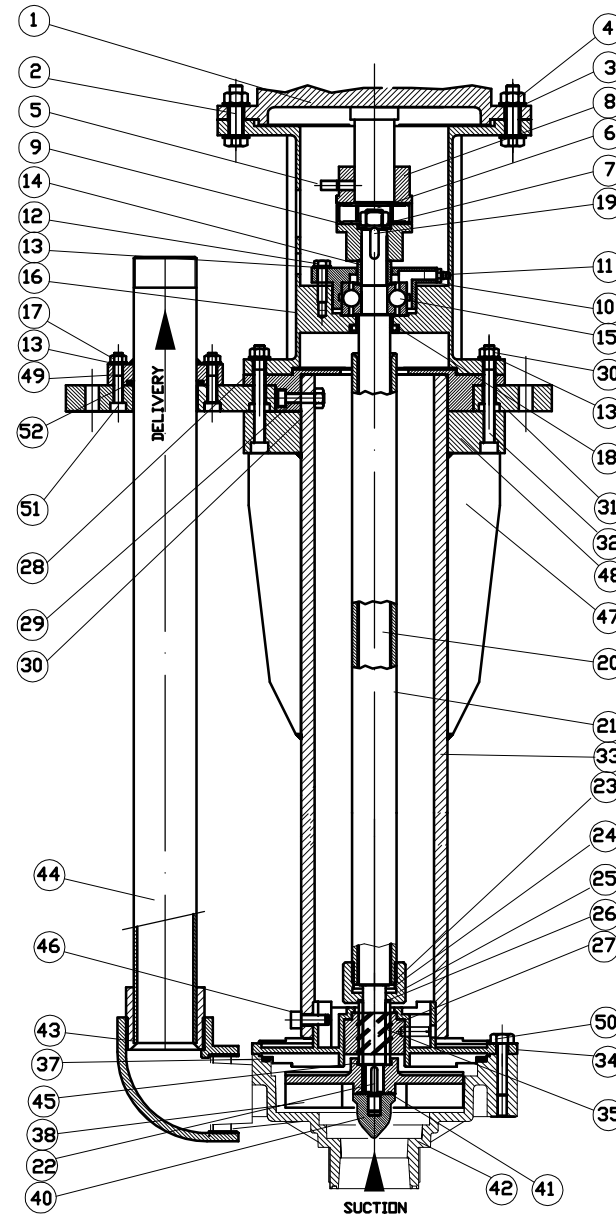
Max head/Prevalenza massima: 22m

Max temperature/Temperatura massima: PP 60°C/PVDF 90°C

CURVES/CURVE 50HZ-2900 RPM



SECTION AND PARTS LIST/SEZIONE E LISTA PARTI



POS	DESCR.	MAT.
1	Motor	
2	Screw	AISI304
3	Washer	AISI304
4	Nut	AISI304
5	Screw	AISI304
6	Nut	AISI304
7	Washer	AISI304
8	Motor joint	CAST IRON
9	Pump joint	CAST IRON
10	Cover	ALL.
11	Lubrif. nipple	BRASS
12	Screw	AISI304
13	Washer	AISI304
14	Spacer	C40
15	Bearing	
16	Bracket	ALL.
17	Nut	AISI304
18	Seal ring	EDPM/VITON
19	Key	AISI304
20	Shaft	C40
21	Shaft covering	PP
22	Key	AISI304
23	Washer	AISI304
24	Washer	AISI304
25	Guide shaft cov.	PP
26	O-ring	EDPM/VITON
27	Bushing	PTFEC
28	Upper support	PP
29	Screw	AISI304
30	Nut	AISI304
31	Plate	PP
32	Screw	AISI304
33	Column	PP
34	Cover	PP+GF/PVDF+CF
35	Wear bushing	AI203
37	O-ring	EDPM/VITON
38	Impeller	PP/PVDF
*40	Nut	PP+GF/PVDF+CF
41	O-ring	EDPM/VITON
42	Pump head	PP+GF/PVDF+CF
43	Elbow	PP/PVDF
44	Flow pipe	PP/PVDF
45	O-ring	EDPM/VITON
46	Screw	PVDF
*47	Reinforced wing	PP
*48	Flange	PP
49	Flange	PP
50	Screw	PVC
51	Screw	AISI304
52	O-ring	EDPM/VITON

* FOR PUMPS DEPTH OVER 1250mm

* NUT WITH SS INSERT COVERED WITH PP/PVDF

FEATURES/CARATTERISTICHE

Pump HVL/Pompa HVL: Vertical centrifugal with coupling
Verticale centrifuga con lanterna

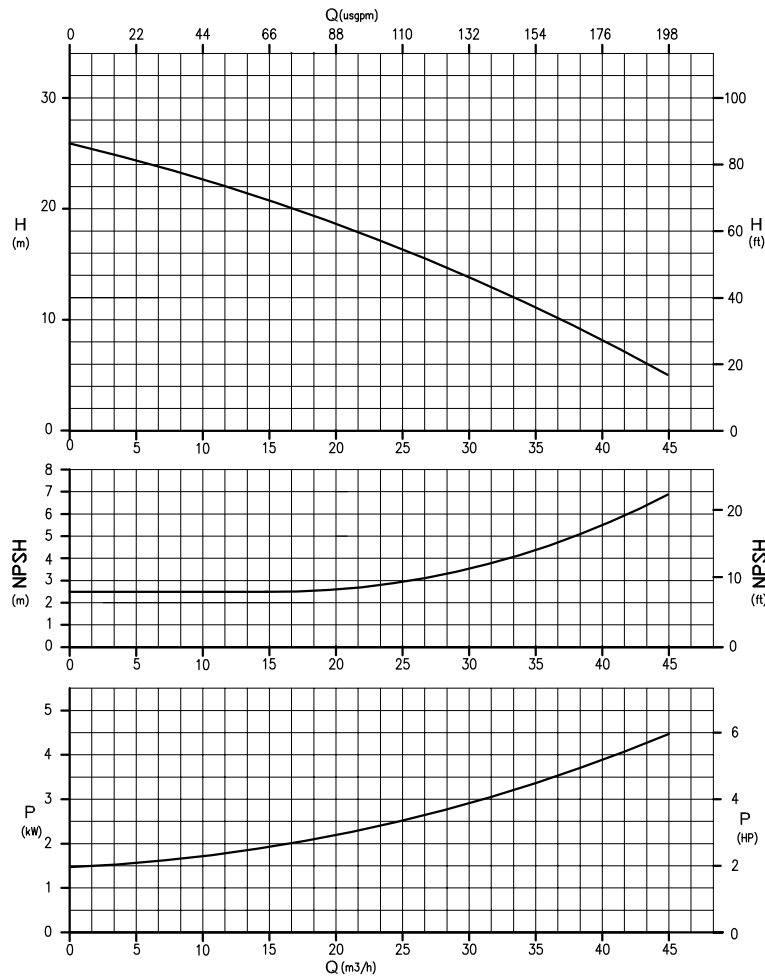
Materials available/Materiali disponibili: PP-PVDF

Max flow/Portata massima: 45 m³/h

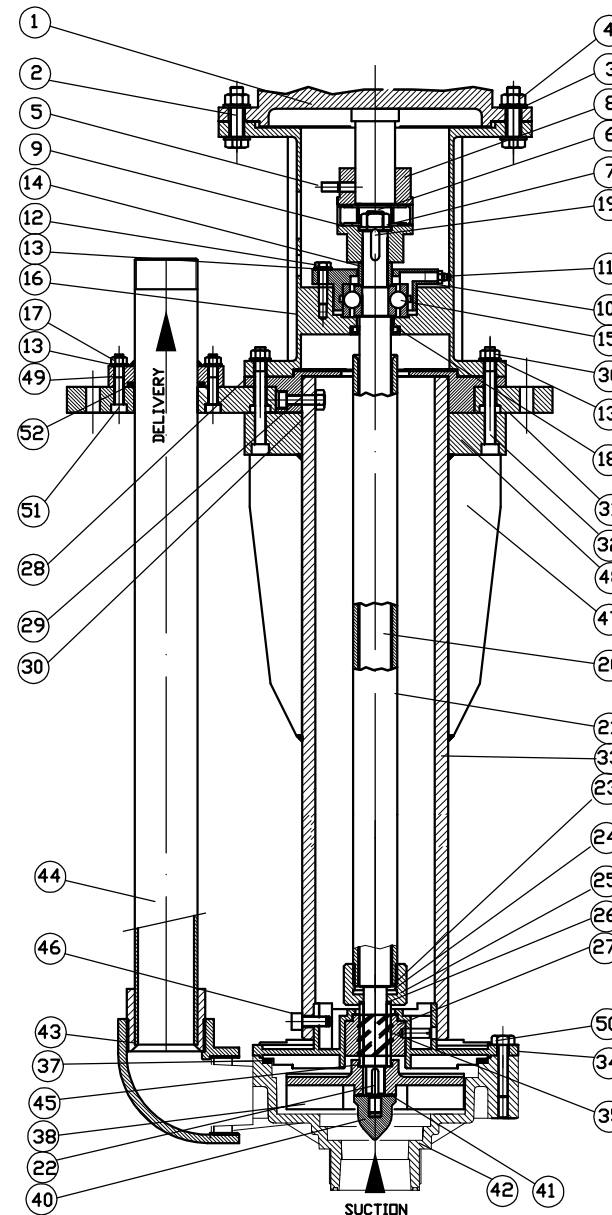
Max head/Prevalenza massima: 26 m

Max temperature/Temperatura massima: PP 60°C/PVDF 90°C

CURVES/CURVE 50HZ-2900 RPM



SECTION AND PARTS LIST/SEZIONE E LISTA PARTI

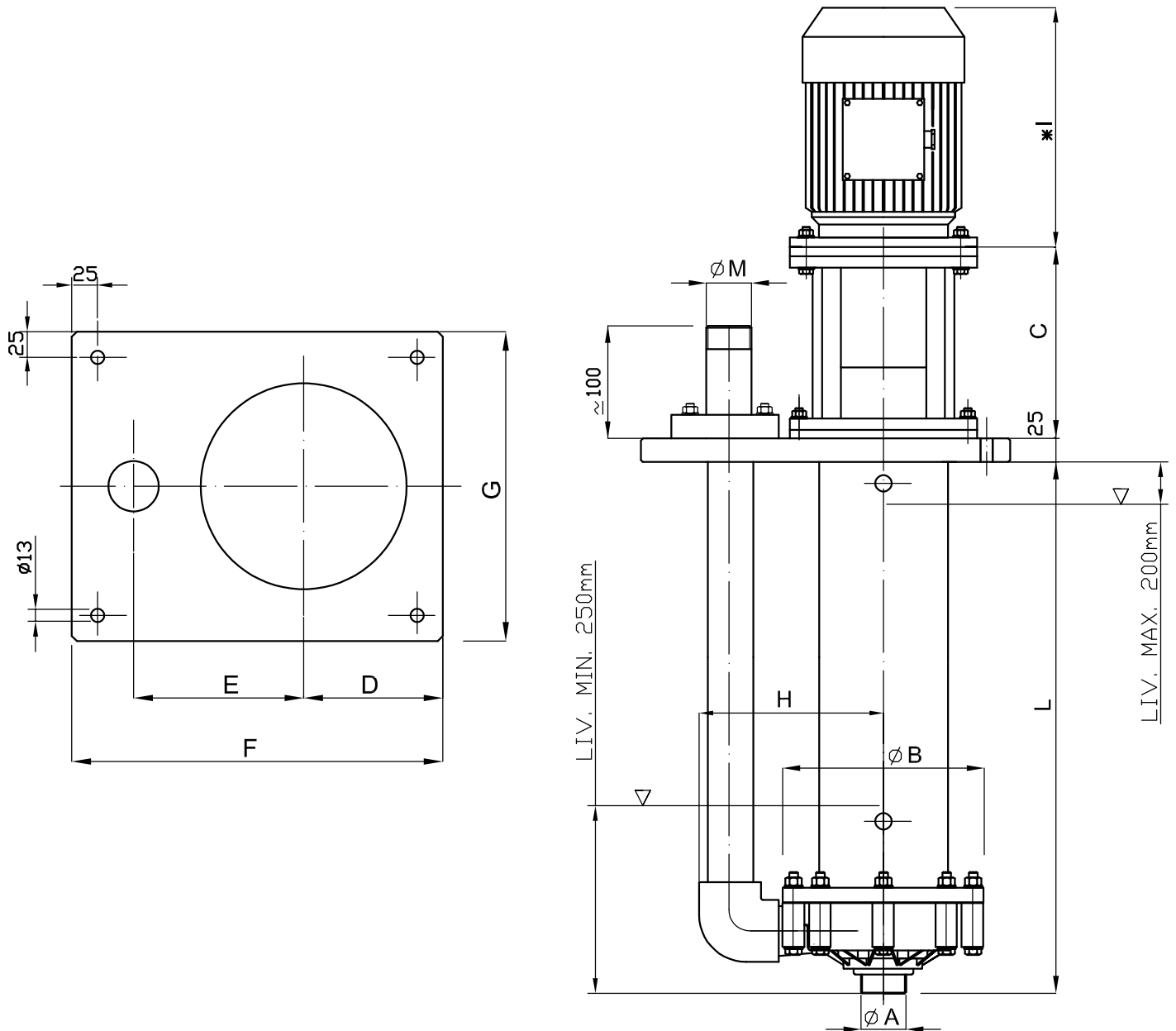


POS.	DESCR.	MAT.
1	Motor	
2	Screw	AISI304
3	Washer	AISI304
4	Nut	AISI304
5	Screw	AISI304
6	Nut	AISI304
7	Washer	AISI304
8	Motor joint	CAST IRON
9	Pump joint	CAST IRON
10	Cover	ALL.
11	Lubrif. nipple	BRASS
12	Screw	AISI304
13	Washer	AISI304
14	Spacer	C40
15	Bearing	
16	Bracket	ALL.
17	Nut	AISI304
18	Seal ring	EDPM/VITON
19	Key	AISI304
20	Shaft	C40
21	Shaft covering	PP
22	Key	AISI304
23	Washer	AISI304
24	Washer	AISI304
25	Guide shaft cov.	PP
26	O-ring	EDPM/VITON
27	Bushing	PTFEC
28	Upper support	PP
29	Screw	AISI304
30	Nut	AISI304
31	Plate	PP
32	Screw	AISI304
33	Column	PP
34	Cover	PP+GF/PVDF+CF
35	Wear bushing	Al203
37	O-ring	EDPM/VITON
38	Impeller	PP/PVDF
*40	Nut	PP+GF/PVDF+CF
*41	O-ring	EDPM/VITON
42	Pump head	PP+GF/PVDF+CF
43	Elbow	PP/PVDF
44	Flow pipe	PP/PVDF
45	O-ring	EDPM/VITON
46	Screw	PVDF
*47	Reinforced wing	PP
*48	Flange	PP
49	Flange	PP
50	Screw	PVC
51	Screw	AISI304
52	O-ring	EDPM/VITON

* FOR PUMPS DEPTH OVER 1250mm

* NUT WITH SS INSERT COVERED WITH PP/PVDF

DIMENSIONS/DIMENSIONI D'INGOMBRO



PUMP TYPE	MOTOR FLANGE B5	POT. Kw	DIMENSIONS - mm -										
			Ø A	Ø M	Ø B	C	D	E	F	G	H	*I	L
HVL 150	G 132 S2A	5.5	3" MALE	2" MALE	275	265	170	215	480	380	260	380	A RICHIESTA DA 500 A 2000mm ON REQUEST FROM 500 TO 2000mm

* Different according to the manufacturer / Diverso a seconda del fornitore

FEATURES/CARATTERISTICHE

Pump HVL/Pompa HVL: Vertical centrifugal with coupling
Verticale centrifuga con lanterna

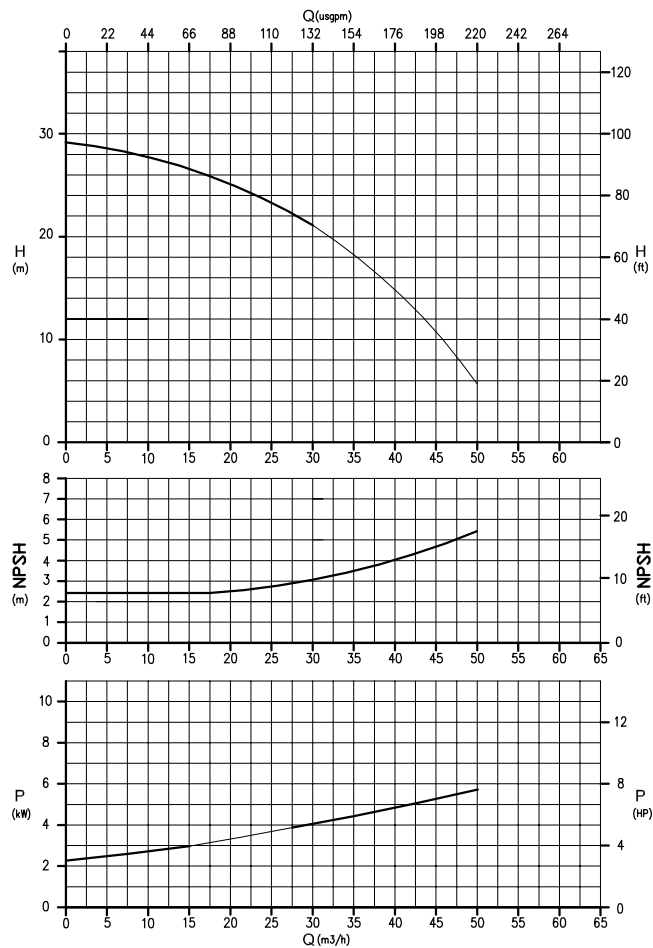
Materials available/Materiali disponibili: PP-PVDF

Max flow/Portata massima: 50 m³/h

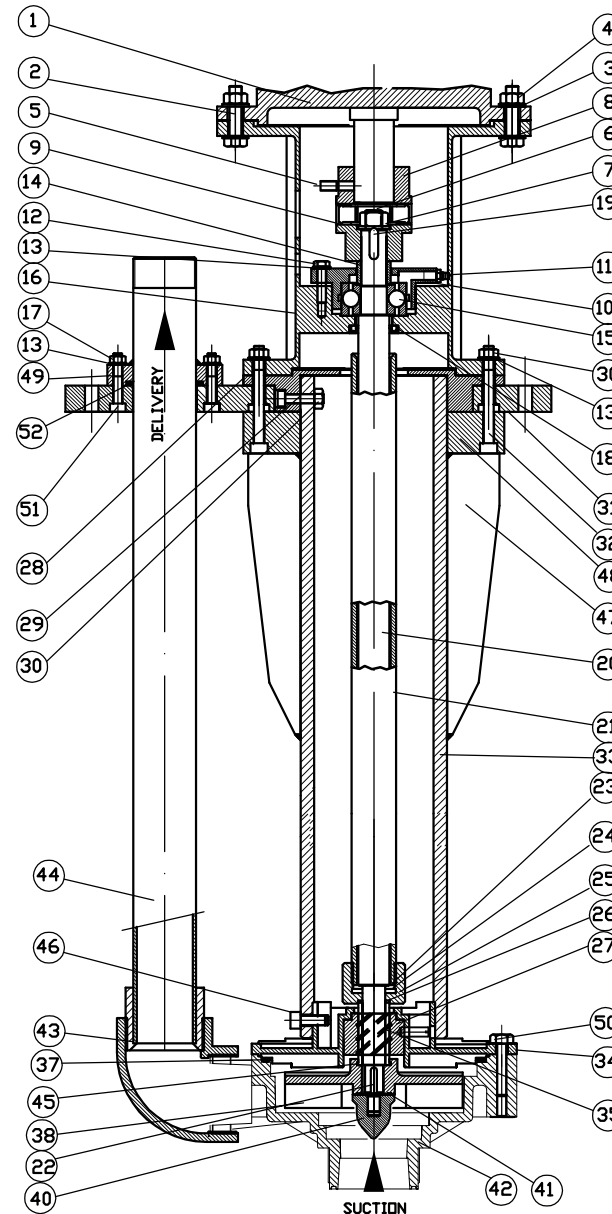
Max head/Prevalenza massima: 29 m

Max temperature/Temperatura massima: PP 60°C/PVDF 90°C

CURVES/CURVE 50HZ-2900 RPM



SECTION AND PARTS LIST/SEZIONE E LISTA PARTI

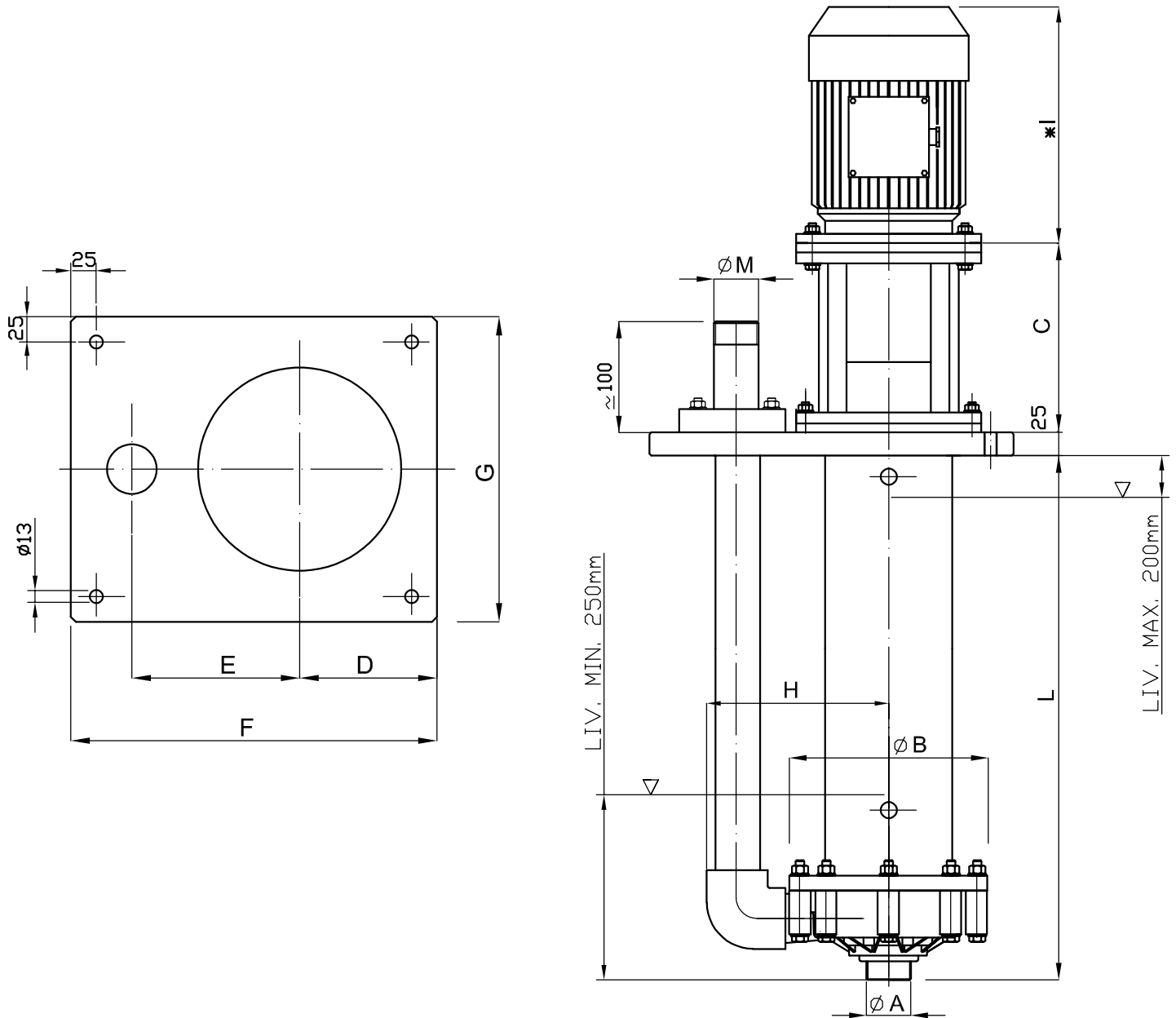


POS.	DESCR.	MAT.
1	Motor	
2	Screw	AISI304
3	Washer	AISI304
4	Nut	AISI304
5	Screw	AISI304
6	Nut	AISI304
7	Washer	AISI304
8	Motor joint	CAST IRON
9	Pump joint	CAST IRON
10	Cover	ALL.
11	Lubrif. nipple	BRASS
12	Screw	AISI304
13	Washer	AISI304
14	Spacer	C40
15	Bearing	
16	Bracket	ALL.
17	Nut	AISI304
18	Seal ring	EDPM/VITON
19	Key	AISI304
20	Shaft	C40
21	Shaft covering	PP
22	Key	AISI304
23	Washer	AISI304
24	Washer	AISI304
25	Guide shaft cov.	PP
26	O-ring	EDPM/VITON
27	Bushing	PTFEC
28	Upper support	PP
29	Screw	AISI304
30	Nut	AISI304
31	Plate	PP
32	Screw	AISI304
33	Column	PP
34	Cover	PP+GF/PVDF+CF
35	Wear bushing	Al203
37	O-ring	EDPM/VITON
38	Impeller	PP/PVDF
*40	Nut	PP+GF/PVDF+CF
41	O-ring	EDPM/VITON
42	Pump head	PP+GF/PVDF+CF
43	Elbow	PP/PVDF
44	Flow pipe	PP/PVDF
45	O-ring	EDPM/VITON
46	Screw	PVDF
*47	Reinforced wing	PP
*48	Flange	PP
49	Flange	PP
50	Screw	PVC
51	Screw	AISI304
52	O-ring	EDPM/VITON

* FOR PUMPS DEPTH OVER 1250mm

* NUT WITH SS INSERT COVERED WITH PP/PVDF

DIMENSIONS/DIMENSIONI D'INGOMBRO



PUMP TYPE	MOTOR FLANGE B5	POT. Kw	DIMENSIONS - mm -										
			Ø A	Ø M	Ø B	C	D	E	F	G	H	*I	L
HVL 155	G 132 S2A	5.5	3" MALE	2" MALE	275	250	170	215	480	380	260	380	A RICHIESTA DA 500 A 2000mm ON REQUEST FROM 500 TO 2000mm

* Different according to the manufacturer / Diverso a seconda del fornitore

FEATURES/CARATTERISTICHE

Pump HVL/Pompa HVL: Vertical centrifugal with coupling
Verticale centrifuga con lanterna

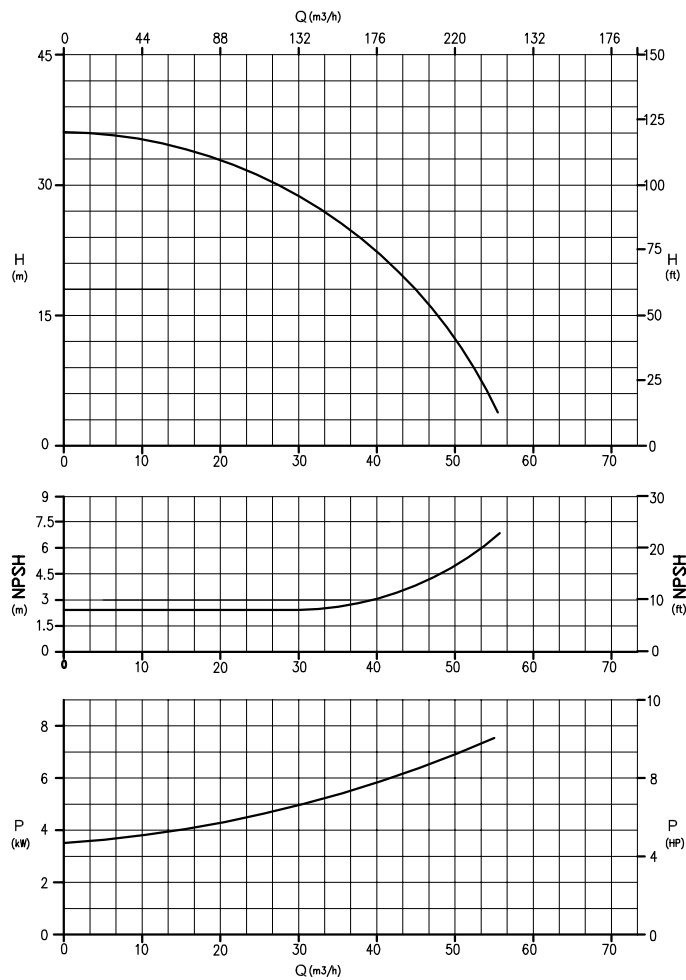
Materials available/Materiali disponibili: PP-PVDF

Max flow/Portata massima: 55 m³/h

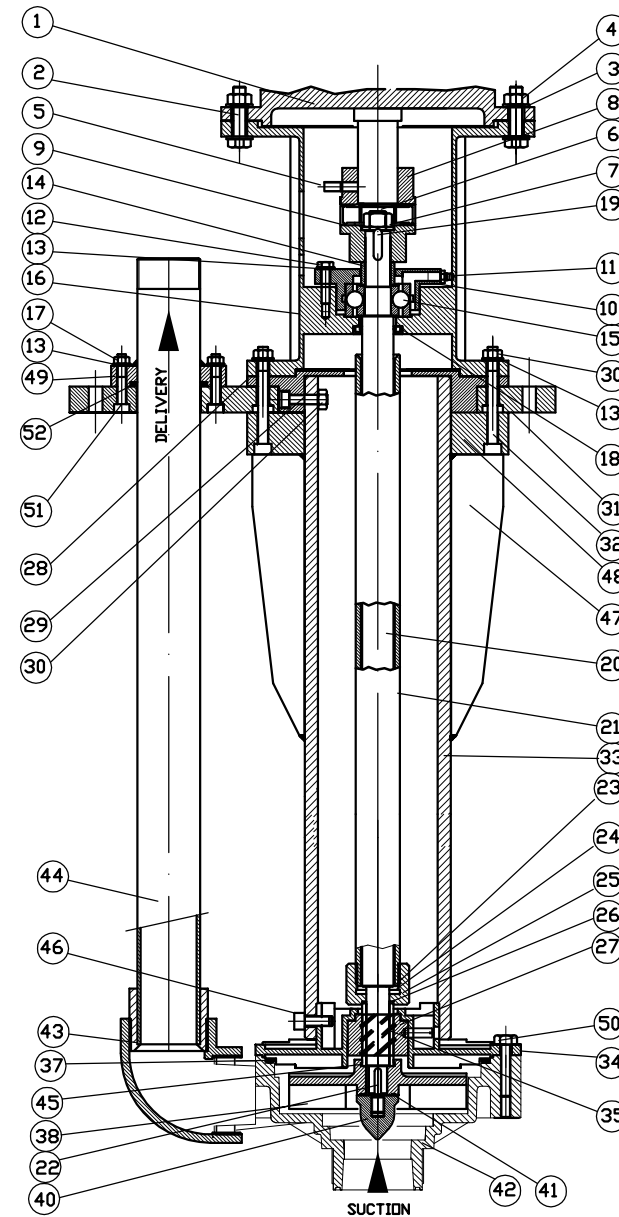
Max head/Prevalenza massima: 36 m

Max temperature/Temperatura massima: PP 60°C/PVDF 90°C

CURVES/CURVE 50HZ-2900 RPM



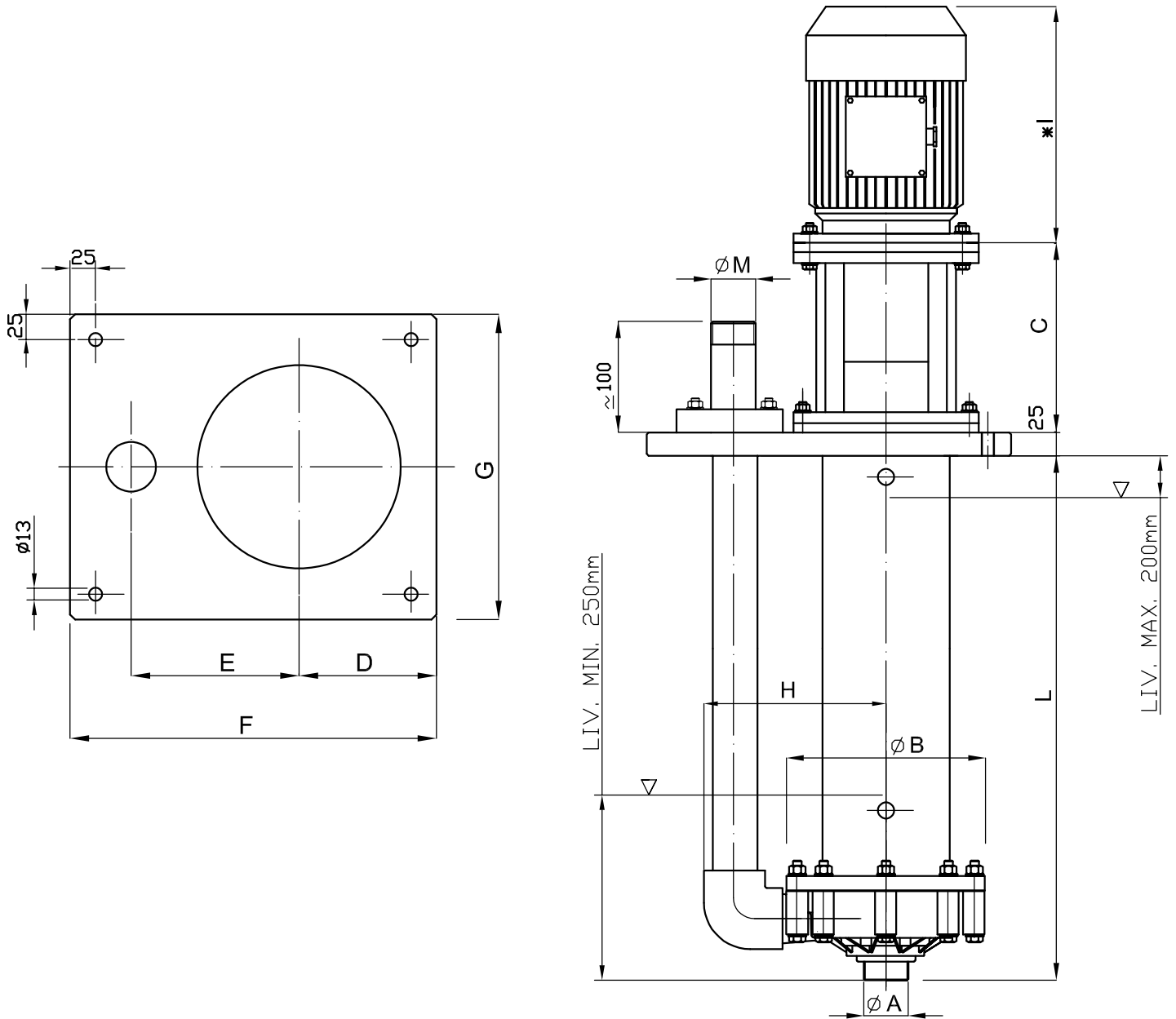
SECTION AND PARTS LIST/SEZIONE E LISTA PARTI



PDS	DESCR.	MAT.
1	Motor	
2	Screw	AISI304
3	Washer	AISI304
4	Nut	AISI304
5	Screw	AISI304
6	Nut	AISI304
7	Washer	AISI304
8	Motor joint	CAST IRON
9	Pump joint	CAST IRON
10	Cover	ALL.
11	Lubrif. nipple	BRASS
12	Screw	AISI304
13	Washer	AISI304
14	Spacer	C40
15	Bearing	
16	Bracket	ALL.
17	Nut	AISI304
18	Seal ring	EDPM/VITON
19	Key	AISI304
20	Shaft	C40
21	Shaft covering	PP
22	Key	AISI304
23	Washer	AISI304
24	Washer	AISI304
25	Guide shaft cov.	PP
26	O-ring	EDPM/VITON
27	Bushing	PTFEC
28	Upper support	PP
29	Screw	AISI304
30	Nut	AISI304
31	Plate	PP
32	Screw	AISI304
33	Column	PP
34	Cover	PP+CF/PVDF+GF
35	Wear bushing	AI203
37	O-ring	EDPM/VITON
38	Impeller	PP/PVDF
*40	Nut	PP+GF/PVDF+CF
41	O-ring	EDPM/VITON
42	Pump head	PP+GF/PVDF+CF
43	Elbow	PP/PVDF
44	Flow pipe	PP/PVDF
45	O-ring	EDPM/VITON
46	Screw	PVDF
*47	Reinforced wing	PP
*48	Flange	PP
49	Flange	PP
50	Screw	PVC
51	Screw	AISI304
52	O-ring	EDPM/VITON

* FOR PUMPS DEPTH OVER 1250mm
** NUT WITH SS INSERT COVERED WITH PP/PVDF

DIMENSIONS/DIMENSIONI D'INGOMBRO



PUMP TYPE	MOTOR FLANGE B5	POT. Kw	DIMENSIONS - mm -										
			Ø A	Ø M	Ø B	C	D	E	F	G	H	*I	L
HVL 160	G 132 S	7.5	3" MALE	2" MALE	275	250	170	215	480	380	260	420	A RICHIESTA DA 500 A 2000mm ON REQUEST FROM 500 TO 2000mm

* Different according to the manufacturer / Diverso a seconda del fornitore

FEATURES/CARATTERISTICHE

Pump HVL/Pompa HVL: Vertical centrifugal with coupling
Verticale centrifuga con lanterna

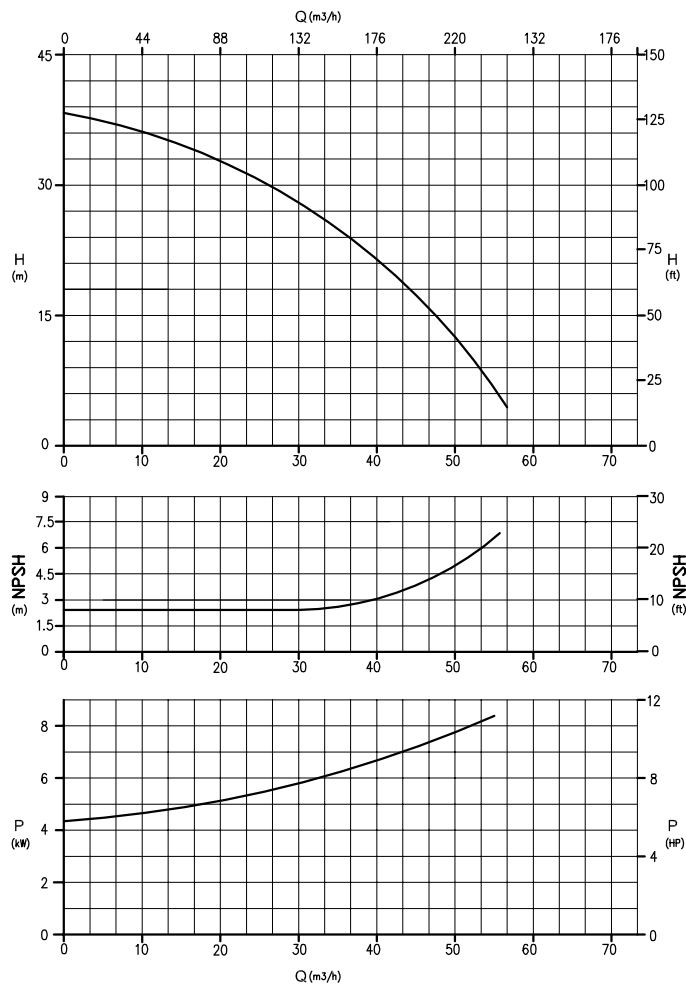
Materials available/Materiali disponibili: PP-PVDF

Max flow/Portata massima: 57 m³/h

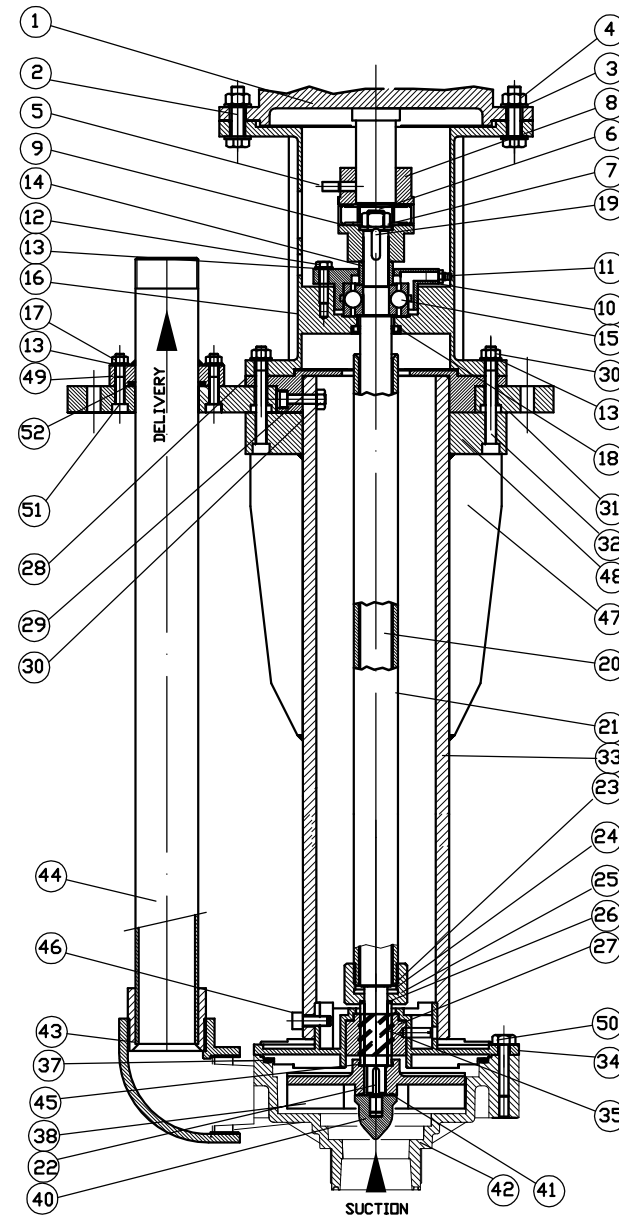
Max head/Prevalenza massima: 39 m

Max temperature/Temperatura massima: PP 60°C/PVDF 90°C

CURVES/CURVE 50HZ-2900 RPM



SECTION AND PARTS LIST/SEZIONE E LISTA PARTI

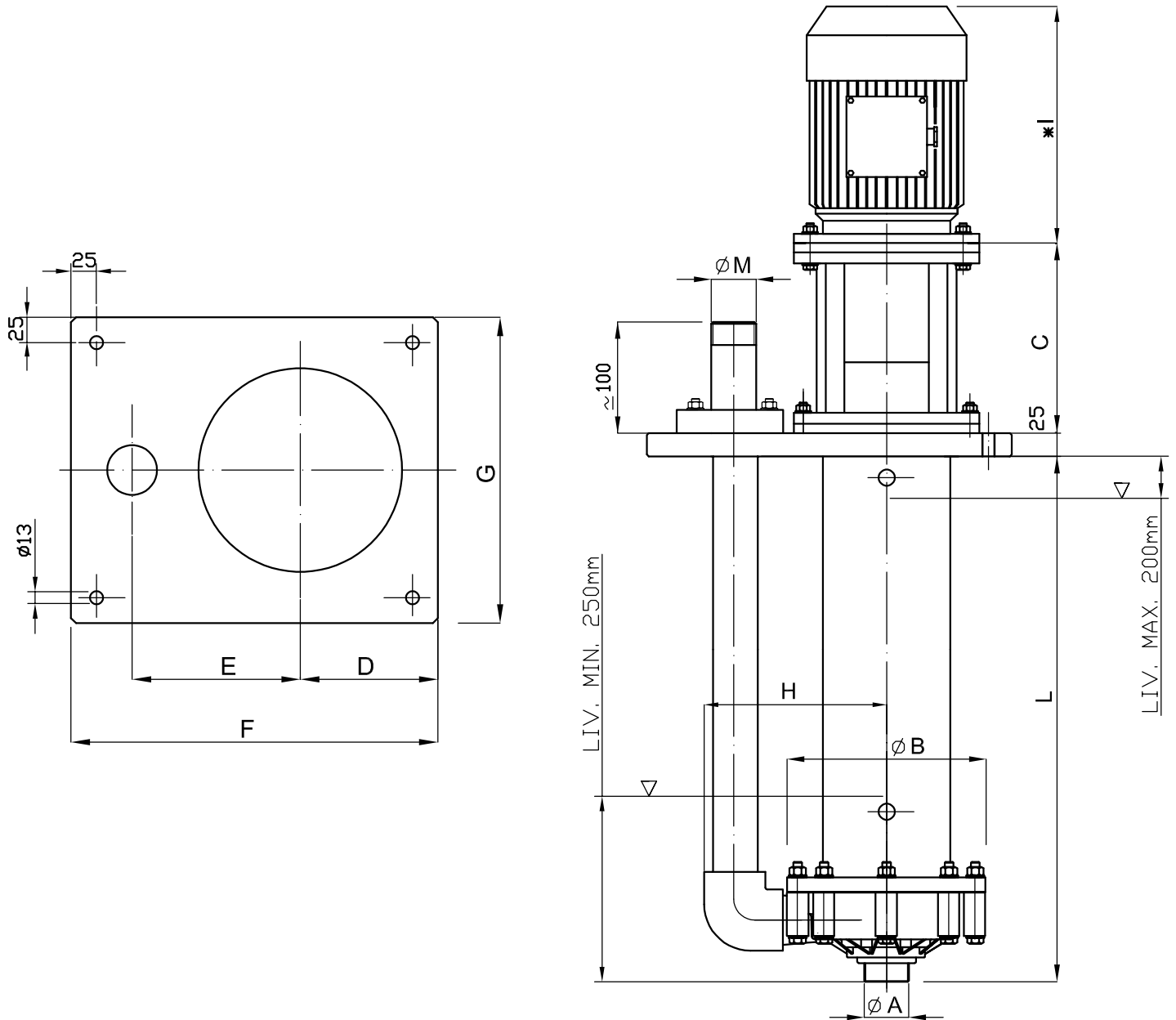


POS.	DESCR.	MAT.
1	Motor	
2	Screw	AISI304
3	Washer	AISI304
4	Nut	AISI304
5	Screw	AISI304
6	Nut	AISI304
7	Washer	AISI304
8	Motor joint	CAST IRON
9	Pump joint	CAST IRON
10	Cover	ALL.
11	Lubrif. nipple	BRASS
12	Screw	AISI304
13	Washer	AISI304
14	Spacer	C40
15	Bearing	
16	Bracket	ALL.
17	Nut	AISI304
18	Seal ring	EDPM/VITON
19	Key	AISI304
20	Shaft	C40
21	Shaft covering	PP
22	Key	AISI304
23	Washer	AISI304
24	Washer	AISI304
25	Guide shaft cov.	PP
26	O-ring	EDPM/VITON
27	Bushing	PTFEC
28	Upper support	PP
29	Screw	AISI304
30	Nut	AISI304
31	Plate	PP
32	Screw	AISI304
33	Column	PP
34	Cover	PP+GF/PVDF+CF
35	Wear bushing	Al203
37	O-ring	EDPM/VITON
38	Impeller	PP/PVDF
* 40	Nut	PP+GF/PVDF+CF
41	O-ring	EDPM/VITON
42	Pump head	PP+GF/PVDF+CF
43	Elbow	PP/PVDF
44	Flow pipe	PP/PVDF
45	O-ring	EDPM/VITON
46	Screw	PVDF
* 47	Reinforced wing	PP
* 48	Flange	PP
49	Flange	PP
51	Screw	PVC
52	O-ring	EDPM/VITON

* FOR PUMPS DEPTH OVER 1250mm

** NUT WITH SS INSERT COVERED WITH PP/PVDF

DIMENSIONS/DIMENSIONI D'INGOMBRO



PUMP TYPE	MOTOR FLANGE B5	POT. Kw	DIMENSIONS - mm -										
			ϕA	ϕM	ϕB	C	D	E	F	G	H	$\ast I$	L
HVL 170	G 132 S	9	3" MALE	2" MALE	275	250	170	215	480	380	260	420	A RICHIESTA DA 500 A 2000mm ON REQUEST FROM 500 TO 2000mm

* Different according to the manufacturer / Diverso a seconda del fornitore