



### 1. Purpose

Dangerous machine functions in partly automated industrial plants are generally screened off by a system of safety fences and doors. The safety doors must be provided with safety locks or safety switches. The objective is to achieve a high degree of safety against tampering. For many systems and according to DIN EN ISO 13849-1, the risk assessment analysis requires control category 3 for the protection of safety doors (two-channel, reciprocal monitoring). The SIDENT/III safety switch fulfils these criteria and is certified by the German Testing and Certification Bodies DGUV.

### 2. Principle of the SIDENT/III Safety Switch

The SIDENT/III safety switch and the actuating element SIDENT/B (no extra power supply), work using the identification principle with a 6-digit safety code, issued only once, with each "lock" (the SIDENT/III safety switch) fitting only one "key" (the actuating element SIDENT/B).

Release is only given as long as the actuating element is within the response range of the safety switch and the code number of the actuating element matches that of the switch.

The code number in the safety switch undergoes a two-channel analysis procedure. The two channels monitor each other on a reciprocal basis. Each has got one output with two output transistors each. Even in switched state, the outputs are continuously monitored.

A cyclic check allows the detection of any malfunctioning, resulting in short pulses on the non-faulty channel and protects at the same time from short circuits.

The evaluation device is typically a safety PLC or an emergency stop relay. It supplies the operating voltage for the safety switch and its two outputs. The supply of the outputs can give short timing signals which allow the PLC to check the connecting leads for circuit breaks and cross circuits (see also data of the safety PLC). A compatibility list can be requested on demand.

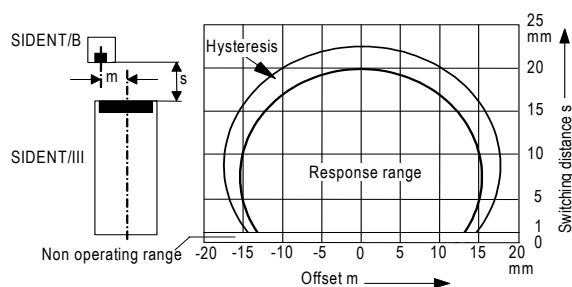
### 3. Versions

Both parts, the switch and the relevant actuating element, can be designed – up to a certain degree - according to customer specifications.

### 4. Response range

For parallel and centric alignment of the sensing faces of safety switch and actuating element, the following values apply. If the sensing faces are inclined at an angle of up to 30° towards each other, deviations by ± 10 % from the standard values occur.

**Please note:** The response range has not been determined according to EN 60947-5-2 but according to the diagram shown below.



Switching distance  $s = 20$  mm  
Width of the operating range  $B = 34$  mm  
Depth of the operating range  $T = 24$  mm  
Width of the hysteresis  $h = 1 \dots 2$  mm

Low temperatures and low voltages may reduce the switching distance by approx. 25 %.

### 5. Mounting

Safety switch and actuating element should be fixed positive-locking to door frame and door and must not be used as mechanical stops. The safety switch is normally attached to the door frame, whereas the actuating element, which requires no connecting wires, is fixed to the door itself. The manipulation safety can be increased by using (one-way) screws which cannot be undone.

Safety switch and actuating element should stand parallel and concentric to each other when the door is closed. Concerning the shape and the size of the response range, it is not relevant how the actuating element is moved towards the safety switch or moved away from it.

If the door is fitted with a latch, the actuating element can also be fitted directly thereto. An inadvertent closing of the door (without inserting the latch), which can be prevented by using an additional U-lock, does not activate the safety switch.

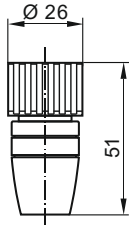
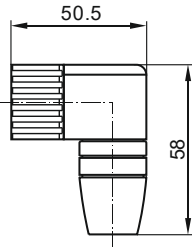
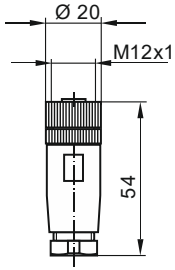
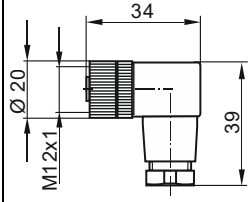
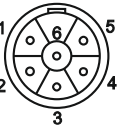
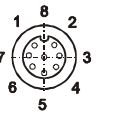
If two SIDENT/III safety switches are mounted with a distance less than 120 mm, the switching distance  $s$  may be reduced.

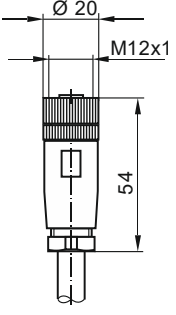
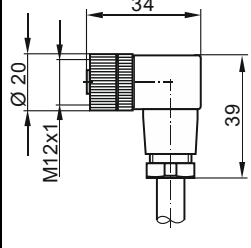
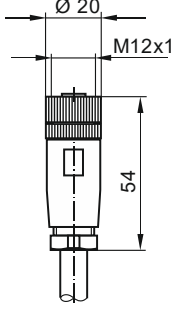
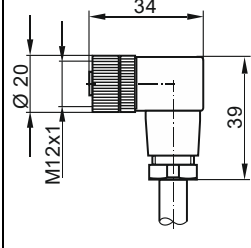
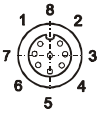
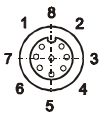
### 6. Important Notes

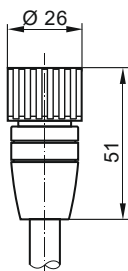
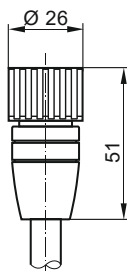
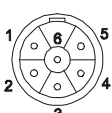
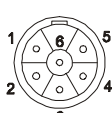
The products described in this description have been developed for safety-related functions as part of a complete plant or machine. A complete safety-related system usually contains switches, evaluation units, signal units and concepts for safe interruption. It is the responsibility of the manufacturer, respectively user of a plant or machine to ensure its correct overall function. Klaschka Industrieelektronik GmbH cannot guarantee all characteristics of a complete plant or machine not conceived by Klaschka.

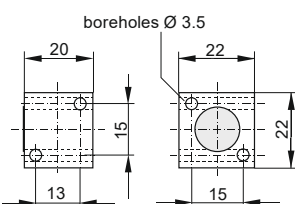
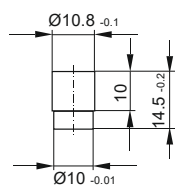
Furthermore, Klaschka accepts no liability for recommendations given or implied in this description. This description cannot be used to derive new guarantee, warranty or liability claims exceeding our terms of delivery.





Safety device	Connector		Connector	
Type	JKYfaZ-O-1	JKTfrZ-O-1	JKShaZ-O-1	JKShrZ-O-1
Ref. no.	13.99-49	13.99-58	13.99-47	13.99-50
Design, housing material	straight, metal	angled, metal	straight, plastic	angled, plastic
Protection rating, weight	IP 67		IP 67	
Protection insulation $\square$	protection class II according to IEC 947		protection class II according to IEC 947	
<b>Dimensions</b>				
Ambient temperature range	- 30 ... + 70 °C		- 30 ... + 70 °C	
Connection	socket, 6-pole		socket, 8-pole, M12 x 1	
Contact connection	crimp terminals		screw clamps	
Connection cross section	0.5 ... 0.75 qmm		0.5 qmm	
Lead throughput	6.5 ... 8 mm		6 ... 8 mm	
<b>Socket</b>				

Safety device	Connection lead		Connection lead	
Type	VLG 8E/6S/X-1	VLG 8E/6S/X-2	VLG 8E/6/X-1	VLG 8E/6/X-2
Ref. no.	20.18-53	20.18-56	20.18-54	20.18-57
Design, housing material	straight, plastic	angled, plastic	straight, plastic	angled, plastic
Protection rating, weight	IP 67		IP 67	
Protection insulation $\square$	Protection class II according to IEC 947		Protection class II according to IEC 947	
<b>Dimensions</b>				
	shielded version with especially high resistance to interference			
Ambient temperature range	- 30 ... + 70 °C		- 30 ... + 70 °C	
Connection	socket, 8-pole, M12 x 1		socket, 8-pole, M12 x 1	
Contact connection	screw clamps		screw clamps	
Lead length/ cross section	6 x 0.5 qmm		6 x 0.5 qmm	
<b>Socket / connection</b>		1: green 2: yellow 3: brown 4: pink 5: grey 6: white Shield: black		1: green 2: yellow 3: brown 4: pink 5: grey 6: white

Safety device	Connection lead	Connection lead
Type	VLG6E/6S/X-1	VLG6E/6/X-1
Ref. no.	20.18-60	20.18-61
Design, housing material	metal	metal
Protection rating, weight	IP 65	IP 65
Protection insulation	protection class II according to IEC 947	protection class II according to IEC 947
Dimensions	 shielded version with especially high resistance to interference	
Ambient temperature range	- 30 ... + 70 °C	- 30 ... + 70 °C
Connection	socket, 6-pole, Coninvers RC	socket, 6-pole, Coninvers RC
Contact connection type	crimp terminals	crimp terminals
Lead length/ cross section	6 x 0.5 mm <sup>2</sup>	6 x 0.5 mm <sup>2</sup>
Socket / connection	 1: green      5: grey 2: yellow    6: white 3: brown      shield: black 4: pink	 1: green      5: grey 2: yellow    6: white 3: brown 4: pink

Safety device	Actuating element	
Type	SIDENT/B-22fv20-401	SIDENT/B-11fs14-401
Ref. no.	13.14-30	13.14-40
Design, housing material	rectangle 22 x 22 x 20 mm, plastic	cylinder Ø 10.8 mm, plastic
Mounting or installation	fixing preferably with one-way screws (see order data)	fixing by using glue type: on request
Protection rating, weight	IP 67, 13 g	IP 67, 2 g
Protection insulation	protection class II according to IEC 947	protection class II according to IEC 947
Dimensions		
Identification	by 6-digit numeric code	
Control category	4 according to EN 13849-1	
Configuration	transponder	
Ambient temperature range	- 30 ... + 70 °C	

Safety Regulations	<p>Connection, commissioning and maintenance may only be accomplished by qualified or instructed staff.</p>	 
--------------------	---	--

## Important notes for area of application from 2021-01-01

From mid-2021 a proposal by the EU Commission for a revised Machinery Directive (206/42/EG) is planned. Standards to be revised are also affected (including Norms like DIN EN ISO 13849-1).

The European harmonized law replaces national provisions – applies within European Economic Area (EEA), Switzerland, Turkey.

**The validity of the certificates ends on 2020-12-31.**

(Installations outside the scope of the Machinery Directive are not affected).

From 2021-01-01, these products may not be used in new safety-relevant applications within the applicable guidelines.

**Last-order-date: 2020-11-30**

For applications within existing and already safety-compliant approved applications, as replacement and, if necessary, retrofitting, (also for applications outside the scope of the Machinery Directive) - SIDENT Safety switches are available furthermore.

For supporting information please contact us or your vendor / distributor.

## 11. Order Data

### 11.1. Safety Switch

**SIDENT/III-40fq50n20-11Sh1C** Ref. no. 13.14-42  
Safety Switch category 3,  
with M12 Euro connector,  
**short design**

**SIDENT/III-40fv114n20-11Sh1C** Ref. no. 13.14-44  
Safety Switch category 3,  
with M12 Euro connector  
**active surface variably positionable**

**SIDENT/III-40fv114n20-11Z1C** Ref. no. 13.14-65  
Safety Switch category 3,  
for Coninvers connector  
**active surface variably positionable**

### 11.2 Actuating Elements

**SIDENT/B-22fv20-401** Ref. no. 13.14-30  
Actuating element  
for SIDENT Safety Switch

**SIDENT/B-11fs-14-401** Ref. no. 13.14-40  
Minimal actuating element  
for SIDENT Safety Switch

### 11.3. Connecting Leads

Please indicate lead length X when placing the order  
(Standard value X = 5 m).

**VLG 8E/6S/X-1** Ref. no. 20.18-53  
Connecting lead for SIDENT,  
6-core, shielded (6 x 0.5 mm<sup>2</sup>),  
with M12x1 connector

**VLG 8E/6/X-1** Ref. no. 20.18-54  
Connecting lead for SIDENT,  
6-core, unshielded (6 x 0.5 mm<sup>2</sup>),  
with M12 x 1 connector

**VLG 8E/6S/X-2** Ref. no. 20.18-56  
Connecting lead for SIDENT,  
6-core, shielded (6 x 0.5 mm<sup>2</sup>),  
with M12x1 connector, angled

**VLG 8E/6/X-2** Ref. no. 20.18-57  
Connecting lead for SIDENT,  
6-core, unshielded (6 x 0.5 mm<sup>2</sup>),  
with M12x1-Steckverbinder, angled

**VLG 6E/6S/X-1** Ref. no. 20.18-60  
Connecting lead for SIDENT,  
6-core, shielded (6 x 0.5 mm<sup>2</sup>),  
with Coninvers connector,  
crimp terminals

**VLG 6E/6/X-1** Ref. no. 20.18-61  
Connecting lead for SIDENT,  
6-core, unshielded (6 x 0.5 mm<sup>2</sup>),  
with Coninvers connector,  
crimp terminals

#### 11.4. Connectors

**JKYfaZ-O-1** Ref. no. 13.99-49  
Coninvers connector,  
coupling, series 6-pole, crimp terminals

**JKTfrZ-O-1** Ref. no. 13.99-58  
Coninvers connector,  
coupling, series RC,  
6-pole, angled, crimp terminals

**JKShaZ-O-1** Ref. no. 13.99-47  
M12 connector,  
coupling, series M12  
8-pole, screw clamps

**JKShrZ-O-1** Ref. no. 13.99-50  
M12 connector,  
coupling, series M12  
8-pole, angled, screw clamps

#### 11.5. Accessories for Increasing the Manipulation Safety

**Self-cutting one-way screw** Ref. no 92.18-20  
Flat head tapping screw, 3.5 x 32 mm,  
one-way slot, stainless steel,  
for fixing the actuating element  
SIDENT/B-22fv20-401

**Self-cutting one-way screw** Ref. no. 92.18-21  
Flat head tapping screw, 4.8 x 50 mm,  
one-way slot, stainless steel,  
for fixing the safety switch  
SIDENT on a sheet metal base

**One-way screw with metrical thread** Ref. no. 92.18-22  
Semi-circular head screw, M5 x 35 mm,  
one-way slot, stainless steel,  
for fixing the safety switch  
SIDENT at Staufermatic latch

We are certified according to DIN EN ISO 9001

Subject to technical changes!