



GAST MANUFACTURING, INC.
 A Unit of IDEX Corporation
 Post Office Box 97
 Benton Harbor, Michigan
 Ph: 269/926-6171
 Fax: 269/925-8288

PART NUMBER:

RTD301

REV.

C

Product Specifications

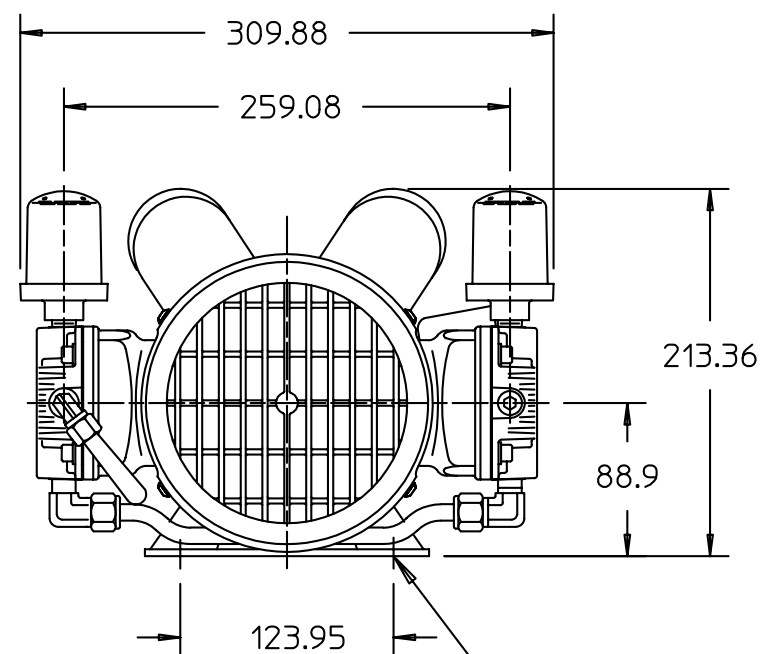
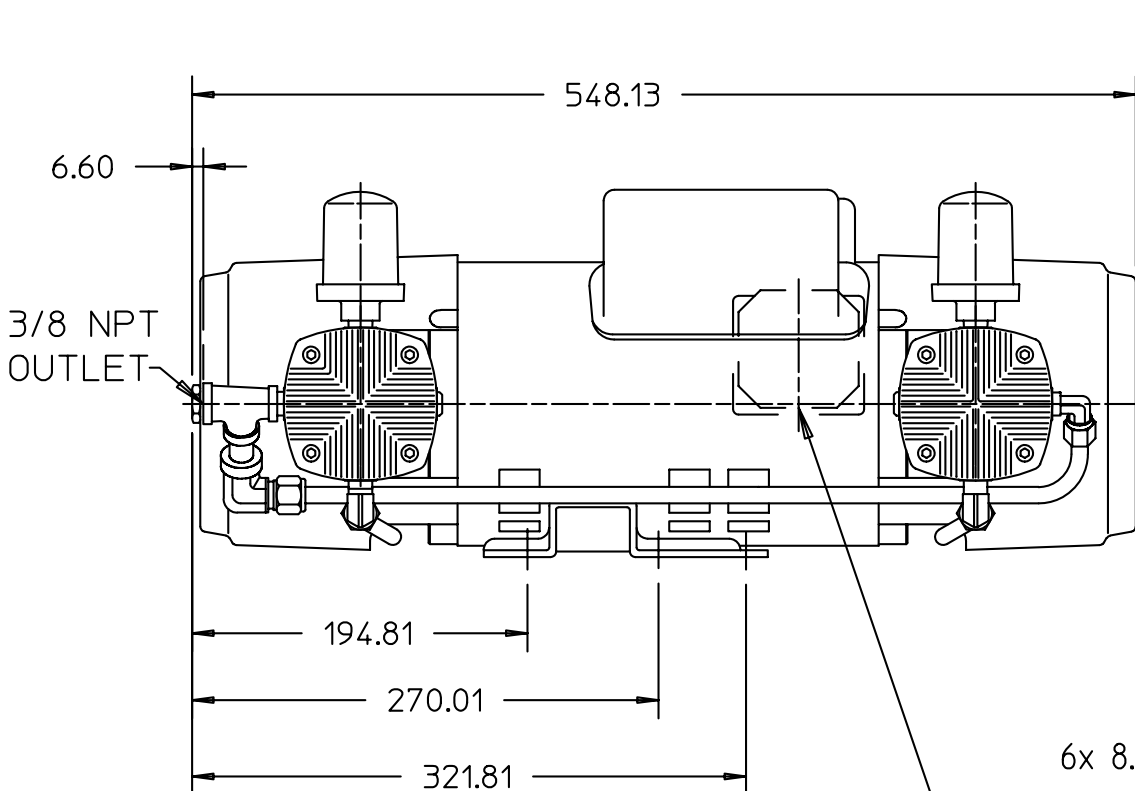
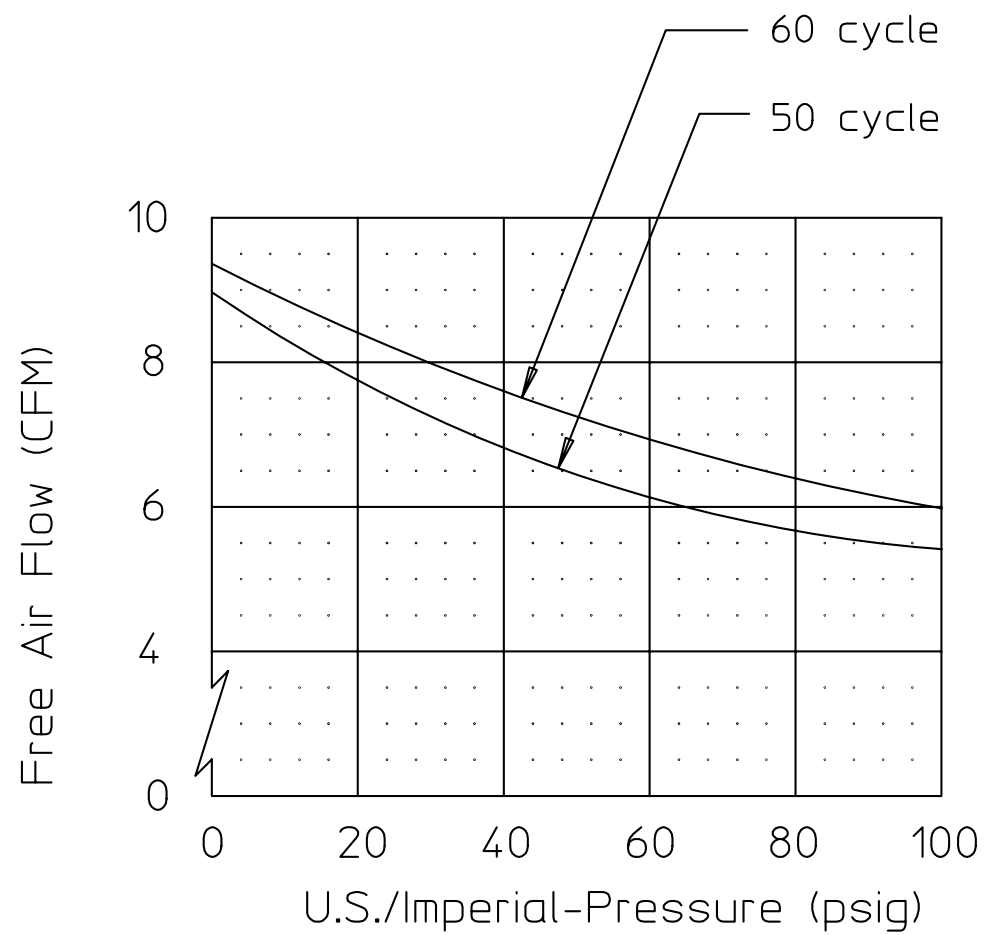
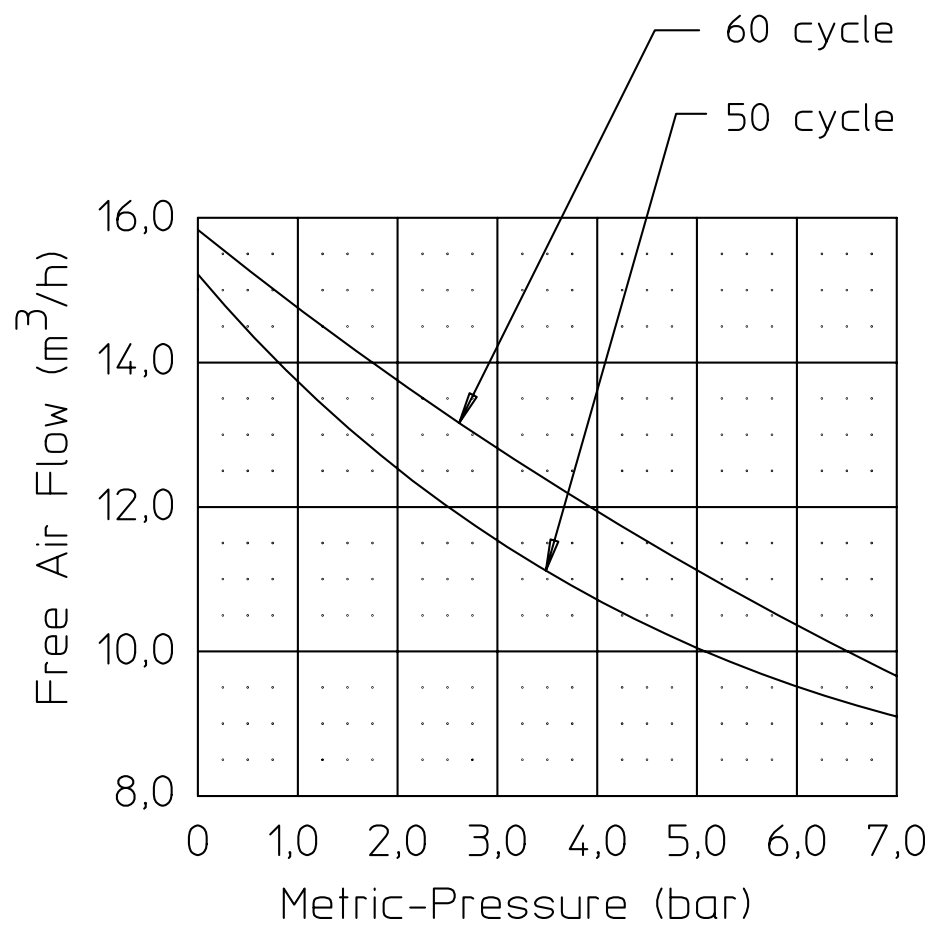
Model Number	Motor	RPM		HP	kW	Net lbs.	Wt. kg
		60 cycle	50 cycle				
7HDE-10-M850X	115-208-230 60 Hz. 110-220-240 50 Hz.	1725	1425	2.0	1.5	66	30

SOUND LEVEL 76 dB(A)
 NORMAL AMBIENT +5 degC - +40 degC
 RELATIVE HUMIDITY 20% - 80%
 ENVIRONMENT Clean Dust Free

NOTES:

1. ALL DIMENSIONS ARE FOR REFERENCE USE ONLY.
2. PRODUCT DIMENSIONS: METRIC (mm).
3. * = TECHNICAL DATA SUBJECT TO CHANGE WITHOUT NOTICE.
4. INSTALLATION: THIS PUMP MUST BE INSTALLED IN AN ENCLOSURE.

Product Performance



6x 8.6-9.4 WIDE x 22.3-23.1 LONG SLOT

∅27.7 THRU ELECTRICAL BOX