



GAST MANUFACTURING, INC.  
 A Unit of IDEX Corporation  
 Post Office Box 97  
 Benton Harbor, Michigan  
 Ph: 269/926-6171  
 Fax: 269/925-8288

PART NUMBER:

STD457

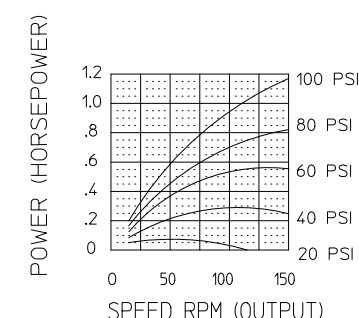
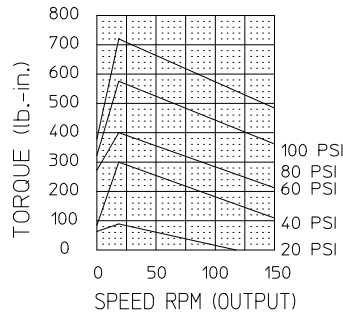
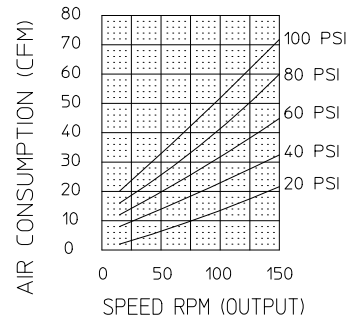
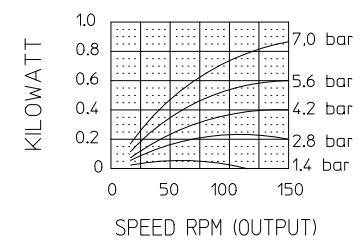
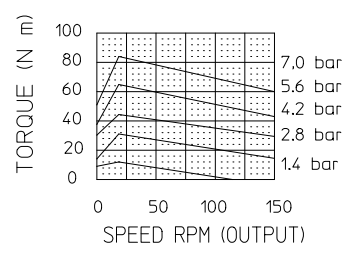
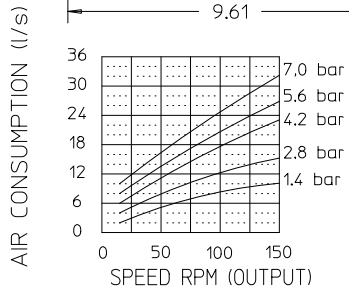
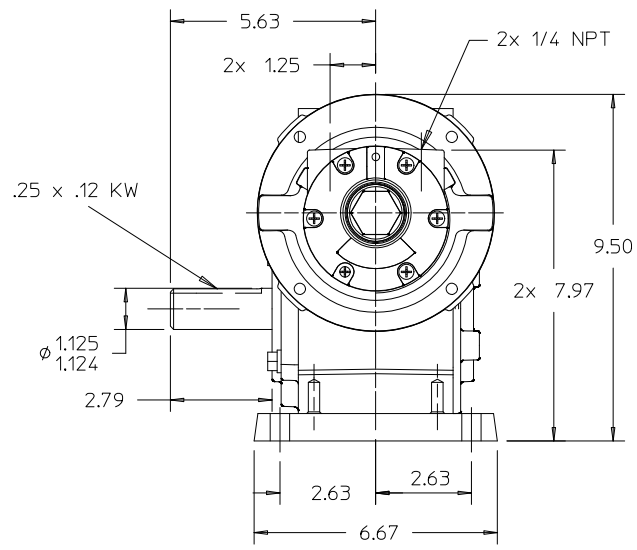
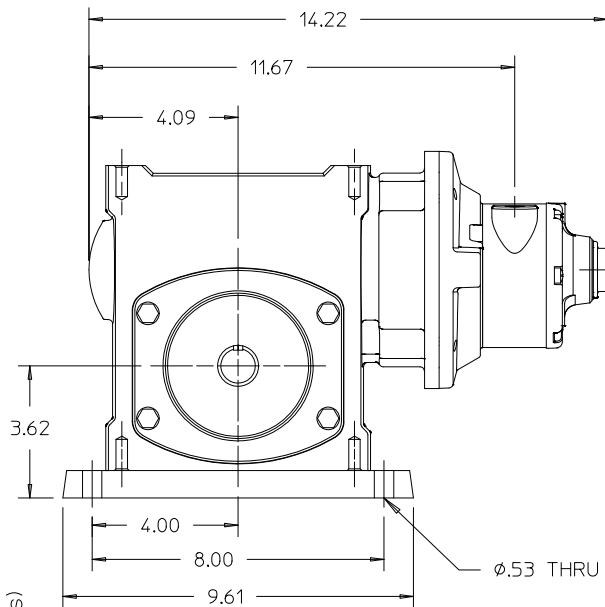
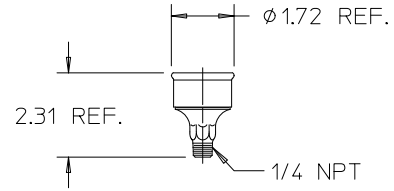
REV.:

C

NOTES:

1. TECHNICAL DATA SUBJECT TO CHANGE WITHOUT NOTICE.
2. CONFORMS TO EUROPEAN STANDARD EN13463-1  
 NON-ELECTRICAL EQUIPMENT FOR EXPLOSIVE  
 ATMOSPHERES GROUP II CAT 2 (GAS & DUST),  
 PROTECTED BY CONSTRUCTION (SURFACE TEMP. RATED 135°C).

SOUND LEVEL 113 dB(A) MAX.  
 NORMAL AMBIENT +1°C - +120°C  
 RELATIVE HUMIDITY 0% - 100%  
 ENVIRONMENT HAZARDOUS AMBIENT COMBUSTIBLE  
GAS AND DUST +1°C TO +40°C



Product Specifications

Model Number	MAX. PRESS.		MAX. SPEED	HP	kW	Net Wt.	
	bar.	PSI				lbs.	kg
4AM-70C-CB20	70	100	150 RPM	1.2	0,9	60	27,0