



EB-45 Direct SharkBite® Pressure Regulating Valve

DESCRIPTION

The Cash Acme EB-45 Direct SharkBite Valve (EB45-DSB) is a lead free* half-cartridge based pressure reducing and regulating valve with a bronze body. The valve construction is similar to a traditional regulator in that it retains a separate spring chamber and adjusting screw, but offers the simplicity and maintenance benefits of a cartridge based valve.

The EB45-DSB is assembled using modular construction methods and features integral SharkBite connections in 1/2" through 1" sizes. Connect the SharkBite pressure regulating valve to copper tubing, and CTS CPVC and PEX in seconds with ease.

The EB45-DSB is supplied by the factory with a standard delivery setting of 45 psi. The outlet pressure can be adjusted from 10-70 psi without changing the spring. This valve is intended for use where supply line pressure does not exceed 200 psi, and is suited for either cold or hot (to 180°F) water service. All models are lead free*.

FEATURES AND BENEFITS

Modular Cartridge Design reduces the number of parts requiring service:
Quick and Easy Service/Repair.

Instant push-fit connections for increased ease of use:
No soldering, glue or tools required to make connection.

Rugged bronze body:
Superior reliability, improved user safety.

Compact pressure reducing valves:
Smaller installation footprint and economically priced.

Certified to ASSE Standard 1003, CSA Standard B356, and ASSE Standard 1061. Listed by IAPMO and ASSE and certified lead free complying with NSF 372:
Inspector friendly for peace of mind.

Back-pass check mechanism integral with the cartridge:
No add-on or small parts, longer life and more reliable performance.

Every valve is tested for performance prior to shipping:
Specify and install with confidence.

Assembled and tested in the USA:
Prepared in our manufacturing plant in Cullman, Alabama.

SPECIFICATION

A pressure regulating valve shall be installed to reduce high supplies of incoming water pressure. The valve shall be approved in accordance with ASSE standard 1003, CSA Standard B356 and IAPMO UPC. The valve shall have a bronze body, brass and stainless steel internals, an EP diaphragm, stainless steel strainer screen, an inbuilt back-pass check, and integral SharkBite push-to-connect ends. The valve shall be used on copper tubing, and CTS CPVC and PEX. The valve shall be a **Cash Acme EB-45 Direct SharkBite Pressure Regulating Valve**.



23808-0045



24473-0045

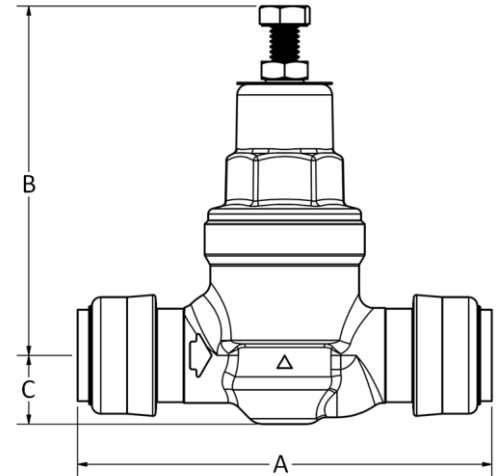
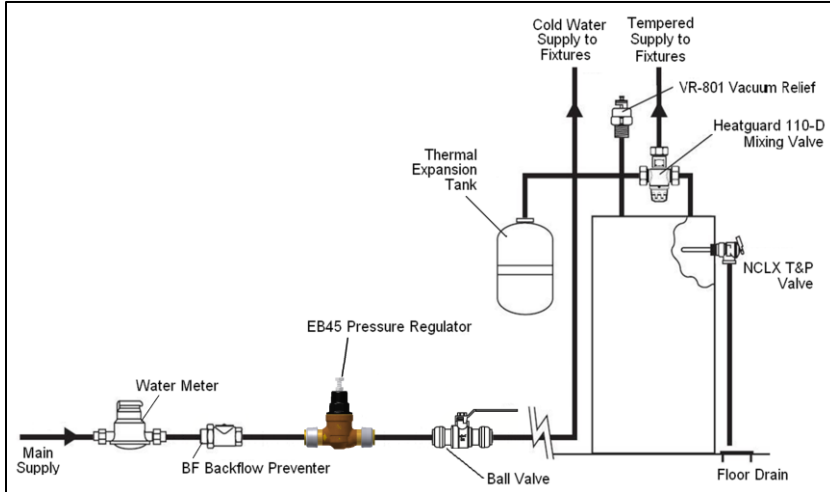


Patent Pending



EB-45 Direct SharkBite® Pressure Regulating Valve

TYPICAL INSTALLATION



SPECIFICATION DATA

Performance:

Maximum pressure 200 psi
 Maximum temperature 180°F (93°C)
 Service Potable Water
 Outlet pressure range 10-70 psi

EB45-DSB Valve Materials:

Body Lead Free* Bronze
 Spring Chamber:
 1/2" and 3/4" Models Reinforced Engineered Polymer or Iron
 1" Model Iron
 Adjustable Spring Steel (zinc plated)
 Pressure Plate Steel (zinc plated)
 Diaphragm Reinforced EPDM
 Body Seat:
 1/2" and 3/4" Models Polyphenylene Ether +PS
 1" Model Polysulfone
 Seat Disc EPDM
 Piston Stainless/ Brass
 Strainer Screen Stainless Steel
 O-Ring EPDM

SharkBite® Materials:

Body (1" only) Lead Free* DZR Brass
 O-ring EPDM
 Grab ring Stainless steel
 Tube support liner Polysulfone

Valve Size	A	B	C
1/2"	4.24	4.37	0.75
3/4"	4.48		
1"	6.12	4.35	1.05

WATER CAPACITY (gpm)

Pipe Size	P ₂ Variation (PSI)	Differential Pressure (P ₁ -P ₂) PSI			
		10	25	50	100+
1/2" & 3/4"	5	1.8	2.3	2.4	2.8
	10	4.8	5.3	6.0	8.9
	15	9.1	10.0	10.9	11.8
1"	20	14.3	15.8	16.5	16.6
	5	1.5	2.0	2.7	6.9
	10	8.7	12.8	13.6	17.5
	15	14.2	20.9	27.3	28.0
	20	17.3	25.7	30.9	42.8

CERTIFICATIONS

The EB45 Direct SharkBite Pressure Reducing Valve is certified to standards ASSE 1003 and CSA B356 and is listed by ASSE and IAPMO (cUPC). The SharkBite push-fit fittings have been design certified and listed to ASSE 1061 and NSF/ANSI 61, listed by IAPMO, and are certified for potable water distribution. The EB45 Direct SharkBite Pressure Regulating Valve is compliant with NSF/ANSI 61 and NSF/ANSI 372.

*For all models, surfaces that are in contact with consumable water contain less than 0.25% lead by weight.

