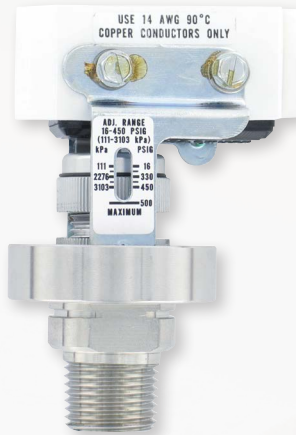




## SERIES A1F | MERCOID® LOW COST OEM PRESSURE SWITCH



A1F



A1F with -PC weatherproof housing

### FEATURES/BENEFITS

- 15 A contact allows direct control reducing costs and reliability by having to introduce additional contacts and relays
- Case style allows use for panel mounting application with optional weather-proof enclosure for use in outdoor environments
- Field adjustable reduces installation time bring application on-line faster
- Wetted material provides support for wider range of process media

### APPLICATIONS

- OEM
- Compressors
- Motor control
- Process equipment
- Pump control

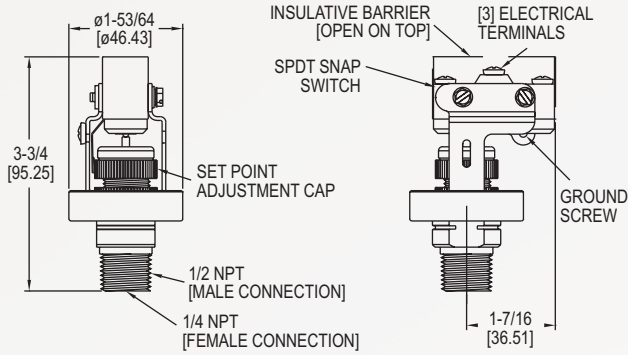
### DESCRIPTION

Low cost and precision made, the **Series A1F Low Cost OEM Pressure Switch** is ideal for OEM industrial applications. Wetted materials of 316 SS and fluorocarbon ensure great chemical compatibility with a wide range of process media. The open case style is perfect for panel mounting applications like pump skids. Weatherproof enclosure is available in polycarbonate offering a low cost weatherproof switch. Superior 15 A contact allows direct control of motors or pumps without the use of external relays, a true cost savings.

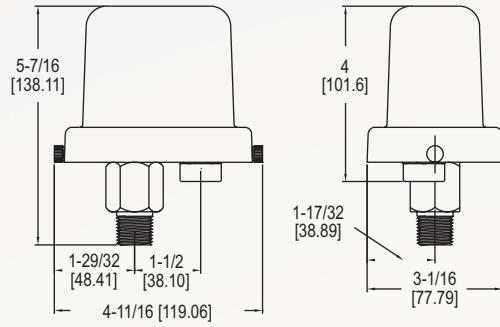
### SPECIFICATIONS

|                              |  |
|------------------------------|--|
| <b>Service</b>               | Compatible liquids and gases.  |
| <b>Wetted Materials</b>      | Pressure chamber: 316 SS; Diaphragm: Fluorocarbon.                               |
| <b>Temperature Limit</b>     | -40 to 175°F (-40 to 80°C).  |
| <b>Pressure Limits</b>       | 500 psig (34 bar).   |
| <b>Enclosure Rating</b>      | No rating for open construction. Optional -PC enclosure meets NEMA 4X standards. |
| <b>Switch Type</b>           | SPDT snap switch.  |
| <b>Electrical Rating</b>     | 15 A @ 120/240/480 VAC, 1/8 HP @ 125 VAC, 1/4 HP @ 250 VAC.                      |
| <b>Electrical Connection</b> | Screw terminals.   |
| <b>Process Connection</b>    | 1/4" female NPT and 1/2" male NPT.   |
| <b>Mounting Orientation</b>  | Within 20° of vertical.  |
| <b>Set Point Adjustment</b>  | Knurled screw cap with indicating scale.   |
| <b>Deadband</b>              | Fixed, see products on Order page for minimum and maximum deadband.              |
| <b>Weight</b>                | 10.5 oz (297 g).   |
| <b>Agency Approvals</b>      | CE, cUL, UL.   |

**DIMENSIONS**



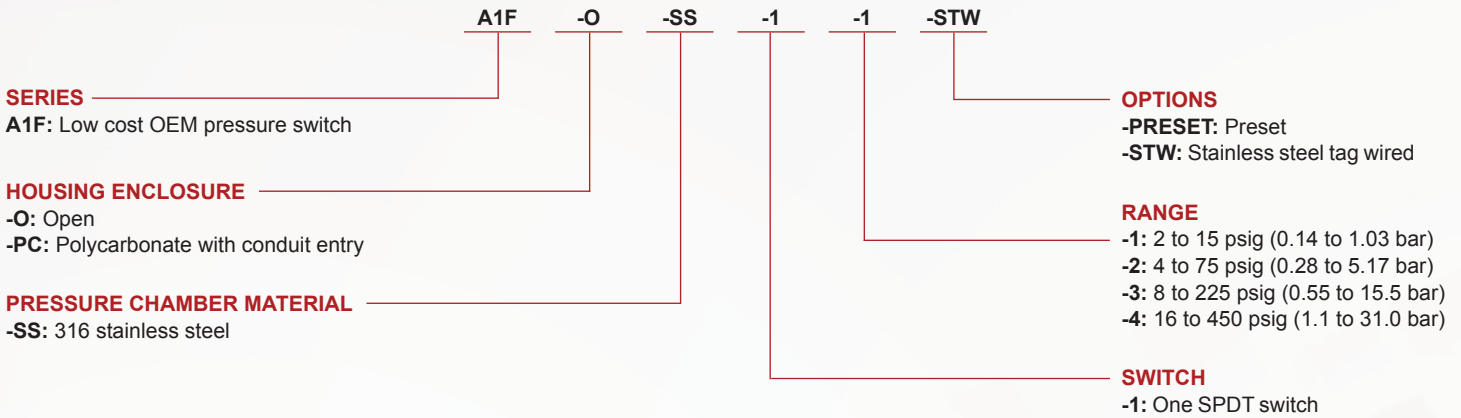
**A1F**



**A1F with -PC weatherproof housing**

**HOW TO ORDER**

Use the **bold** characters from the chart below to construct a product code.



**ORDER ONLINE TODAY!**

[dwyer-inst.com/Product/SeriesA1F](http://dwyer-inst.com/Product/SeriesA1F)



**DWYER INSTRUMENTS, INC.**