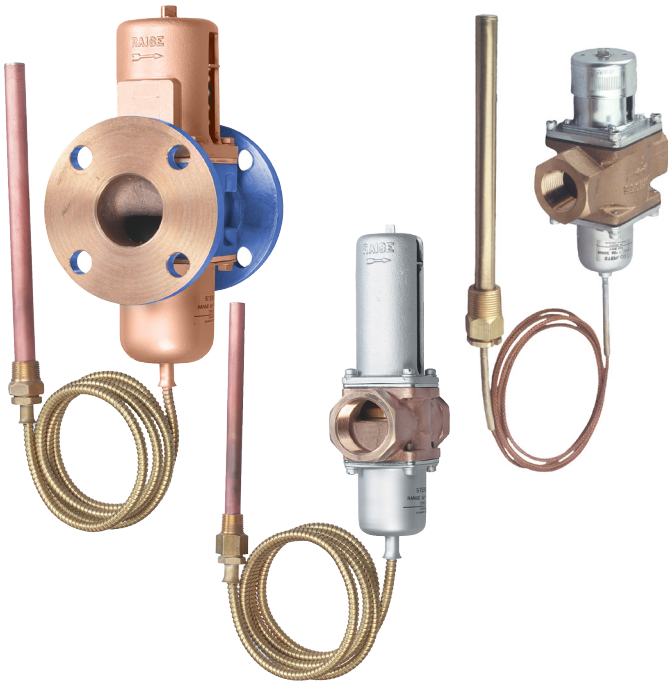


56-T SERIES

Temperature Actuated Water Regulating Valve



Technical Specifications

The Sterlco® 56-T Series Temperature Actuated Water Regulating Valve evenly regulates cooling water and other fluids in the most rugged applications. It's ideal for hydraulic power packaged equipment, hydraulic presses, or wherever reliable performance is required.

Sterlco® self-modulating cooling control valves are temperature actuated, self powered, and applicable to cooling processes using water or other fluids. 56-T Series valves are available in eight different sizes. To ensure dependability, every valve is factory-tested three times in different temperature baths. For the temperature control you need, get the valve that can deliver.

Features

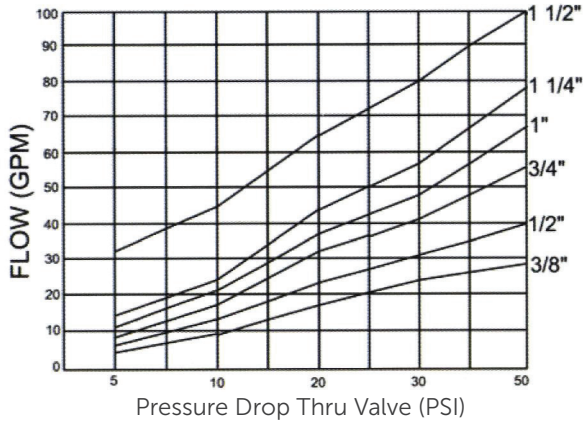
Standard Features

- Precise control from 40° to 275°F
- Sizes from 3/8" to 2 1/2"
- Sturdy, brass alloy body, 3/8" - 1 1/2"
- Cast iron body, 2" - 2 1/2"
- Heavy-duty, direct acting bellows
- Buna-N seat disc
- Replaceable seat beads
- 125# ANSI Flange (2" and 2 1/2" valves)

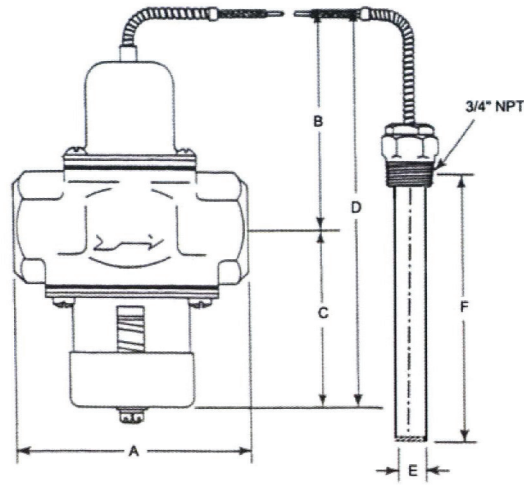
Product Diagrams and Specifications

3/8", 1/2", 3/4", 1", 1-1/4", 1-1/2"

Flow Chart

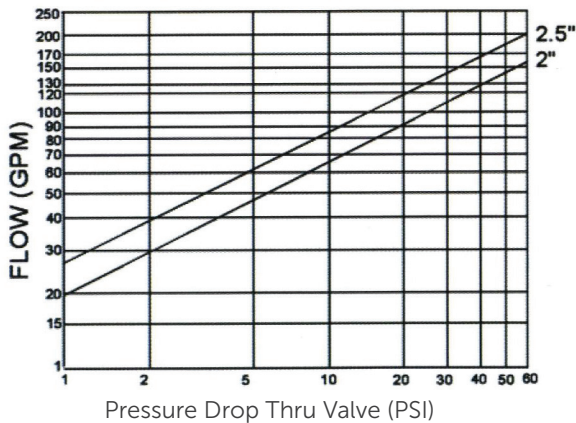


All flow capacities are based upon a 24 degree F max temperature rise above valve opening point.

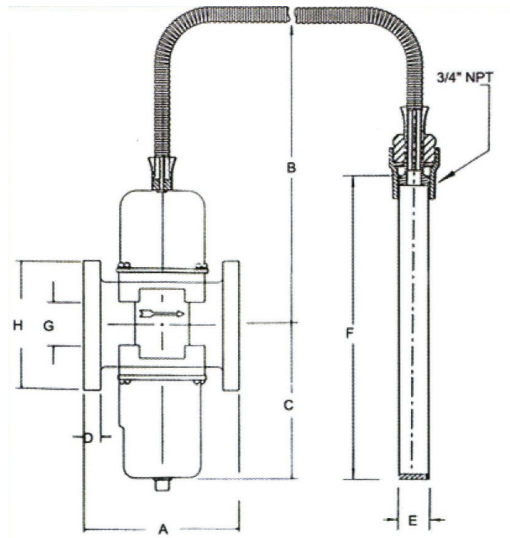


	A (In.)	B (In.)	C (In.)	D (In.)	E (In.)	F (In.)	Width (In.)	Weight	Cv
3/8"	3-3/32	3-11/32	3-1/32	6-3/8	5/8	6	2-1/8	2lbs. 6oz	2.06
1/2"	3-3/32	3-11/32	3-1/32	6-3/8	5/8	6	2-1/8	2lbs. 6oz	4.38
3/4"	3-3/8	4-1/16	3-1/4	7-5/16	5/8	8-1/4	2-1/8	3lbs. 6oz	7.70
1"	4-3/4	4-3/16	3-27/32	8-1/16	5/8	8-1/4	2-3/4	6lbs. 2oz	9.72
1-1/4"	5-1/4	4-3/16	3-27/32	8-1/16	5/8	8-1/4	2-3/4	7lbs.	12.5
1-1/2"	5-5/16	7	6-5/16	13-5/16	9/16	8	2-3/4	10lbs.	14

2" and 2.5" Flow Chart



All flow capacities are based upon a 24 degree F max temperature rise above valve opening point.



	A (In.)	B (In.)	C (In.)	D (In.)	E (In.)	F (In.)	G (In.)	H (In.)	Weight (lbs.)	Cv	# Of Holes	Hole Size	Bolt Circle
2"	6-5/8	9	6-3/8	5/8	3/4	11	2-1/4	6	22	20	4	3/4	4-3/4
2-1/2"	6-3/4	9-1/2	6-5/8	11/16	3/4	11	2-3/4	7	30	26	4	3/4	5-1/2

Size

3/8", 1/2", 3/4", 1", 1 1/4", 1 1/2" 2", 2 1/2"

Fluid Pressure Range

Up to 125 PSI for 3/8" through 1 1/4"
Up to 150 PSI for 1 1/2" through 2 1/2"

Standard Temperature Ranges

(opening point adjustment may be anywhere within the standard ranges shown)

3/8" through 1-1/4"	1-1/2" through 2-1/2"
• 40°F - 100°F	• 60°F - 140°F
• 60°F - 140°F	• 100°F - 175°F
• 100°F - 175°F	• 160°F - 230°F
• 125°F - 200°F	
• 140°F - 240°F	
• 200°F - 275°F	

Body

Brass Alloy Casting, 3/8" - 1 1/2"
Cast Iron Casting, 2" - 2 1/2"

Valve Parts

Brass Alloy

Standard Capillary Length

6' (for other capillary lengths, consult factory)

Valve Mounting

Any position

Standard Bulbs

- For 3/8" and 1/2" valve sizes: 5/8" x 6" with 3/4" union connection
- For 3/4", 1", and 1 1/4" valve sizes: 5/8" x 8 1/4" with 3/4" union connection
- For 1 1/2" valve sizes: 9/16" x 8" with 1/2" union connection
- For 2" and 2 1/2" valve sizes: 3/4" x 11" with 3/4" union connection

Special Bulbs

3/8" through 1 1/4" sizes: 9/16" x 3 1/4" with 1/2" union connection; 9/16" x 6 3/4" with 1/2" union connection.
Available on special order. Please consult factory for details.

Seat Disc

Replaceable Buna-N

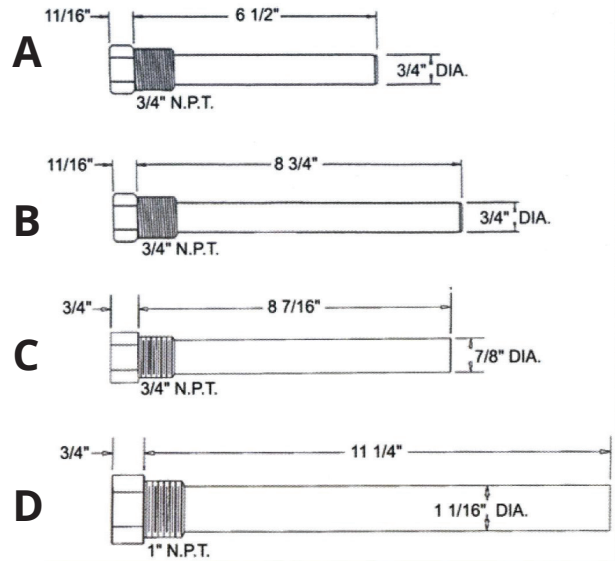
Seat Bead

Replaceable stainless steel (3/8" through 1 1/4").
Replaceable brass (1 1/2" through 2 1/2")

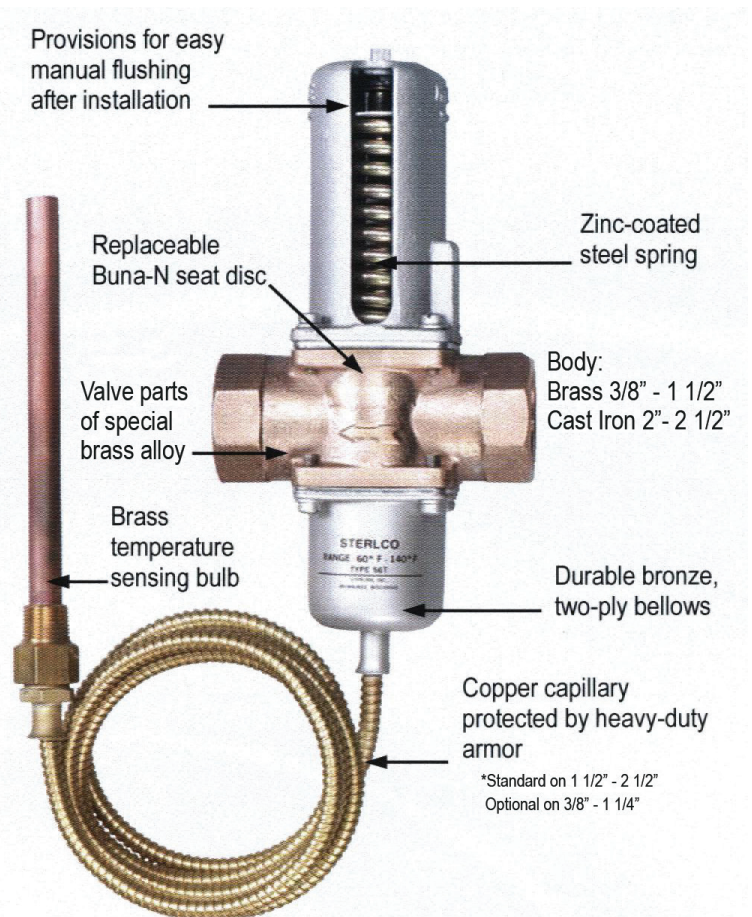
Temperature Adjustment

For 3/8" - 1 1/4" valves: For lower temperature, turn adjusting screw counterclockwise. For higher temperature, turn clockwise.
For 1 1/2" - 2 1/2" valves: For lower temperature, turn adjusting screw clockwise. For higher temperature, turn counterclockwise.

Bulb Wells (Available in stainless steel or brass)



- A) Used on 3/8" and 1/2" valves
- B) Used on 3/4", 1", and 1 1/4" valves
- C) Used on 1 1/2" valves
- D) Used on 2" and 2 1/2" valves



56 Series Features

The Sterlco® 56 Series Pressure Actuated Water Regulating Valve features a compact, dependable design made from sturdy, brass alloy casting. To accommodate pressures from 70 to 260 PSI without changing springs, simply turn the adjustment screw at the base of the valve.

You can easily mount the valve in any position without mounting brackets. The 56 Series valve comes with a sturdy actuating element with powerful bellows designed for use with open and hermetically sealed condensing units. The valve is designed with a zinc-coated steel spring and provisions for easy manual flushing after installation.

Head Pressure Range	Water Pressure	Connection	Body	Seat Disc	Seat Bead	Spring Housing
70-260 PSI	125 PSI	1/4" flare, 30" capillary	Brass alloy casting	Buna-N	Stainless Steel	Enclosed steel for extra strength and protection

	A (In.)	B (In.)	C (In.)	D (In.)	Width (In.)	Weight	Cv
3/8"	3-3/32	3-11/32	3-1/32	6-3/8	2-1/8	2lbs. 6oz	2.0
1/2"	3-3/32	3-11/32	3-1/32	6-3/8	2-1/8	2lbs. 6oz	4.5
3/4"	3-3/8	4-1/16	3-1/4	7-5/16	2-1/8	3lbs. 6oz	7.8
1"	4-3/4	4-3/16	3-27/32	8-1/16	2-3/4	6lbs. 2oz	10.8
1 1/4"	5-1/4	4-3/16	3-27/32	8-1/16	2-3/4	7lbs.	12.5

