



- 1NO/1NC & 2NO
- Quick Make, Quick Break, Single Pole, Double Throw (SPDT) with four terminals
- Rocker-Type SNAP-LOCK® Technology
- Standard Mounting Style Available
- Spark-proof Aluminum Housing
- Rugged Construction
- Proven Performance
- Heavy Duty Butt Contact Arrangements
- Built for Hazardous Location Requirements

Technical Data

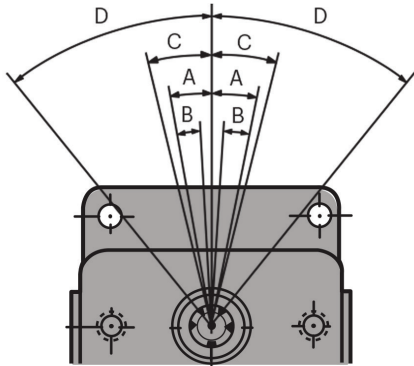
- Meets NEMA 1, 4, 7, 9 & 13 requirements. Enclosure is watertight, oil & dust tight
- Temperature Range: -20°C to + 90°C
- Operating lever is adjustable by 7°30' increments thru 360°
- Adequate wiring space is ample for four no. 12 AWG conductors
- Form "Z" contact arrangement
- Options available
 - Precious metal contacts
 - High Temperature (10°C to + 180°C) components and lubricants
 - Low Temperature (-40°C to + 90°C) components and lubricants
- Weight - Approx. 4.4 lbs.

Continuous Current Rating - Amperes

Volts	AC	DC
125	20	5
250	15	1.5
480	10	
600	5	

75-100% Power Factor
Heavy Pilot Duty 600 VAC max.

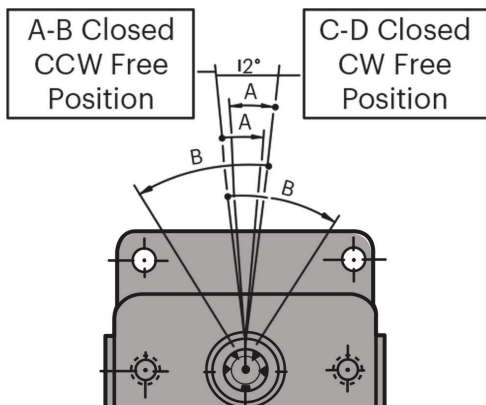
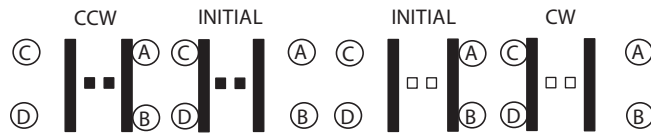
Operational Data



Standard Travel - CW & CCW

- A. Pre-Trip Travel..... 10°
- B. Movement Differential..... 8°
- C. Recommended Travel..... 13°
- D. Total Travel..... 38°

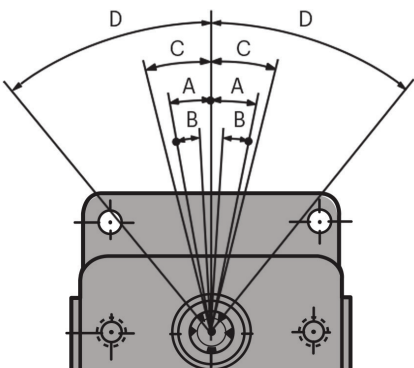
Max Torque During Pre-Travel 13 lb-in.
 Max Torque at Total Travel..... 35 lb-in.



CW & CCW (No Return Spring)

- A. Pre-Trip Travel (CW or CCW)..... 10°
- B. Total Travel (CW or CCW)..... 8°

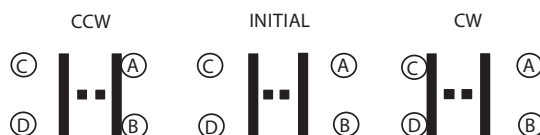
Max Torque During Pre-Travel 5 lb-in.
 Max torque at Total Travel..... 25 lb-in.



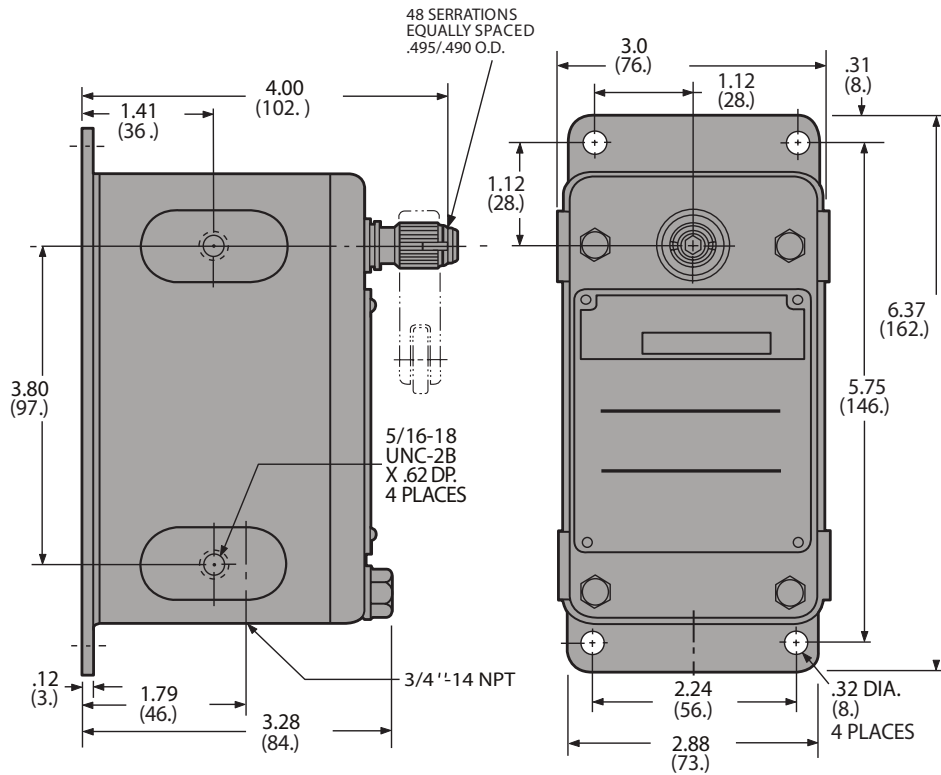
Neutral Position

- A. Pre-Trip Travel (CW or CCW)..... 7°
- B. Movement Differential (CW or CCW)..... 6°
- C. Recommended Travel (CW or CCW)..... 7°30'
- D. Total Travel (CW or CCW)..... 33°

Max Torque During Pre-Travel 22 lb-in.
 Max torque at Total Travel..... 35 lb-in.



Dimensions & Mounting



Ordering Information

EA880 - 1

