

NUCLEAR QUALIFIED

- Double Pole Double Throw (DPDT)
- Rocker Type SNAP-LOCK® Technology
- Qualified to IEEE Standards 344-1975, 323-1974 and 382-1972
- Manufactured to a quality assurance program designed to meet the requirements of 10CFR50, Appendix B and ANSI N45.2, as applicable
- Diecast bronze housing for corrosion resistance
- Stainless steel top cover and fasteners
- Gold plated contacts to minimize resistance and ensure years of reliable service
- High temperature components and lubricants
- Seismic and vibration resistant
- Resists chemical spray
- Positive lever latching mechanism
- Available in three mount styles (Standard, Long, Wide)



Technical Data

- Two normally open and two normally closed, NEMA form "Z" contact arrangement
- Enclosure meets NEMA 1, 4 and 13 requirements for dust-tight, water-tight and oil-tight applications
- Operating lever is adjustable in 7°30' increments through 173°
- Adequate wiring space for nine conductors
- Operating Temperature: 0° to 90°C; Short term exposure to 175°C
- Pre-Travel: 10° or 6.5°; Maximum Travel: 37°
- Weight: EA180-302: 4.5lbs.; EA180-402: 5.5lbs
- DBE Maximum Test Parameters
 - Temperature: 340°F
 - Pressure: 70 PSIG
 - Radiation: 204 megarads gamma

Continuous Current Rating

120 VAC	20 AMPS*
250 VAC	15 AMPS*
480 VAC	10 AMPS*
600 VAC	5 AMPS*
125 VDC	5 AMPS
250 VDC	1.5 AMPS

*75-100% Power Factor

Ordering Information

EA180- A B CDE

Mounting

Rotation Direction/
Trip Travel

Nuclear Qualified
Connection Option/
Qualifications

A: Mounting

B: Rotation Direction

CDE: Nuclear Qualified Connection Option

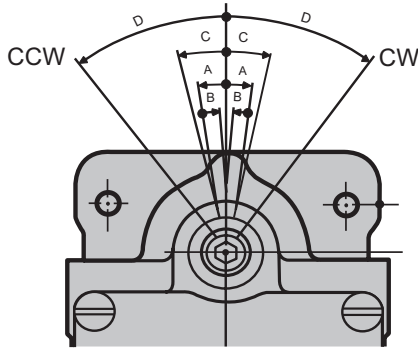
- 1 - Standard Mount
- 2 - Wide Mount
- 3 - Long Mount

- 1 - Clockwise & Standard Travel
- 2 - Counterclockwise & Standard Travel
- 3 - Maintained & Standard Travel
- 4 - Clockwise & Short Travel
- 5 - Counterclockwise & Short Travel
- 6 - Maintained & Short Travel

- 302 - Open Conduit Entrance with Generic Gen-2 Nuclear Qualifications
- 307 - Open Conduit Entrance (Wolsong 2, 3 & 4)
- 309 - Open Conduit Entrance (ULCHIN 1, 2, 3, 4, 5 & 6; YONGGWANG 5 & 6; Shin-Kori 1 & 2; Shin-Wolsong 1 & 2; BNPP 1, 2, 3, & 4; Shin-Hanul 1 & 2)
- 402 - 9-Pin QDC with Generic Gen-2 Nuclear Qualifications
- 501 - 4-Pin QDC with Generic Gen-2 Nuclear Qualifications
- 502 - 4-Pin QDC with Generic Gen-2 Nuclear Qualifications



Operational Data



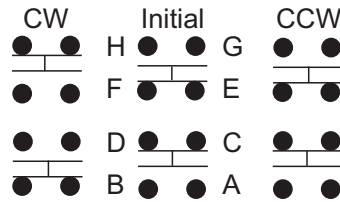
Series EA180 - Standard

- A. Trip Travel 10°
- B. Reset Travel 8°
- C. Recommended Travel 13°
- D. Total Travel 37°
- E. Torque to Trip (Inch Lbs.)..... 21

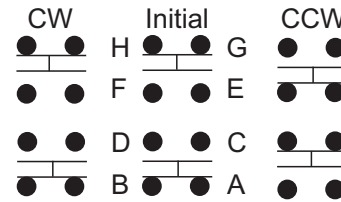
Series EA180 - Short Travel

- A. Trip Travel 6°30'
- B. Reset Travel 4°
- C. Recommended Travel 7°
- D. Total Travel 36°
- E. Torque to Trip (Inch Lbs.) 32

For CW Switch

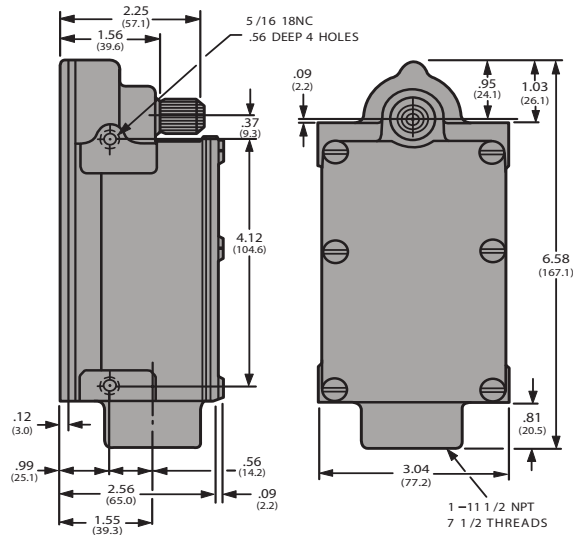


For CCW Switch

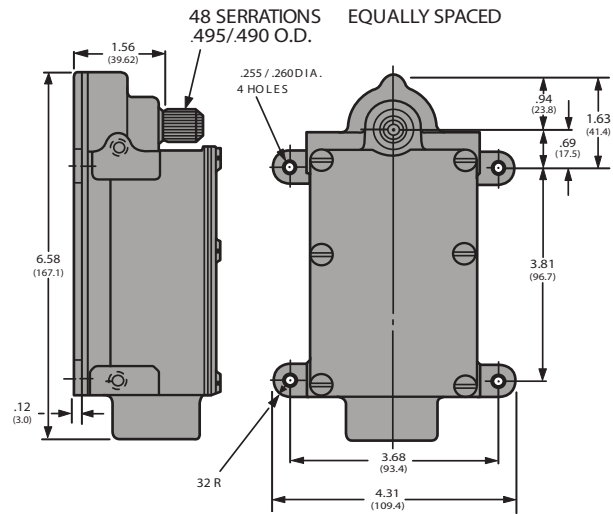


Maintained Contacts & Lever Position

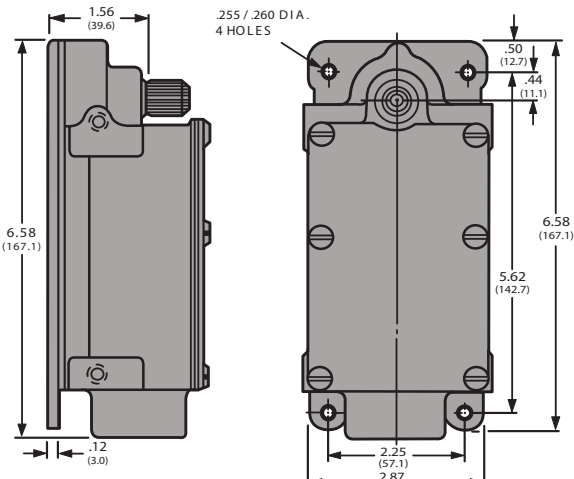
Standard Mounting



Wide Mounting



Long Mounting



Quick Disconnect Mounting

