



VEPHDL SERIES

The **VEPHDL Series Heavy-Duty Locking Flat Face Coupler** is the ultimate failsafe solution for the most demanding hydraulic applications. This locking female version is interchangeable with standard VEPHD series flat face thread-to-connect heavy duty couplers and features a visual connection indicator for foolproof connection, every time.

Categories: [Skid Steer Hydraulic Couplers](#), [Threaded Flat Face Couplers](#) Tags: [Industry: Mobile](#), [Industry: Oil & Gas](#)

- [Description](#)
- [Quick Specs](#)

DESCRIPTION

FEATURES

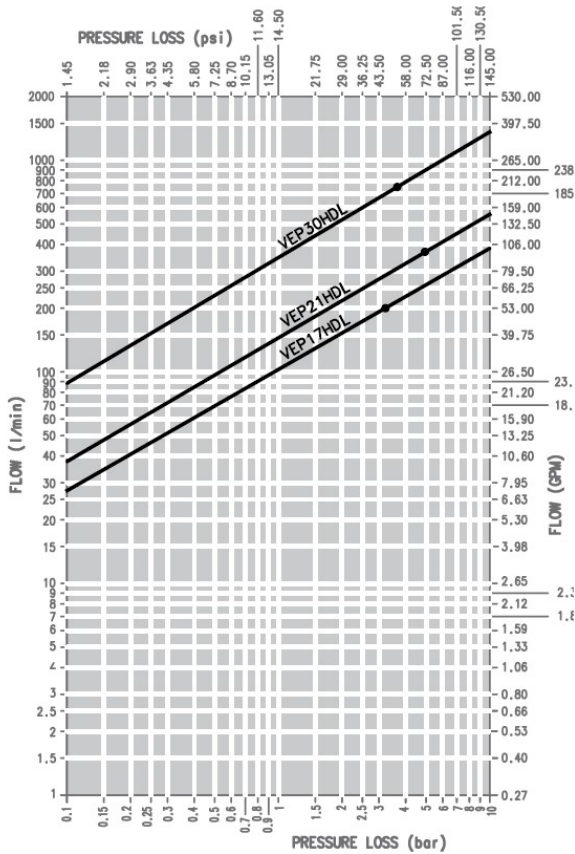
- Size range: 3/4" thru 1 1/4"
- Port options: NPT, SAE, Code 62 Flange Ports
- Interchanges with VEPHD, VEP
- Connect/disconnect up to 25 MPa/3625 psi residual pressure
- Working pressure: 40-50 MPa/5800-7975 psi range
- Locking heavy duty series with visual connection indicator
- Failsafe leak-free connection

APPLICATIONS

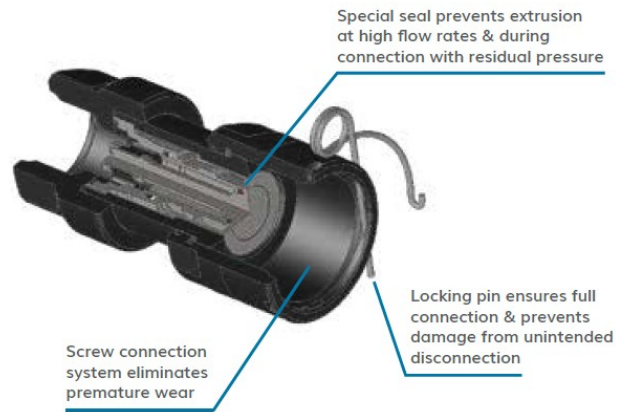
- Most demanding hydraulic applications: high pressure, high impulse
- Heavy duty applications where vibrations and torsion are present
- Mobile excavation and construction: backhoes, loaders, excavators
- Anywhere failsafe connection is critical



Pressure Drop



OIL = ISO VG32, TEMP = 40C, VISCOSITY = 28.8-35.2 MM²/S



Performance

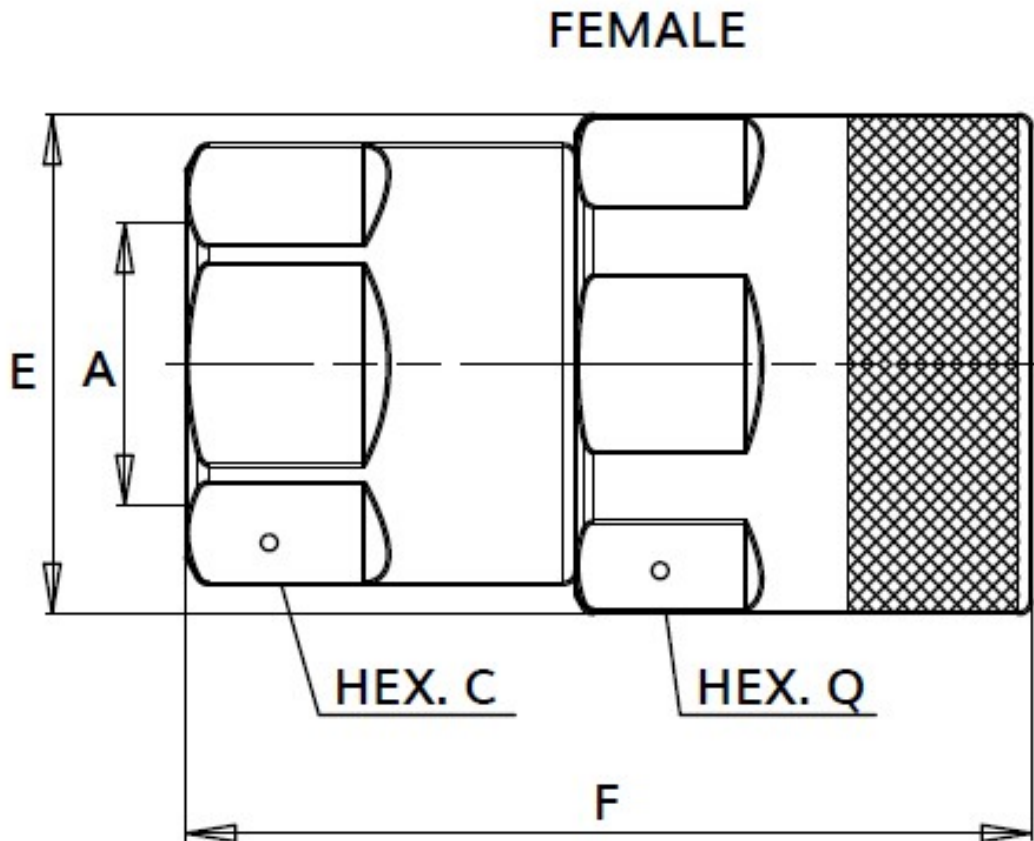
Burst Pressure											
Description	Port Type	Size	Max Operating Pressure Coupled		COUPLED		MALE		FEMALE		Spillage *
			MPa	psi	MPa	psi	MPa	psi	MPa	psi	
VEPHDL FLANGE PORT											
VEP17HDL	FLANGE	1	42	6091	165	24000	165	24000	100	14500	0.018
VEP21HDL	FLANGE	1 1/4	42	6091	165	24000	165	24000	80	11600	0.060
VEP30HDL	FLANGE	1 1/2	42	6091	165	24000	165	24000	80	11600	0.200

VEPHDL NPT / SAE

VEP17HDL	NPT/SAE	1	50	7250	125	18125	125	18125	100	14500	0.018
VEP21HDL	NPT/SAE	1 1/4	47	6815	120	17400	120	17400	100	14500	0.060
VEP30HDL	NPT/SAE	1 1/2	40	5800	110	15950	110	15950	80	11600	0.200

* Spillage is an indicative value of the fluid loss per couple-uncouple cycle.

Size Diagram



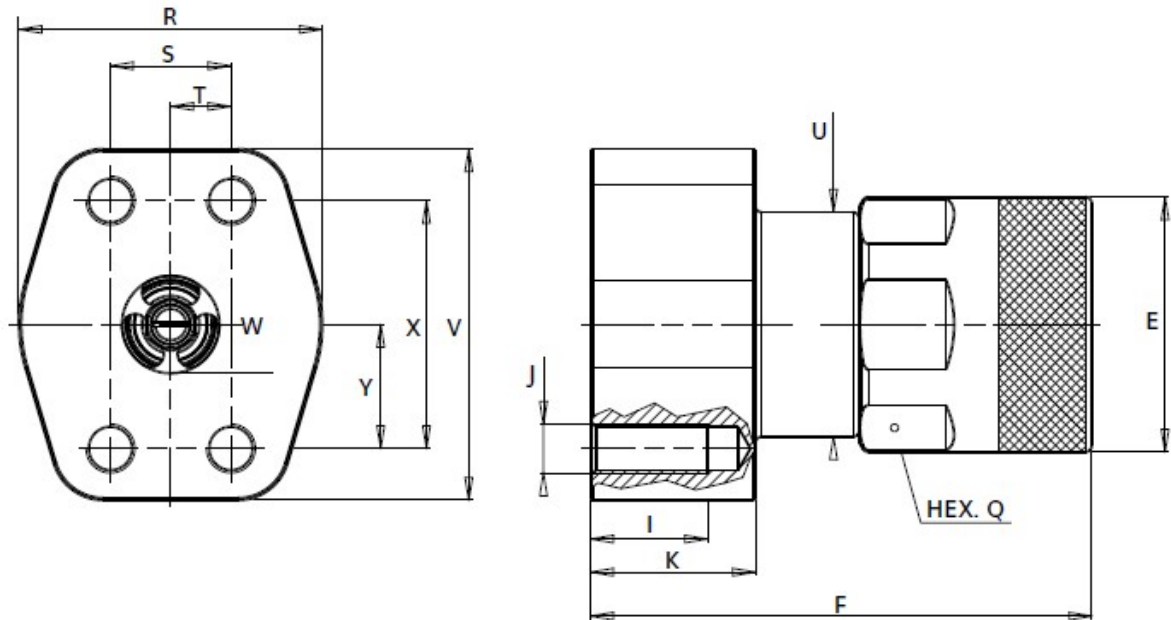
DESC.	BODY SIZE	A	UNIT	C	D	F	Q	WEIGHT	
								UNIT	FEMALE
VEP17HDL	1	3/1	mm	46	58.8	99.7	55	kg	1.350
			inch	1.81	2.31	3.93	2.17	lb	2.98
VEP17HDL	1	1	mm	46	58.8	99.7	55	kg	1.300
			inch	1.81	2.31	3.93	2.17	lb	2.87
VEP21HDL	1 1/4	1	mm	55	69.8	106.8	65	kg	1.890

									WEIGHT
DESC.	BODY SIZE	A	UNIT	C	D	F	Q	UNIT	FEMALE
			inch	2.17	2.75	4.20	2.56	lb	4.17
VEP21HDL	1 1/4	1 1/4	mm	55	69.8	106.8	65	kg	1.790
			inch	2.17	2.75	4.20	2.56	lb	3.95
VEP30HDL	1 1/2	1 1/4	mm	65	95	133.5	85	kg	3.40
			inch	2.56	3.74	5.26	3.35	lb	7.50
VEP30HDL	1 1/2	1 1/2	mm	65	95	133.5	85	kg	3.30
			inch	2.56	3.74	5.26	3.35	lb	7.28

VEPHDL NPT and SAE Thread, Flange Ports

PART	BODY SIZE	PORT SIZE	THREAD TYPE	BOLT SIZE FP	ITEM CODE	DESCRIPTION
COUPLER	3/4	3/4	NPT	–	810901006	F. VEP15HDL 3/4 NPT
COUPLER	3/4	3/4	SAE	–	810904006	F. VEP15HDL 3/4 SAE
COUPLER	1	1	NPT	–	810901004	F. VEP17HDL 1 NPT
COUPLER	1	1	SAE	–	810904004	F. VEP17HDL 1 SAE
COUPLER	1 1/4	1 1/4	BSP	–	810900008	F. VEP21HDL 1 1/4 BSP
COUPLER	1 1/4	1 1/4	NPT	–	810901000	F. VEP21HDL 1 1/4 NPT
COUPLER	1 1/4	1 1/4	SAE	–	810904000	F. VEP21HDL 1 1/4 SAE
COUPLER	1 1/4	1 1/4	FH	–	810924002	F. VEP21HDL 1 1/4 FH CODE 62
COUPLER	1 1/4	1 1/4	FPM	M12	810924004	F. VEP21HDL 1 1/4 FPM CODE 62
COUPLER	1 1/4	1 1/4	FPU	1/2 – 13UNC	810924012	F. VEP21HDL 1 1/4 FPU CODE 62
COUPLER	1 1/2	1 1/2	NPT	–	810901002	F. VEP30HDL 1 1/2 NPT
COUPLER	1 1/2	1 1/2	SAE	–	810904002	F. VEP30HDL 1 1/2 SAE
COUPLER	1 1/2	1 1/2	FPU	5/8 – 11UNC	810924008	F. VEP30HDL 1 1/2 FPU CODE 62
COUPLER	1 1/2	1 1/2	FH	–	810924010	F. VEP30HDL 1 1/2 FH CODE 62
COUPLER	1 1/2	1 1/4	FH	–	810924038	F. VEP30HDL 1 1/4 FH CODE 62

Size Diagram VEPHD Flange Pad



DESCRIPTION	UNIT	F	R	S	T	U	V	W	X	Y	Z	WEIGHT FEMALE
VEP17HDL 1	mm	115.7	70	27.8	13.9	51.8	81.05	22.5	57.2	28.6	kg	2.34
FPU CODE 62	inch	4.56	2.76	1.09	0.55	2.04	3.19	0.89	2.25	1.13	lb	5.15
VEP21HDL 1	mm	116.8	70	27.8	13.9	68	81.05	22.5	57.2	28.6	kg	2.82
FPM CODE 62	inch	4.6	2.76	1.09	0.55	2.68	3.19	0.89	2.25	1.13	lb	6.2
VEP21HDL 1 1/4	mm	115.8	78	31.8	15.9	68	95.25	25.6	66.6	33.3	kg	3.29
FPU CODE 62	inch	4.57	3.07	1.25	0.63	2.68	3.75	1.01	2.62	1.31	lb	7.24
VEP30HDL 1 1/4	mm	148.5	78	31.8	15.9	89	95.25	32	66.6	33.3	kg	5.68
FPU CODE 62	inch	5.85	3.07	1.25	0.63	3.5	3.75	1.26	2.62	1.31	lb	12.5
VEP30HDL 1 1/4	mm	148.5	78	31.8	15.9	89	95.25	32	66.6	33.3	kg	5.68
FPM CODE 62	inch	5.85	3.07	1.25	0.63	3.5	3.75	1.26	2.62	1.31	lb	12.5
VEP30HDL 1 1/2	mm	156.6	95	36.5	18.25	89	112.8	35	79.3	39.65	kg	6.91
FPU CODE 62	inch	6.16	3.74	1.44	0.72	3.5	4.44	1.38	3.12	1.56	lb	15.2

Replacement Lock Pin

SIZE	ORDER CODE	DESCRIPTION
3/4	815701236	VEPHDL 15 LOCK PIN
1	815701236	VEPHDL 17 LOCK PIN
1 1/4	815701187	VEPHDL 21 LOCK PIN

SIZE	ORDER CODE	DESCRIPTION
1 1/2	815701188	VEPHDL 30 LOCK PIN

ADDITIONAL INFORMATION

Body Size	<u>3/4", 1", 1 1/4"</u>
Port Options	<u>Flange, NPT, SAE</u>
Port Size	<u>3/4", 1", 1 1/4", 1 1/2"</u>
Valve Style	<u>Flat Face</u>
Working Pressure	<u>5000-9000</u>
Material	<u>Carbon</u>

Related products

•



WING STYLE SERIES

The Wing Style Series Rugged Wing Nut provides reliable service wherever a coupling is required to connect under pressure with minimum spillage and air inclusion.

[Read more](#)

•



AG INTERCHANGE IR | IRV | IRS SERIES

The Agriculture IR Series Hydraulic Quick Couplings offer automatic shut-off during disconnection. The IR features a variety of connection mechanisms: ball (IR), poppet (IRV), push pull (IRS) or push pull sleeve connectable under residual pressure (IRS PC). Poppet or flat-face are recommended for new applications.

[Read more](#)

•



Dust Caps & Repair Kits

Protective caps and plugs are useful accessories that prevent damaging dust, water or mud from entering the quick couplings, thus lengthening their working lives. Repair kits are available upon request.

[Read more](#)



A-PREMIER SERIES

The A Premier Series Flat Face ISO 16028 Interchange Couplings offer higher pressure ratings, superior flow characteristics, and lower pressure drops compared to FIRG Series or competitors' products. Specifically designed for applications needing no-leak performance and the ideal solution for limiting contamination in hydraulic circuits, the non-spill design avoids fluid loss during connection and disconnection. The A Premier is also available in an international version, with British BSP or German DIN port options.

[Read more](#)