



I-IP SERIES

The **I-IP Series** is an extension of **ISO A style couplings**, popular worldwide for its versatile interchangeability. This ISO interchange coupler features a push pull mounting feature and a nipple with a modular port design that allows for a range of port options.

Category: [Poppet Interchange Couplers](#) Tags: [Industry: Agricultural](#), [Industry: Industrial](#), [Industry: Mobile](#)

-
- [Description](#)
 - [Quick Specs](#)

DESCRIPTION

FEATURES

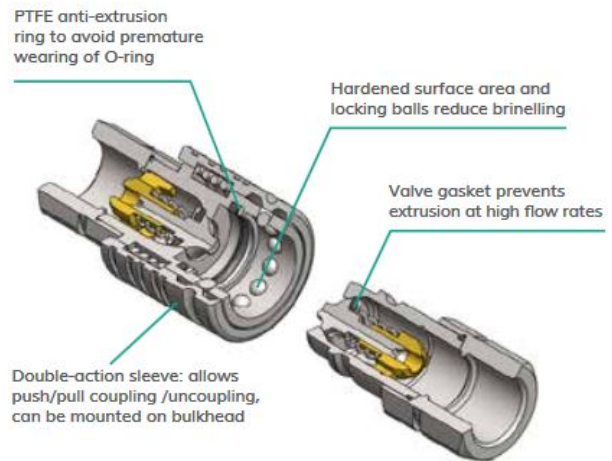
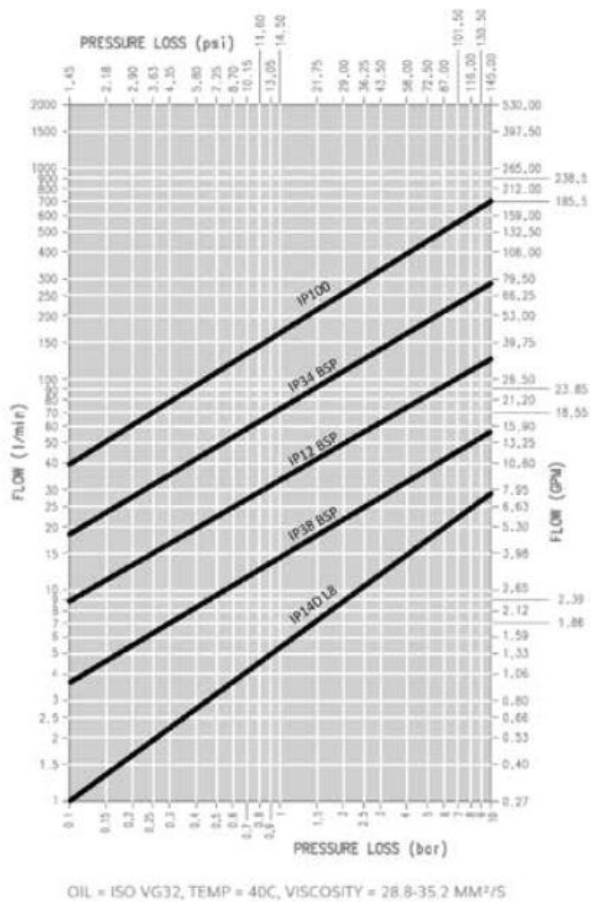
- Size range: 1/4" thru 1"
- Port options: NPT, SAE, BSP, DIN
- Interchanges with Faster CPV–CPN, Parker 4200
- Working pressure: 25-35 MPa/3571-5076 psi range
- Poppet valve shut-off system
- Push pull mounting feature

APPLICATIONS

- Anywhere quick-release push pull connection is required
- Suitable for flexible hose connection
- Agricultural, mobile construction and industrial plants



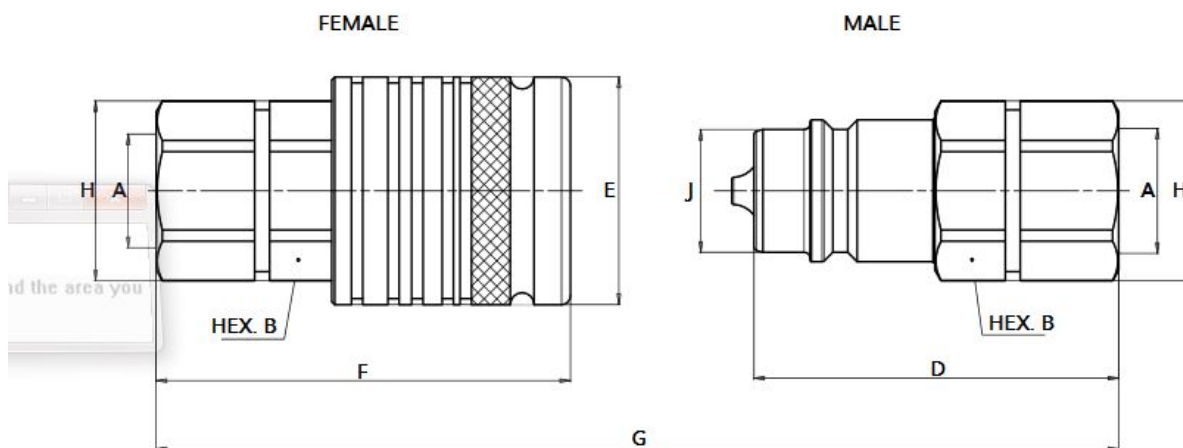
Pressure Drop



DESCRIPTION	SIZE	ISO SIZE	MAX. OPERATING PRESSURE COUPLED		SPILLAGE*
			MPa	psi	ml
I-IP14	1/4	–	35	5076	0.70
I-IP38	3/8	10.0	31.5	4568	1.20
I-IP12	1/2	12.5	25	3571	2.10

I-IP34	3/4	20.0	25	3571	5.20
I-IP100	1	25.0	25	3571	9

Size Diagram



IP38/I38	3/8	3/8	mm	22	48.3	32	66.5	24	24
			inch	0.87	1.9	1.26	2.62	0.94	0.94
IP12/I12	1/2	1/2	mm	27	61.1	38	69.4	30	30
			inch	1.06	2.41	1.5	2.73	1.18	1.18
IP34/I34	3/4	3/4	mm	36	61	46	88	40	40
			inch	1.42	2.4	1.81	3.46	1.57	1.57
IP100/I100	1	1	mm	41	73	54	107	45	45
			inch	1.61	2.87	2.13	4.21	1.77	1.77

I-IP Series BSP and NPT Thread Poppet Style Interchange Coupling

PART	BODY SIZE	PORT SIZE	THREAD TYPE	ORDER CODE	DESCRIPTION
------	-----------	-----------	-------------	------------	-------------

I-IP BSP & NPT THREAD

COUPLER	3/8	1/4	BSP	809400008	INN. F. IP 38 1/4 BSP
NIPPLE	3/8	1/4	BSP	809400009	M. I 38 1/4 BSP
COUPLER	3/8	3/8	BSP	809400010	INN. F. IP 38 3/8 BSP
NIPPLE	3/8	3/8	BSP	809400011	M. I 38 3/8 BSP
COUPLER	3/8	3/8	MALE BSP	809400012	F. IP 38 3/8 BSP EST DIN3852
NIPPLE	3/8	3/8	MALE BSP	809400013	M. I 38 3/8 BSP EST DIN3852
COUPLER	1/2	1/2	BSP	809400000	F. IP 12 1/2 BSP
NIPPLE	1/2	1/2	BSP	809400001	M. I 12GS 1/2 BSP
COUPLER	1/2	1/2	MALE BSP	809400002	F. IP 12 1/2 BSP EST
NIPPLE	1/2	1/2	MALE BSP	809400003	M. I 12GS 1/2 BSP EST
COUPLER	1/2	3/8	BSP	809400004	F. IP 12 3/8 BSP
NIPPLE	1/2	3/8	BSP	809400005	M. I 12GS 3/8 BSP
NIPPLE	1/2	3/8	MALE BSP	809400007	M. I 12GS 3/8 BSP EST
COUPLER	1/2	1/2	NPT	809401000	F. IP 12 1/2 NPT
NIPPLE	1/2	1/2	NPT	809401001	M. I 12GS 1/2 NPT
COUPLER	3/4	3/4	BSP	809400014	F. I 34 3/4 BSP
NIPPLE	3/4	3/4	BSP	809400015	M. I 34 3/4 BSP
NIPPLE	3/4	3/4	NPT	809401003	M. I 34 3/4 NPT
COUPLER	1	3/4	BSP	809400016	F. IP 100 3/4 BSP
NIPPLE	1	3/4	BSP	809400017	M. I 100 3/4 BSP
COUPLER	1	1	BSP	809400018	F. IP 100 1 BSP
NIPPLE	1	1	BSP	809400019	M. I 100 1 BSP

ADDITIONAL INFORMATION

Body Size	<u>1/4"</u> , <u>3/8"</u> , <u>1/2"</u> , <u>5/8"</u> , <u>3/4"</u> , <u>1"</u>
Port Options	<u>BSP</u> , <u>DIN</u> , <u>NPT</u> , <u>SAE</u>
Port Size	<u>1/4"</u> , <u>3/8"</u> , <u>1/2"</u> , <u>5/8"</u> , <u>3/4"</u> , <u>1"</u>
Valve Style	<u>Poppet</u>
Working Pressure	<u>Up to 5000</u>

Related products

•



DP PLATE SERIES

The DP Series of Multi-Coupling Plates allows the simultaneous couple and uncouple of two to four hydraulic and/or electrical lines with a single, simple movement requiring very little force. The circuit lines can all have the same coupler nominal diameter and different media. A dust cap is supplied, and options include: an electrical connector for low voltage requirements and a parking station.

[Read more](#)

•



AG INTERCHANGE IR | IRV | IRS SERIES

The **Agriculture IR Series Hydraulic Quick Couplings** offer automatic shut-off during disconnection. The IR features a variety of connection mechanisms: ball (IR), poppet (IRV), push pull (IRS) or push pull sleeve connectable under residual pressure (IRS PC). Poppet or flat-face are recommended for new applications.

[Read more](#)

•



IRB | IRBO | IRBX SERIES

The **IRB Series Quick Couplings** are interchangeable to ISO B standard (ISO 7241-B). The IRB is offered in three different high quality materials to meet different application challenges—IRB carbon steel with Nitrile seals, IRBO brass with Viton seals, and IRBX 316 stainless steel with Viton seals. The entire series features compact design, AISI 302 stainless steel springs, and PTFE anti-extrusion rings.

[Read more](#)

•



VEPHD SERIES

The VEPHD (Heavy Duty) Series offers the same features of the VEP series, with upgraded material, a yellow o-ring visual ID, and larger mating areas. Like the VEP, the VEPHD is a popular solution for hydraulic circuit applications subject to high pressure impulses and circuits which experience high residual or trapped pressure in a line, offered in a more durable, higher grade of steel and all QPQ plating for increased longevity.

[Read more](#)