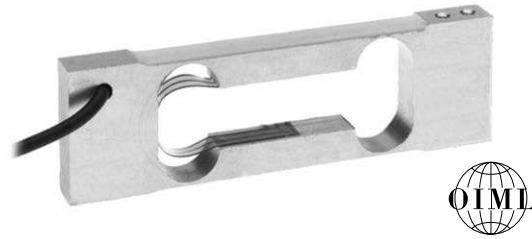


## Aluminum Single-Point Load Cell

### FEATURES

- Capacities 0.3–3 kg
- Aluminum construction
- Single-point 200 × 200 mm platform
- IP66 protection
- Total error better than 0.0067% of R.O.
- OIML C3 and C6 approved



### APPLICATIONS

- Low capacity scales
- Precision scales
- Jewelry scales
- Pharmaceutical scales

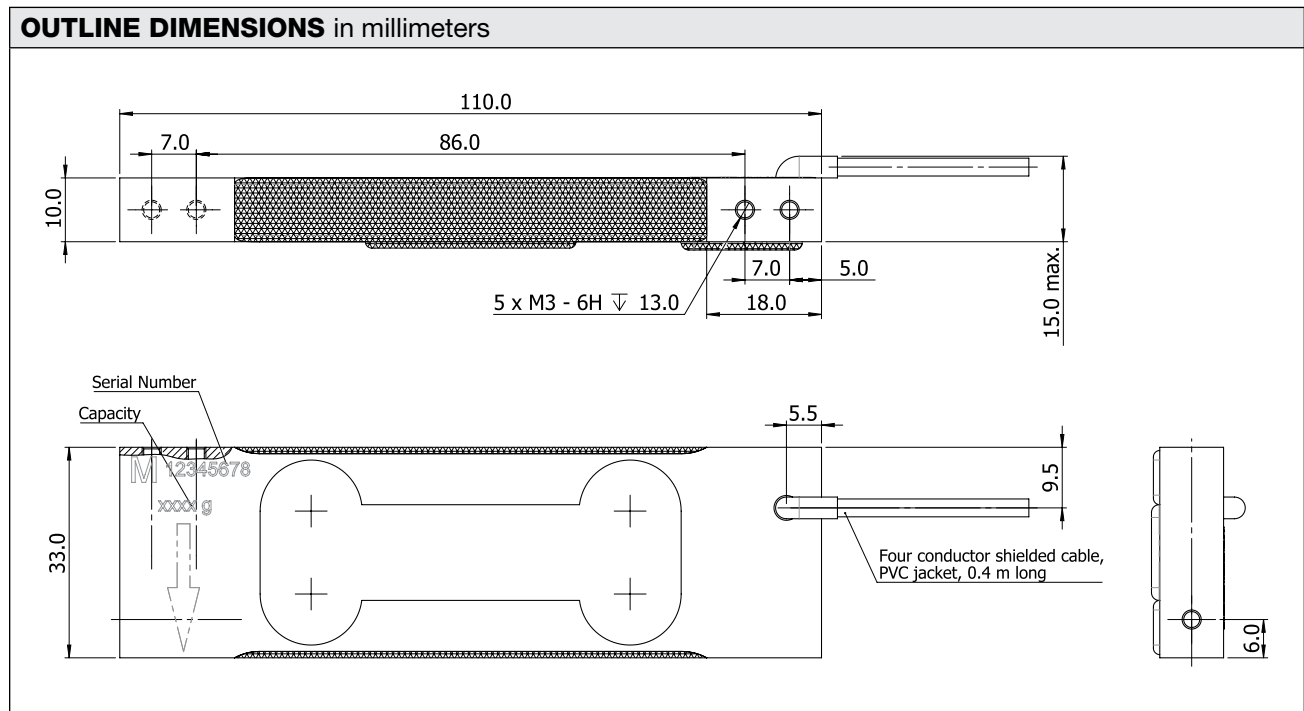
analytical balances, medical equipment, medical and pharmaceutical research, and low-level force measurement.

The Model 1004 offers up to 30,000 divisions of short-term precision at a stable room temperature. A special two-stage humidity resistant protective coating assures long-term reliability

### DESCRIPTION

The Model 1004 is a very low capacity, very high precision single-point load cell designed for direct mounting in low capacity scales and precision balances. This load cell is suitable for applications including jewelry scales,

An overload protection device can be easily included in the application design. A threaded hole is provided in the loading end of the load cell for this purpose.



## Aluminum Single-Point Load Cell

SPECIFICATIONS				
PARAMETER	VALUE			UNIT
Accuracy type designation	<b>G8</b>	<b>G6</b>	<b>J8</b>	
OIML Accuracy class	C3	C3	C6MR10	
Minimum utilization	85	60	80	%
$Y=E_{max}/V_{min}$	3500	5000	7500	
Maximum number of intervals	3000	3000	6000	
Rated capacity—R.C. ( $E_{max}$ )	0.3	0.6, 1.0, 1.2, 1.5, 2.0, 3.0	0.6, 1.0, 1.2, 1.5, 2.0, 3.0	kg
Rated output—R.O.	0.9			mV/V
Rated output tolerance	0.10			±mV/V
Zero balance	0.04	0.05	0.05	±mV/V
Total Cell Error per OIML R60	0.02	0.02	0.010	±% of R.O.
Creep, 30 minutes	0.0245	0.0245	0.013	±% of load
Zero return, 30 minutes	0.017	0.017	0.0083	±% of load
Temperature effect on zero	0.004	0.004	0.0014	±% of R.O./°C
Temperature effect on output	0.001	0.001	0.00058	±% of load/°C
Eccentric loading error	0.0033	0.0033	0.0024	±% of load/°cm
Temperature range, compensated	+5 to +40	-10 to +40	-10 to +40	°C
Temperature range, operating	-20 to +65			°C
Temperature range, storage	-30 to +80			°C
Maximum safe static overload	150			% of R.C
Ultimate static overload	200			% of R.C
Excitation, recommended	10			VDC or VAC RMS
Excitation range	5 to 15			VDC or VAC RMS
Input impedance	350 to 450			Ω
Output impedance	349 to 370			Ω
Insulation resistance	>2000			MΩ
Cable length	0.4			m
Weight (nominal)	0.06			kg
Cable type	4 conductors , 28 AWG, floating Spiral braid shielded, PVC jacket			
Color code	+Exc: Green, +Sig: Red, -Exc: Black, -Sig: White			
Construction	Aluminum			
Environmental protection	IP66			
Maximum recommended plat. size	200 × 200			mm

All specifications are subject to change without notice.



## Disclaimer

ALL PRODUCTS, PRODUCT SPECIFICATIONS AND DATA ARE SUBJECT TO CHANGE WITHOUT NOTICE.

Vishay Precision Group, Inc., its affiliates, agents, and employees, and all persons acting on its or their behalf (collectively, "VPG"), disclaim any and all liability for any errors, inaccuracies or incompleteness contained herein or in any other disclosure relating to any product.

The product specifications do not expand or otherwise modify VPG's terms and conditions of purchase, including but not limited to, the warranty expressed therein.

VPG makes no warranty, representation or guarantee other than as set forth in the terms and conditions of purchase. **To the maximum extent permitted by applicable law, VPG disclaims (i) any and all liability arising out of the application or use of any product, (ii) any and all liability, including without limitation special, consequential or incidental damages, and (iii) any and all implied warranties, including warranties of fitness for particular purpose, non-infringement and merchantability.**

Information provided in datasheets and/or specifications may vary from actual results in different applications and performance may vary over time. Statements regarding the suitability of products for certain types of applications are based on VPG's knowledge of typical requirements that are often placed on VPG products. It is the customer's responsibility to validate that a particular product with the properties described in the product specification is suitable for use in a particular application. You should ensure you have the current version of the relevant information by contacting VPG prior to performing installation or use of the product, such as on our website at [vpgsensors.com](http://vpgsensors.com).

No license, express, implied, or otherwise, to any intellectual property rights is granted by this document, or by any conduct of VPG.

The products shown herein are not designed for use in life-saving or life-sustaining applications unless otherwise expressly indicated. Customers using or selling VPG products not expressly indicated for use in such applications do so entirely at their own risk and agree to fully indemnify VPG for any damages arising or resulting from such use or sale. Please contact authorized VPG personnel to obtain written terms and conditions regarding products designed for such applications.

Product names and markings noted herein may be trademarks of their respective owners.

Copyright Vishay Precision Group, Inc., 2014. All rights reserved.