



Ex position switch with safety function

Ex ES 98-11 -40°C

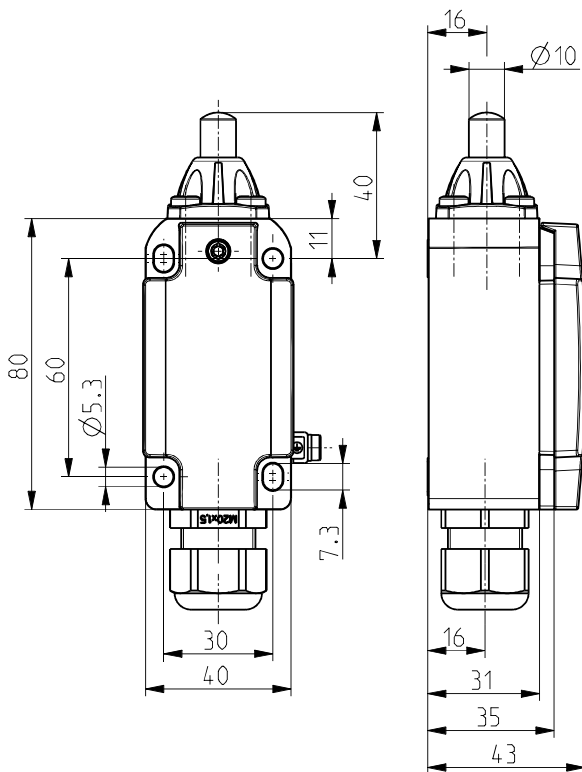
Material number: 1387893

Features/Options:

- Ex zone 1 and 21
- Cold-resistant down to -40 °C
- Metal enclosure
- Design to EN 50041
- Wiring compartment

- Actuator: Plunger
- Actuator type B to EN 50041
- Actuating speed max. 0.5 m/s with a vertical actuating angle of 0°
- N.B.: Please state required international approvals with your order!

Dimensions



Technical data

Standards	EN 60947-5-1; EN 60079-0, EN 60079-1, EN 60079-7, EN 60079-31; EN ISO 13849-1; EN ISO 14119
Enclosure	Corrosion-resistant aluminium, powder-coated, similar to RAL 7016
Cover	Stainless steel 1.4401, powder-coated, similar to RAL 1003
Switch type	type 1
Coding level	no coding
Degree of protection	IP 66 to IEC/EN 60529
Contact material	silver
Switching system	slow action, positive break NC contacts \ominus
Switching elements	1 NC/1 NO contact, type Zb
Connection	screw connection terminals, min. 0,75 mm ² AWG 18, max. 1,5 mm ² AWG 16, incl. conductor ferrules
Cable entry	1 x M20 x 1.5 for cable diameter 5 ... 9 mm
B _{10d} (10 % Load)	2 million
T _M	max. 20 years
U _{imp}	4 kV
U _i	250 V
I _e	max. 4.4 A T6 / max. 6.6 A T5
U _e	max. 250 VAC; 125 VDC
Utilisation category	AC-15; DC-13
Max. fuse rating	6 A gG/gN fuse
Ambient temperature	T6: -40° C ... +70° C (max. 4.4 A) T5: -40° C ... +70° C (max. 6.6 A)



Ex position switch with safety function

Ex ES 98-11 -40°C

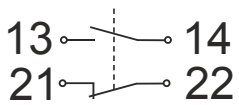
Material number: 1387893

Technical data

Mechanical life	> 1 million operations
Operation cycles	1800/h
Repeat accuracy of switching points	± 0.1 mm
Impact energy	max. 7 J
Ex marking	<p>⊕ II 2G Ex de IIC T6/T5 Gb, ⊕ II 2D Ex tb IIIC T80 °C/T95 °C Db IECEX Ex de IIC T6/T5 Gb, Ex tb IIIC T80 °C/T95 °C Db</p>
Approvals	DMT 01 ATEX E 178 IECEX BVS 07.0014



Contact diagram



Switching diagram

