
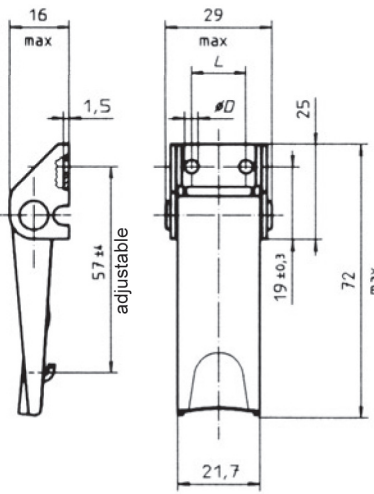

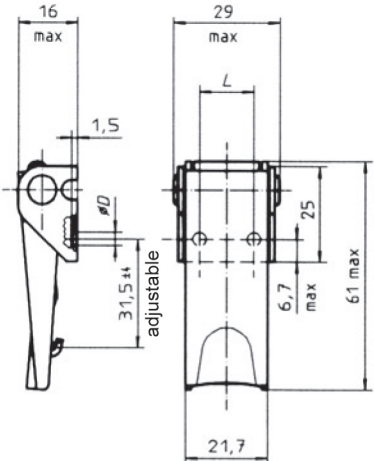


Max. tensile strength 2.300 N

Adjustable drawhook

Available with secondary lock and hasp

Style	Dimensions	Materials / Finish	Mounting Type <sup>1)</sup>	D	L	Part No.
<b>Open base</b>  		Steel / zinc-plated, CrVI-free, transparent passivated <sup>2)</sup>	N	3,6	14,3	<b>V951L02-1-1AGV</b>
		Steel / zinc-plated, CrVI-free, transparent passivated <sup>2)</sup>	N	4,2	12,7	<b>V951L02-1-5AGV</b>
		Steel / zinc-plated, CrVI-free, transparent passivated Base: Steel / zinc-plated <sup>2)</sup>	S	-	-	<b>V951L02-1-2AGV</b>
		Steel / chrome-plated Interior parts: Steel / zinc-plated, CrVI-free, transparent passivated <sup>2)</sup>	N	3,6	14,3	<b>V951L02-1-1AD</b>
		Stainless steel <sup>3)</sup>	N	3,6	14,3	<b>V951L02-1-1BP</b>
		Stainless steel <sup>3)</sup>	N	4,2	12,7	<b>V951L02-1-5BP</b>
		Stainless steel <sup>3)</sup>	S	-	-	<b>V951L02-1-2BP</b>
<b>Concealed base <sup>4)</sup></b>  		Steel / zinc-plated, CrVI-free, transparent passivated	N	3,6	14,3	<b>V951L03-1-1AGV</b>
		Steel / zinc-plated, CrVI-free, transparent passivated	N	4,2	12,7	<b>V951L03-1-5AGV</b>
		Steel / chrome-plated Interior parts: Steel / zinc-plated, CrVI-free, transparent passivated	N	3,6	14,3	<b>V951L03-1-1AD</b>
		Stainless steel	N	3,6	14,3	<b>V951L03-1-1BP</b>
		Stainless steel	N	4,2	12,7	<b>V951L03-1-5BP</b>

<sup>1)</sup> Mounting type: N = With holes for riveting or screwing  
S = Without holes, for welding


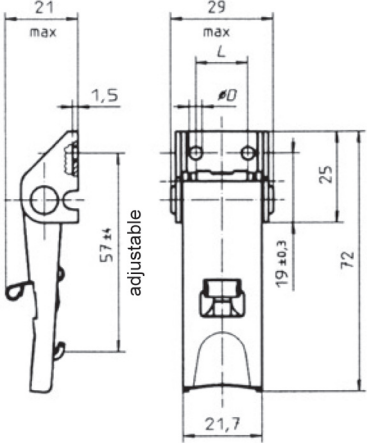

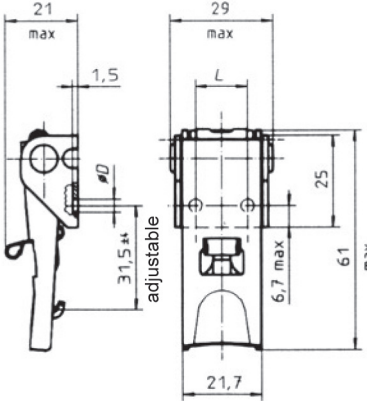
<sup>2)</sup> Max. tensile strength: 2.300 N with V951L07-\*A\* and V951L52-1AF strike  
2.000 N with V951L50-1A\* strike

<sup>3)</sup> Max. tensile strength: 1.500 N with V951L07-\*BP\* and V951L52-1BP strike

<sup>4)</sup> Due to the mounting geometry, tensile strength reduced to approx. 1200 N

# V951L Series Tension Latch


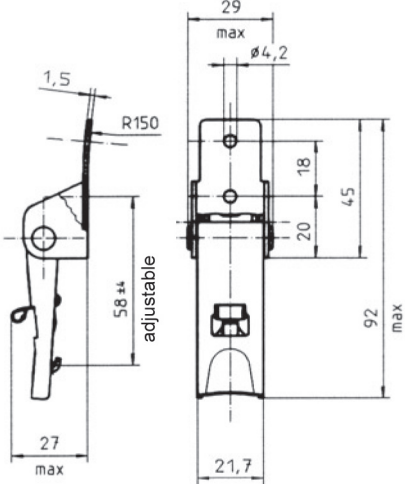

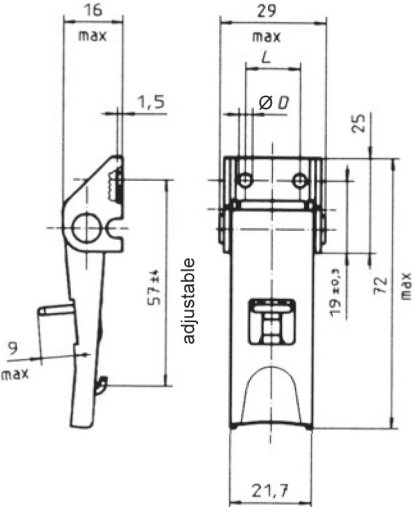


Style	Dimensions	Materials / Finish	Mounting Type <sup>1)</sup>	D	L	Part No.
<b>With secondary lock, open base</b>  		Steel / zinc-plated, CrVI-free, transparent passivated <sup>2)</sup>	N	3,6	14,3	<b>V951L04-1X1AGV</b>
		Steel / zinc-plated, CrVI-free, transparent passivated <sup>2)</sup>	N	4,2	12,7	<b>V951L04-1X5AGV</b>
		Steel / chrome-plated Interior parts: Steel / zinc-plated, CrVI-free, transparent passivated Secondary lock: Stainless steel	N	3,6	14,3	<b>V951L04-1X1AD</b>
		Stainless steel <sup>3)</sup>	N	3,6	14,3	<b>V951L04-1X1BP</b>
		Stainless steel <sup>3)</sup>	N	4,2	12,7	<b>V951L04-1X5BP</b>
Stainless steel <sup>3)</sup>	S	-	-	<b>V951L04-1X2BP</b>		
<b>With secondary lock, concealed base 4)</b>  		Steel / zinc-plated, CrVI-free, transparent passivated	N	4,2	12,7	<b>V951L03-1X5AGV</b>
		Steel / chrome-plated Interior parts: Steel / zinc-plated, CrVI-free, transparent passivated Secondary lock: Stainless steel	N	3,6	14,3	<b>V951L03-1X1AD</b>
		Stainless steel	N	3,6	14,3	<b>V951L03-1X1BP</b>
Stainless steel	N	4,2	12,7	<b>V951L03-1X5BP</b>		

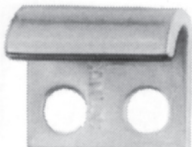
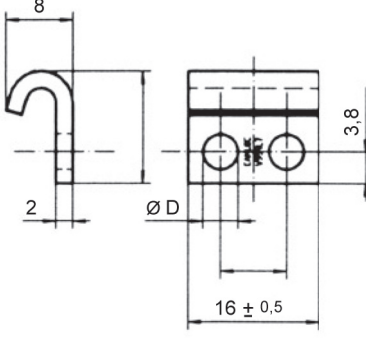

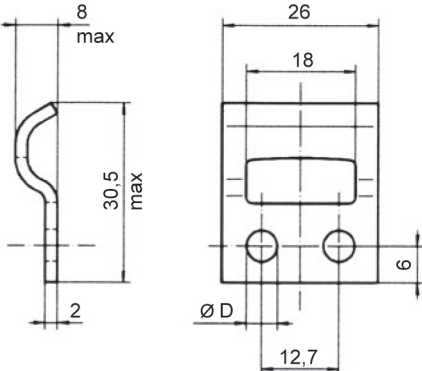

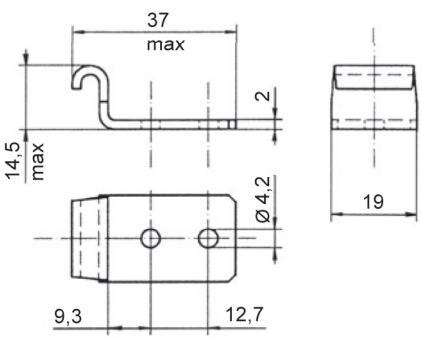
For footnotes refer to page 14

# V951L Series Tension Latch



Style	Dimensions	Materials / Finish	Mounting Type <sup>1)</sup>	D	Part No.
<b>With secondary lock, high base</b>  		Steel / zinc-plated, CrVI-free, transparent passivated Secondary lock: Stainless steel <sup>2)</sup>	N	4,2	<b>V951L05-1X1AGV</b>
		Stainless steel <sup>3)</sup>	N	4,2	<b>V951L05-1X1BP</b>
<b>With hasp</b>  	 <p style="text-align: center;">Hasp for Padlock Ø 6 max.</p>	Steel / zinc-plated, CrVI-free, transparent passivated <sup>2)</sup> Base: Steel / zinc-plated	S	-	<b>V951L01-1Y2AGV</b>
		Steel / zinc-plated, CrVI-free, transparent passivated <sup>2)</sup>	N	4,2	<b>V951L01-1Y5AGV</b>

For footnotes refer to page 14

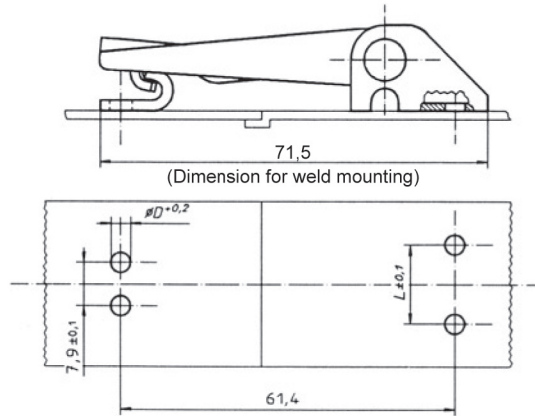
Style	Dimensions	Materials / Finish	Mounting Type <sup>1)</sup>	D	Part No.
<b>Short type</b>  		Steel / zinc-plated, CrVI-free, transparent passivated	N	3,6	<b>V951L7-1AGV</b>
		Steel / zinc-plated, CrVI-free, transparent passivated	N	4,2	<b>V951L7-5AGV</b>
		Steel / zinc-plated	S <sup>2)</sup>	-	<b>V951L7-2AZ</b>
		Steel / chrome-plated	N	3,6	<b>V951L7-1AD</b>
		Stainless steel	N	3,6	<b>V951L7-1BP</b>
		Stainless steel	N	4,2	<b>V951L7-5BP</b>
		Stainless steel	S	-	<b>V951L7-2BP</b>
<b>With guidance</b>  		Steel / zinc-plated, CrVI-free, transparent passivated	N	4,2	<b>V951L50-1AGV</b>
		Stainless steel	N	4,2	<b>V951L50-1BP</b>
		Stainless steel	N	3,6	<b>V951L50-2BP</b>
		Stainless steel	S	-	<b>V951L50-3BP</b>
<b>Corner mounting</b>  		Steel / zinc-plated, CrVI-free, transparent passivated	N	4,2	<b>V951L52-1AGV</b>
		Stainless steel	N	4,2	<b>V951L52-1BP</b>

<sup>1)</sup> Mounting type: N = With holes for riveting or screwing  
S = Without holes, for welding

<sup>2)</sup> Material C45, HRC 36-39 steel, please use high-alloy filler metals

## Dimensions

### Open-base tension latch / short-type strike

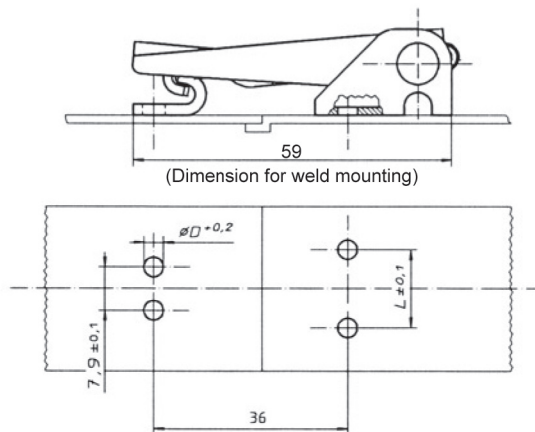


V951L02-  
V951L04-  
V951L01-

V951L7-

Select diameter D and distance L in accordance with the strike and tension latch style.

### Concealed-base tension latch / short-type strike

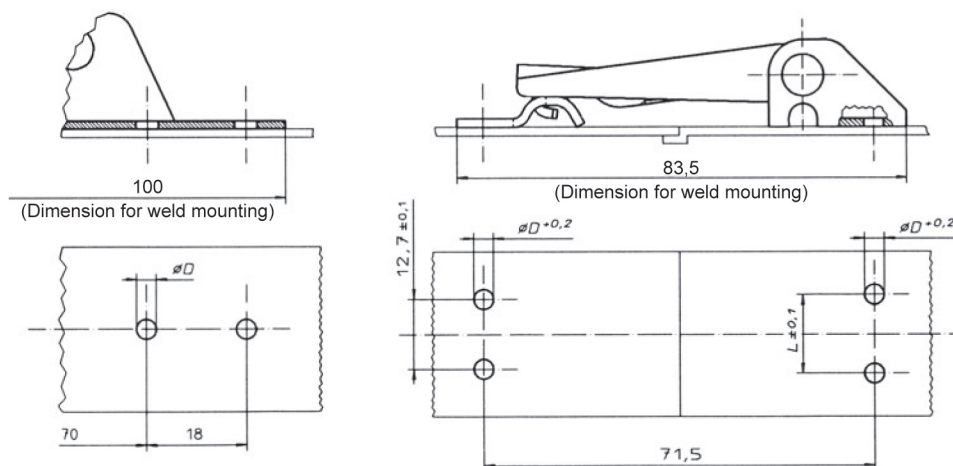


V951L03-

V951L7-

Select diameter D and distance L in accordance with the strike and tension latch style.

### Open-base tension latch / strike with guidance



V951L02-  
V951L04-  
V951L01-

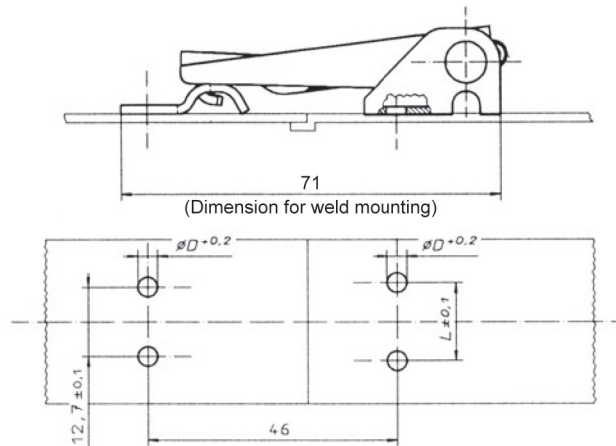
V951L50-

V951L05-

Select diameter D and distance L in accordance with the strike and tension latch style.

## Dimensions

### Concealed-base tension latch / strike with guidance

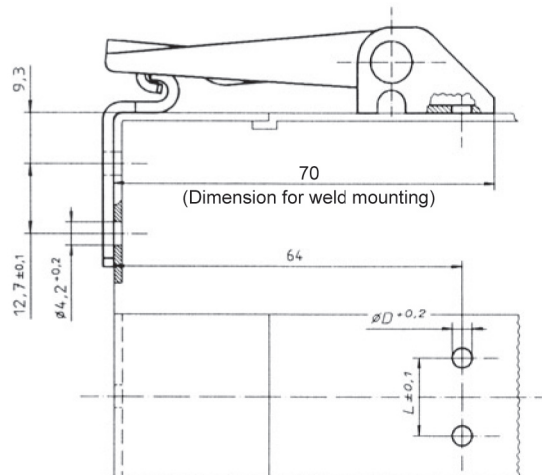


V951L03-

V951L50-

Select diameter D and distance L in accordance with the strike and tension latch style.

### Open-base tension latch / corner-mounting strike



V951L02-

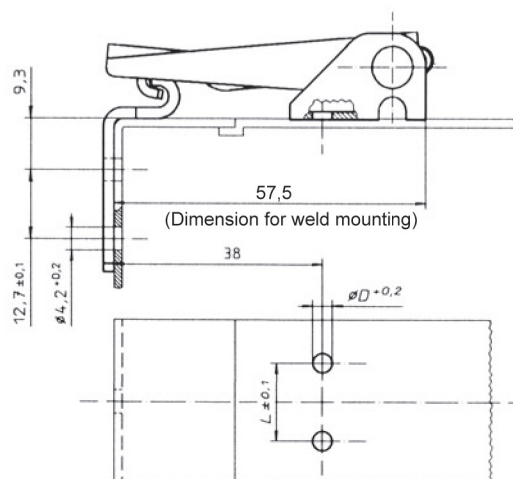
V951L04-

V951L01-

V951L52-

Select diameter D and distance L in accordance with the strike and tension latch style.

### Concealed-base tension latch / corner-mounting strike



V951L03-

V951L52-

Select diameter D and distance L in accordance with the strike and tension latch style.