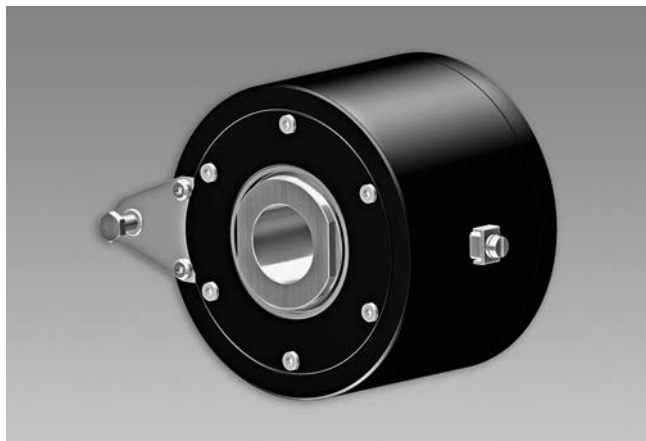


Accessories

Motor earthing unit

Motor earthing unit for through hollow shaft ATEX



Features

- For operation in potentially explosive environments, characteristic II 2 G Ex db IIC T4/T5 Gb (gas)
- EG design test certificate TÜV NORD CERT No. TÜV 02 ATEX 1920 X
- Leakage of parasitical shaft currents
- Through hollow shaft $\varnothing 20$ to $\varnothing 42$ mm

Part number

EEx ME 12 Motor earthing unit

Description

The motor earthing unit is discharging parasitical shaft currents to avoid damage of the ball bearings.

Technical data

Current load	≤ 1 A ≤ 12 A (short-term)
Operating speed	≤ 8500 rpm
Ambient temperature	-60...+50 °C (T5) -60...+60 °C (T4)
Admitted shaft load	≤ 150 N axial ≤ 200 N radial
Rotor moment of inertia	3.7 kgcm ²
Operating torque	≤ 15 Ncm
Explosion protection	II 2 G Ex db IIC T4/T5 Gb
Weight approx.	3.5 kg
Protection DIN EN 60529	IP 56
Shaft type	$\varnothing 20$...42 mm (through hollow shaft)
Material	Housing: aluminium
Resistance	IEC 60068-2-6 Vibration 10 g, 50-2000 Hz IEC 60068-2-27 Shock 100 g, 6 ms
Approvals	CE, ATEX

Accessories

Motor earthing unit

Motor earthing unit for through hollow shaft ATEX

Dimensions

