

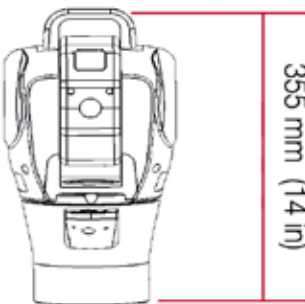


RADIAN™

Featuring INNOVO™ Technology



177 mm (7 in)



Parameter	Specification
-----------	---------------

Range of Measurements

Linear Range (Diameter): 100 m (328 ft)

Also Available:
40 m (132 ft)
160+ m (526+ ft)

System Performance

Azimuth Range: ± 320° (640° end to end)
Elevation Range: + 79° / -59°
Angular Resolution: ± 0.018 arc seconds
Angular Accuracy: 3.5 µm/m
System Resolution: 0.1 µm (0.0000039 in)
Maximum Lateral Target Speed: 6 m/sec (20 ft/sec)
Maximum Acceleration: > 2 g
Internal Level Accuracy: ±2 arc-second

Accuracy

Static Measurement (IFM): ±10 µm or 5 ppm (2 sigma)
whichever is greater

Laser

HeNe Laser (IFM): Class II (eye safe)
Resolution: 0.08 µm (0.0000031 in)
Accuracy: Better Than ±0.5 ppm

IR Laser (ADM-Maxx™): Class I (eye safe)
Resolution: 0.1 µm (0.0000039 in)
Lock-on Accuracy: ±10 µm (±0.00039 in) or 1 ppm
whichever is greater

Environmental

Operating Temperature: -10° C to > 45° C (14° F to > 113° F)
Storage Temperature: -10° C to 60° C (14° F to 140° F)
Barometric Pressure: 225 mmHg - 900 mmHg
Relative Humidity: 0-100% non-condensing
Altitude: 3000 m (9842.49 ft)

I-Vision™

Working Range: 0 - 25 m (0 - 82 ft) (typical)
Field of Vision: 30° (diagonal)

Dimensions

Tracker Weight: 9 kg (19.8 lb)
Tracker Size: 177 mm x 177 mm x 355 mm
(7 in x 7 in x 14 in)

Controller Weight: 3.2 kg (7 lb)
Controller Size: 110 mm x 160 mm x 310 mm
(4.3 in x 6.3 in x 12.2 in)