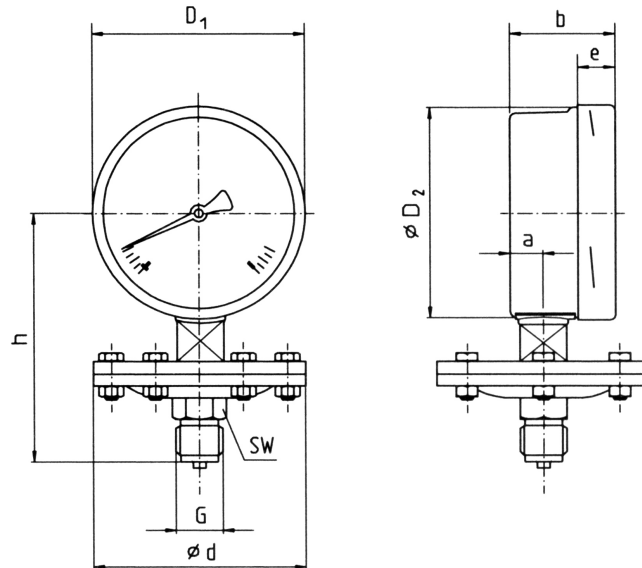


Case:	Bayonet, stainless steel AISI 304, with pressure relief - Liquid filled - Contacts
Bezel:	Bayonet, stainless steel AISI 304,
Protection class:	IP 54 per EN 60529 / IEC 529 - IP 65 with liquid filling
Dial:	Aluminium, white varnished lettering and graduation black - Red mark - Red mark pointer
Pointer:	Aluminium, black
Window:	Laminated safety glass - Red mark pointer - Max. drag pointer
Movement:	Stainless steel
Pressure element:	Upper and lower flange, stainless steel AISI 316 L Diaphragm stainless steel Diaphragm sealing ring, FPM - Special materials
Connection:	Stainless steel AISI 316 L male thread vertical entry (EN 837-1/7.3) G ½, SW 27 - With open flange
Measuring range: (EN 837-1/5)	0/0,6 bar ... 0/40 bar 0/10 mbar ... 0/400 mbar -1,0 bar -0 bar ... -1,0 bar /+24 bar
Accuracy: (EN 837-1/6)	Class 1,6 - Class 1,0
Working pressure:	Steady: 1,0 x full scale value Fluctuating: 0,9 x full scale value Short time: 5,0 x full scale value, max. 40 bar - Overload safe, 10 times, but max. 40 bar
Operating temp.:	Ambient: TMIN -20°C, TMAX +60°C Medium: TMAX +100°C - Medium safe TMAX +200°C - OPTIONS



Dimensions
 standard version



dimensions [mm]										weight [kg]	
D1	D2	a	b	e	d [0,6..40 bar]	d [10..400 mbar]	G	h ± 1	SW	d 100	d 160
100	99	15	50	17,5	100	160	½ B	129,5	27	1,8	4,0
160	159	14,5	50	17,5	100	160	½ B	168	27	2,3	4,5
250	249	16	55	17,5	100	160	½ B	209	27	3,5	5,7

Connection acc. to EN 837-1/7.3

type	432.50		
diam.	100	160	250
version			
-0,6-0	x	x	x
-1-0	8500	8520	x
-0,6+1	x	x	x
-1+0,6	x	x	x
-1+1,5	8501	8521	x
-1+3	8502	8522	x
-1+5	8503	8523	x
-1+9	8504	8524	x
-1+15	x	x	x
-1+24	x	x	x
0-0,6	8505	8525	x
0-1	8506	8526	x
0-1,6	8507	8527	x
0-2,5	8508	8528	x
0-4	8509	8529	x
0-6	8510	8530	x
0-10	8511	8531	x
0-16	8512	8532	x
0-25	8513	8533	x
0-40	x	x	x
0-10	x	x	x
0-16	x	x	x
0-25	x	x	x
0-40	8620	8630	x
0-60	8621	8631	x
0-100	8622	8632	x
0-160	8623	8633	x
0-250	8624	8634	x
0-400	8534	8535	x

Dimensions and technical data are conform to current company standard.
 Changes to improve our instruments will be made without preannouncement.