



The Minox i is a highly reliable and cost-effective two-wire, loop-powered transmitter with a linearized 4 to 20 mA output. The standard offering has a detection measurement range of 0-25% oxygen.

This compact transmitter utilizes electrochemical sensor technology and is also available with a solid state ceramic sensor, both of which provide a long sensor life with a high level of accuracy and stability.

ATEX Certified 

## Applications

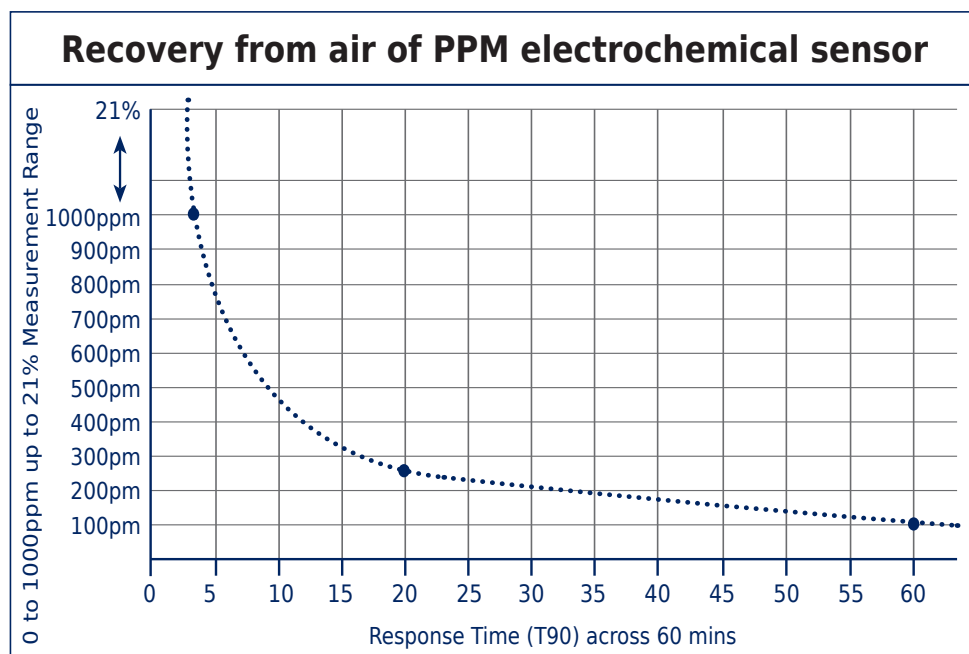
- » Nitrogen generation
- » Additive manufacturing
- » Glove box purge and leak detection
- » Pharmaceutical applications

**Plug & Play  
Technology**

## Features

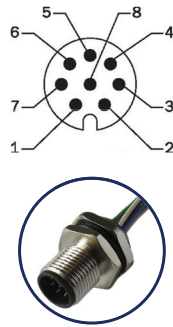
- » Electrochemical or Solid State sensor technology options
- » Measurement range 0 to 25% O<sub>2</sub>
- » 24VDC loop powered
- » M12 electrical connection
- » Choice of flowthrough, tri-clamp and KF40 flange process connections as standard
- » Combined sensor and electronics allows for ease of integration.
- » Robust device (< 0.8Kgs)
- » Stainless steel housing

Performance	
Transmitter Model	Minox i
Measurement technology	Solid state ceramic / Electrochemical (EC)
Measurement range*	0 to 25%
Output resolution ( for %)	0.01%
Accuracy	+/-2% of reading (or 2ppm O2) @ calibrated temperature and pressure
Response time (T90)	<10 seconds @ 25°C (within selected range)
LDL (Sensitivity)	0.01% (when measuring %) / 1ppm (when measuring ppm)
Temperature range	-20°C to +50°C / 0°C to +45°C
Pressure range	900 to 1100 mBar <sub>abs</sub>
Linearity	+/- 2% of reading
Life expectation	3-5 years / 1 year
Humidity	0-95% RH non-condensing
Shelf life	No shelf life
Electrical Input / Output	
Power supply	24VDC +/- 10%
Power consumption	Maximum 50mA @ 24VDC
Signal output	4-20mA
Electrical interface	M12 x 1.5 connection
Cable length	1 metre / 3 metre / 10 metre
Mechanical Specifications	
Dimensions	47mm Diameter x 120mm to 140mm depending on connection type
Weight	0.260kg
Wetted materials	Stainless Steel or Aluminium and PTFE, Viton
Process connection	Flowthrough / 2" Tri-clamp / KF40 Flange
Ingress protection	IP 66
Housing material	Anodised aluminium or Stainless Steel
Certification	
Complies with EMC Directive 2004 / 108 / EC. UL/ETL Certification Number: UL-61010-1	

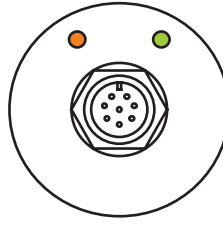


\* Outputs can be factory set to other ranges. Please see order code sheet for details.

M12 Connector Pin Assignment		
Pin	Assignment	Cable Core Colour
1	Not Used (Note 1)	Black
2	Not Used (Note 1)	Brown
3	Analogue Output Ground	Green
4	Serial RS485 (B)	Yellow
5	Serial RS485(A)	Grey
6	Power Ground OVDC	White
7	Power Supply +24VDC	Blue
8	Analogue Output (mA)(Note 1)	Red



### LED functionality

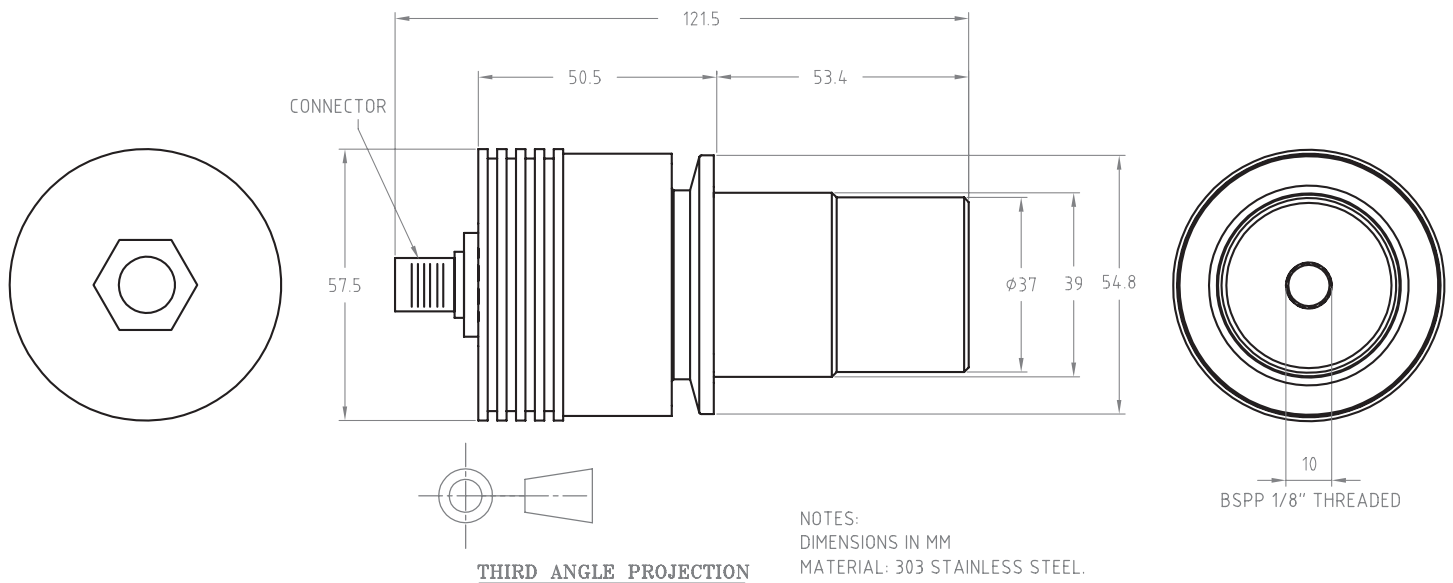


**Orange LED**  
Modbus 485 Indicator

**Green LED**  
Power Indicator

Notes:  
1. Cable cores that are not used must be insulated / heat-shrunked.

## Technical Drawings



## Ordering information

Model	Range	Sensor type	Power supply	Process Connection	Part no
Minox i 201	0 - 25%	Electrochemical: OC-90	24 VDC Loop Powered	Flow Through	05-418
Minox i 200	0 - 25%	Electrochemical: OC-90	24 VDC Loop Powered	Tri-clamp	06-648
Minox i 200	0 - 25%	Electrochemical: OC-90	24 VDC Loop Powered	KF-40	05-549
Minox i 200	0 - 25%	Solid State Ceramic: OC-92	24 VDC Loop Powered	Flow Through	06-095
Minox i 200	0 - 25%	Solid State Ceramic: OC-92	24 VDC Loop Powered	Tri-clamp	06-649
Minox i 200	0 - 25%	Solid State Ceramic: OC-92	24 VDC Loop Powered	KF-40	06-144

## Related Products



**MICROX**  
Oxygen Analyser



**SF82**  
Dew Point Transmitter



**SenzTx**  
Oxygen Transmitter



**Gasenz**  
Ambient O<sub>2</sub> Monitor



**Microx - OL**  
Online O<sub>2</sub> Analyser



**Yellow Box**  
Portable O<sub>2</sub> Analyser



**GazTrak**  
Portable Oxygen & Moisture Measurement